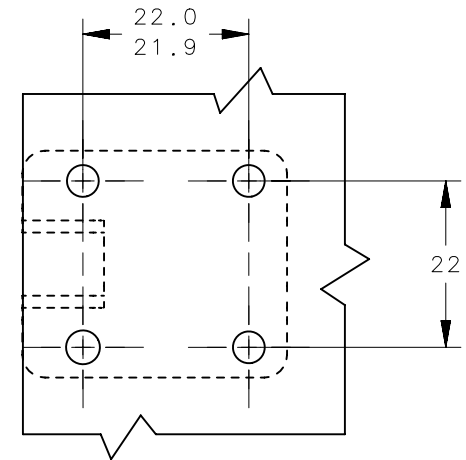
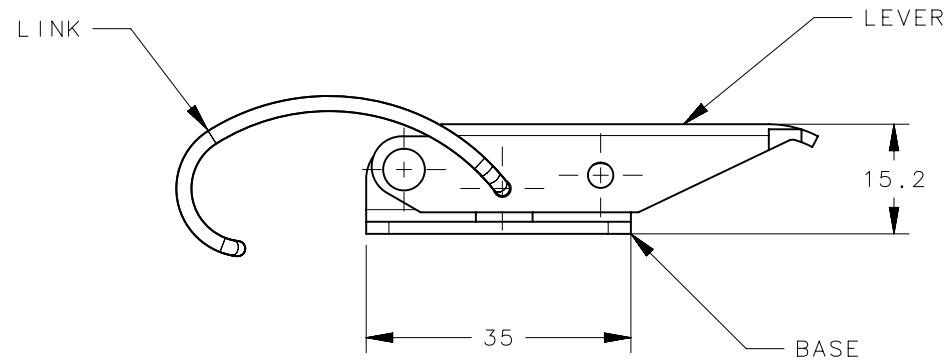
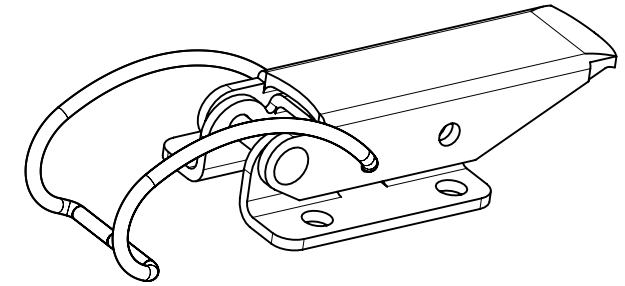
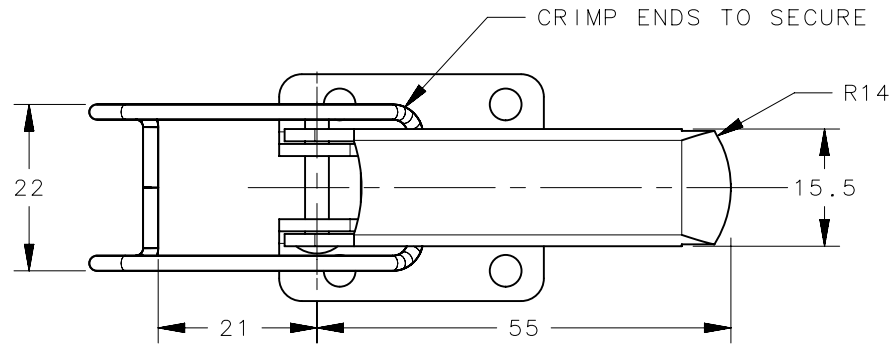


REVISION HISTORY			
REV	DATE	BY	DESCRIPTION
C	17JUL2012	ACH/JCK	PRN: P2012-0942



PANEL PREPARATION

TL-40-105-07	-	-	-	-	-	ZINC PLATE & TRIVALENT PASSIVATE
TL-40-105-13	-	-	-	-	-	ZINC PLATE & BLACK PASSIVATE
TL-40-105-24	-	-	-	-	-	ELECTRO POLISHED
TL-40-105-52	-	-	-	-	-	ELECTRO POLISHED
SOUTHCO PART NUMBER	LEVER/LINK SUB-ASSY	LEVER	LNK No.	BASE No.	RIVET No.	MATERIAL/FINISH

THIRD ANGLE PROJECTION		 CONNECT • CREATE • INNOVATE			
MILLIMETERS [IN]					
TOLERANCES UNLESS OTHERWISE NOTED		DESCRIPTION			
SURFACE AREA		TL - TOGGLE LATCH			
VOLUME		ALL DIMENSIONS WITHOUT TOLERANCES ARE FOR REFERENCE ONLY.			
PROPRIETARY ITEM		SIZE	SYSTEM	DWG NO.	
EXCEPT FOR USES EXPRESSLY GRANTED IN WRITING, INFORMATION DISCLOSED HEREON IS CONFIDENTIAL AND ALL RIGHTS, PATENT AND OTHERWISE, ARE RESERVED BY SOUTHCO, INC.		A4	NX	J-TL-40-105	
PER ASME Y14.5M-1994		DRAWN BY	DATE	SCALE	SHEET
		ACH	09JUL2010	1:1	1 OF 1