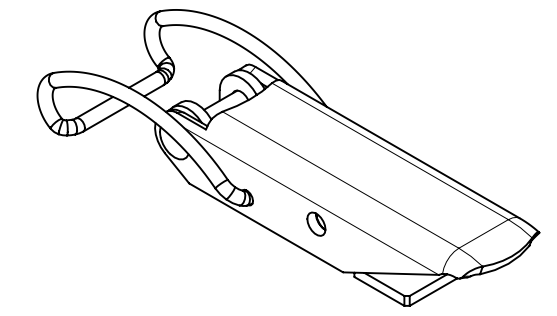
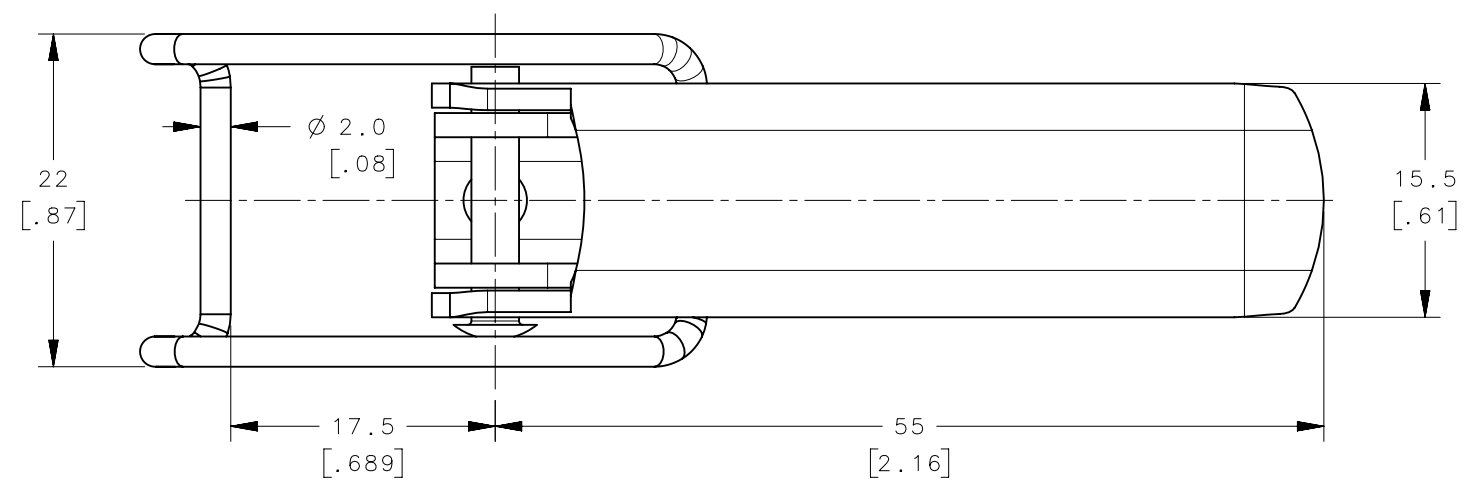
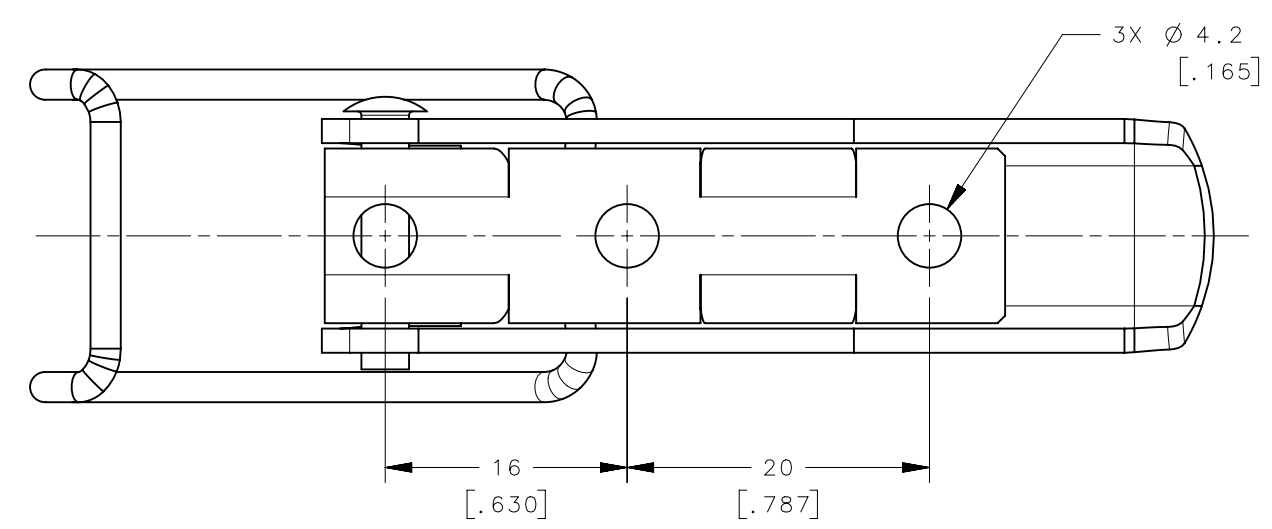
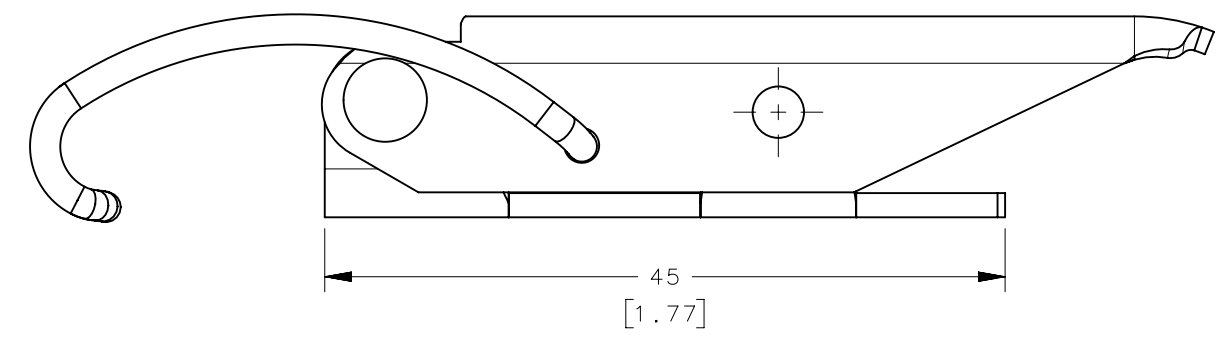
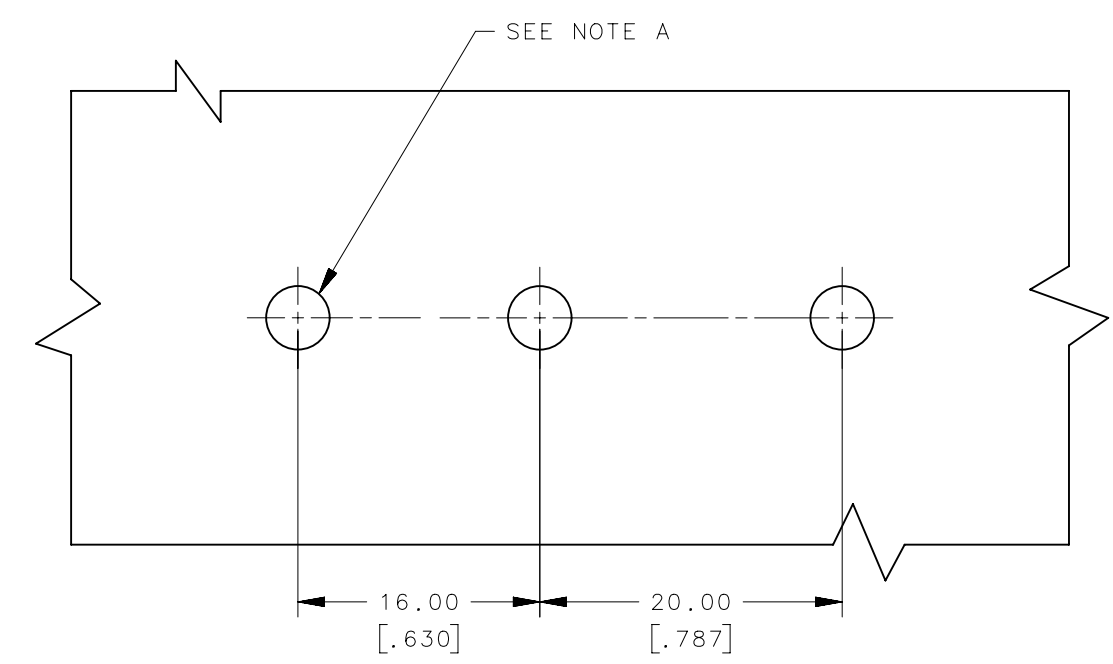


REVISION HISTORY			
REV	DATE	BY	DESCRIPTION
A	20NOV2015	CMS/NJF	PRN: P2015-2345



SCALE 1:1

PANEL PREPARATION



PART NUMBER	MATERIAL	FINISH
TL-40-204-52	304 STAINLESS STEEL	PASSIVATED
TL-40-204-24	316 STAINLESS STEEL	ELECTROPOLISHED
TL-40-204-13	CARBON STEEL	ZINC PLATE & BLACK PASSIVATE
TL-40-204-07	CARBON STEEL	ZINC PLATE & TRIVALENT CHROMATE

THIRD ANGLE PROJECTION				
TOLERANCES UNLESS OTHERWISE NOTED		DESCRIPTION TOGGLE LATCH ASSEMBLY		
ALL DIMENSIONS WITHOUT TOLERANCES ARE FOR REFERENCE ONLY.		SIZE A3	SYSTEM NX	DWG NO. J-TL-40-204
PER ASME Y14.5M-1994		DRAWN BY CMS/NJF	DATE 20NOV2015	SCALE 2:1 SHEET 1 OF 1

NOTES:

A. INSTALL ASSEMBLY WITH M4 (NO.6) ROUND HEAD SCREWS (NOT SUPPLIED) OR 4 (.156) RIVETS.

PROPRIETARY ITEM
EXCEPT FOR USES EXPRESSLY GRANTED IN WRITING, INFORMATION DISCLOSED HEREON IS CONFIDENTIAL AND ALL RIGHTS, PATENT AND OTHERWISE, ARE RESERVED BY SOUTHCO, INC.