



VERSA LATCH 200 SERIES

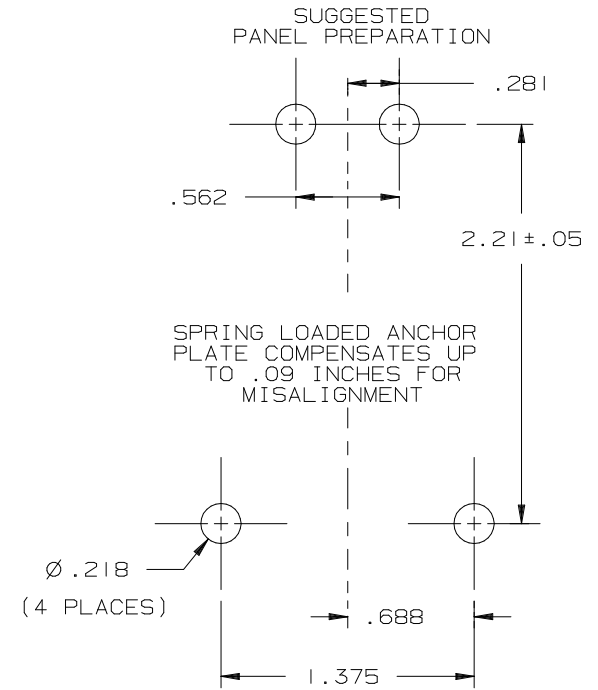
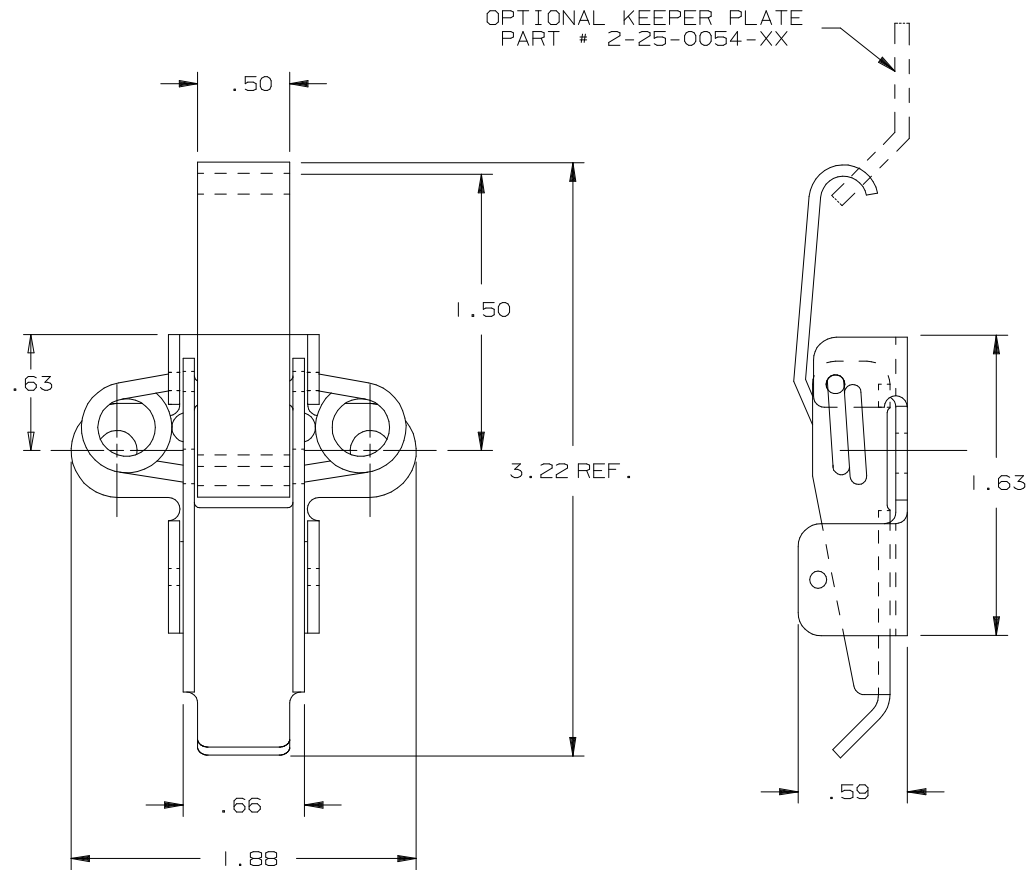
DATE	DRAWN	CHKD	SCALE	DRAWING NUMBER
18SEPT97	JGK		1 : 1	J-V2-0034

REV.	DATE	BY-CHKD	REVISIONS	PART No.	MATERIAL	FINISH			
				V2-0034-07	SEE NOTE "A"	SEE NOTE "B"			
				V2-0034-52	STAINLESS STEEL	NATURAL			

NOTES:

"A": ANCHOR PLATE, LEVER AND BLADE ARE CARBON STEEL, SPRINGS ARE SPRING STEEL.

"B": ZINC PLATE, BRIGHT CHROMATE DIP.



FORMAT A | MAR 94

PROPRIETARY ITEM - EXCEPT FOR USES EXPRESSLY GRANTED IN WRITING INFORMATION DISCLOSED HEREON IS CONFIDENTIAL AND ALL RIGHTS PATENT AND OTHERWISE ARE RESERVED BY SOUTHCO, INC.

ALL DIMENSIONS ARE IN INCHES. ALL DIMENSIONS WITHOUT TOLERANCES ARE FOR REFERENCE ONLY. THIRD ANGLE PROJECTION

DRAWING NUMBER J-V2-0034