

KEYS
SCALE 0.5:1

southco

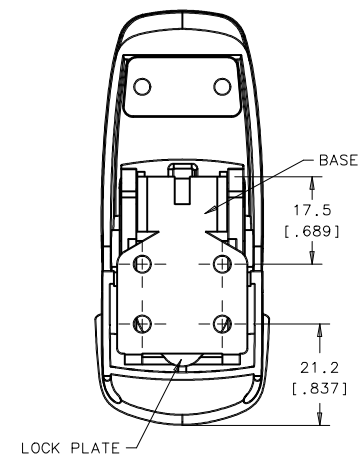
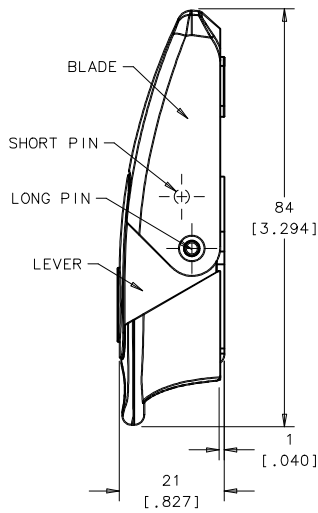
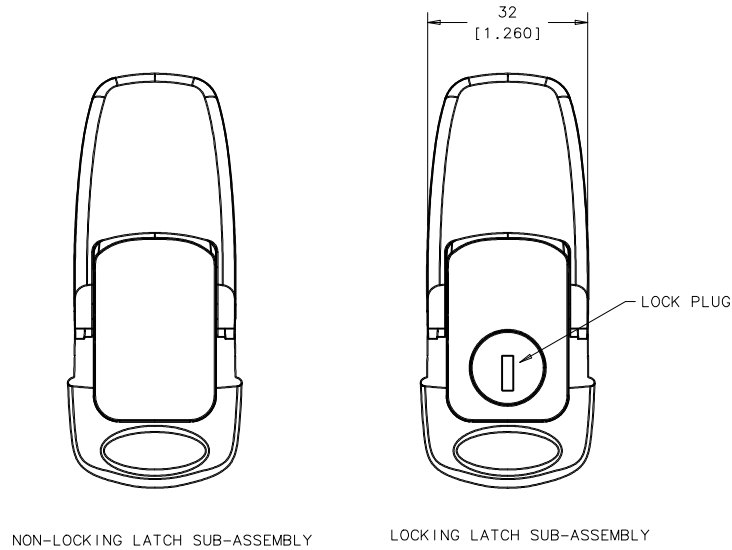
PROPRIETARY ITEM - EXCEPT FOR USES EXPRESSLY GRANTED IN WRITING INFORMATION DISCLOSED HEREON IS CONFIDENTIAL AND ALL RIGHTS PATENT AND OTHERWISE ARE RESERVED BY SOUTHCO, INC.

V7 DRAW LATCH ASSEMBLY

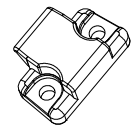
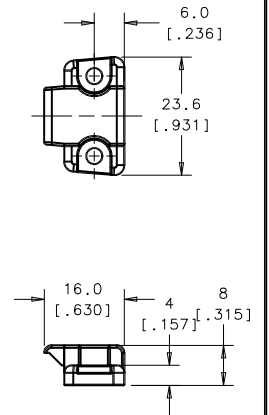
DATE	DRAWN	CHKD	SCALE	DRAWING NUMBER
20APR2004	RC	LJ	1:1	J-V7-2

REV	DATE	DRAWN/CHKD	DESCRIPTION	PART NUMBER	MATERIAL	FINISH
A	09AUG2004	RC/LJ	RELEASED FOR PRODUCTION.	SEE ASSEMBLY P/NO.TABLE	SEE NOTE A	SEE NOTE A
B	22JUN2010	JG	RELEASED FOR PRODUCTION.	SEE ASSEMBLY P/NO.TABLE	SEE NOTE A	SEE NOTE A
C	11NOV2010	JG/LW	PRN: P2010-0678			
D	10JUL2020	CMS/CTG	PRN: P2020-1291			

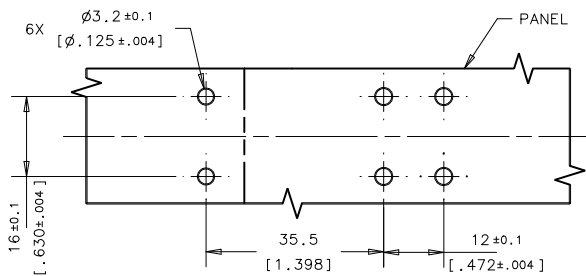
MILLIMETERS	
ALL DIMENSIONS WITHOUT TOLERANCES ARE FOR REFERENCE ONLY.	
	A3 PAPER SIZE



KEEPER



PANEL PREPARATION:



ASSEMBLY P/NO. TABLE:

FINISH	LATCH ASSEMBLY WITH KEEPER		LATCH SUB-ASSEMBLY		KEEPER
	NON-LOCKING	LOCKING	NON-LOCKING	LOCKING	
BRIGHT CHROME	V7-20-101-10	V7-20-111-10	V7-21-101-10	V7-21-111-10	V7-0-40853-10
SATIN CHROME	V7-20-101-20	V7-20-111-20	V7-21-101-20	V7-21-111-20	V7-0-40853-20
BLACK POWDER COATED	V7-20-101-50	V7-20-111-50	V7-21-101-50	V7-21-111-50	V7-0-40853-50

NOTES:

- A. MATERIAL AND FINISH:
 -BLADE, LEVER AND KEEPER: DIE CASTING ZINC, FINISH (SEE ASSEMBLY P/NO. TABLE).
 -BASE, SPRING, SHORT AND LONG PINS, AND LOCK PLATE: STAINLESS STEEL, PASSIVATED;
 -LOCK PLUG WITH STAINLESS STEEL SHUTTER: DIE CASTING ZINC, NATURAL;
 -KEY: DIE CASTING ZINC, NICKEL PLATED.
- B. SOUTHCO RECOMMENDS MOUNTING LATCH WITH 4 PIECES OF M3 FLAT HEAD SCREWS AND THE KEEPER WITH 2 PIECES OF M3 ROUND HEAD SCREWS. LENGTH OF SCREWS DEPENDS ON THE PANEL THICKNESS.
- C. MOUNTING SCREWS ARE NOT PROVIDED BY SOUTHCO.
- D. TWO KEYS ARE SHIPPED WITH LOCKING VERSION.