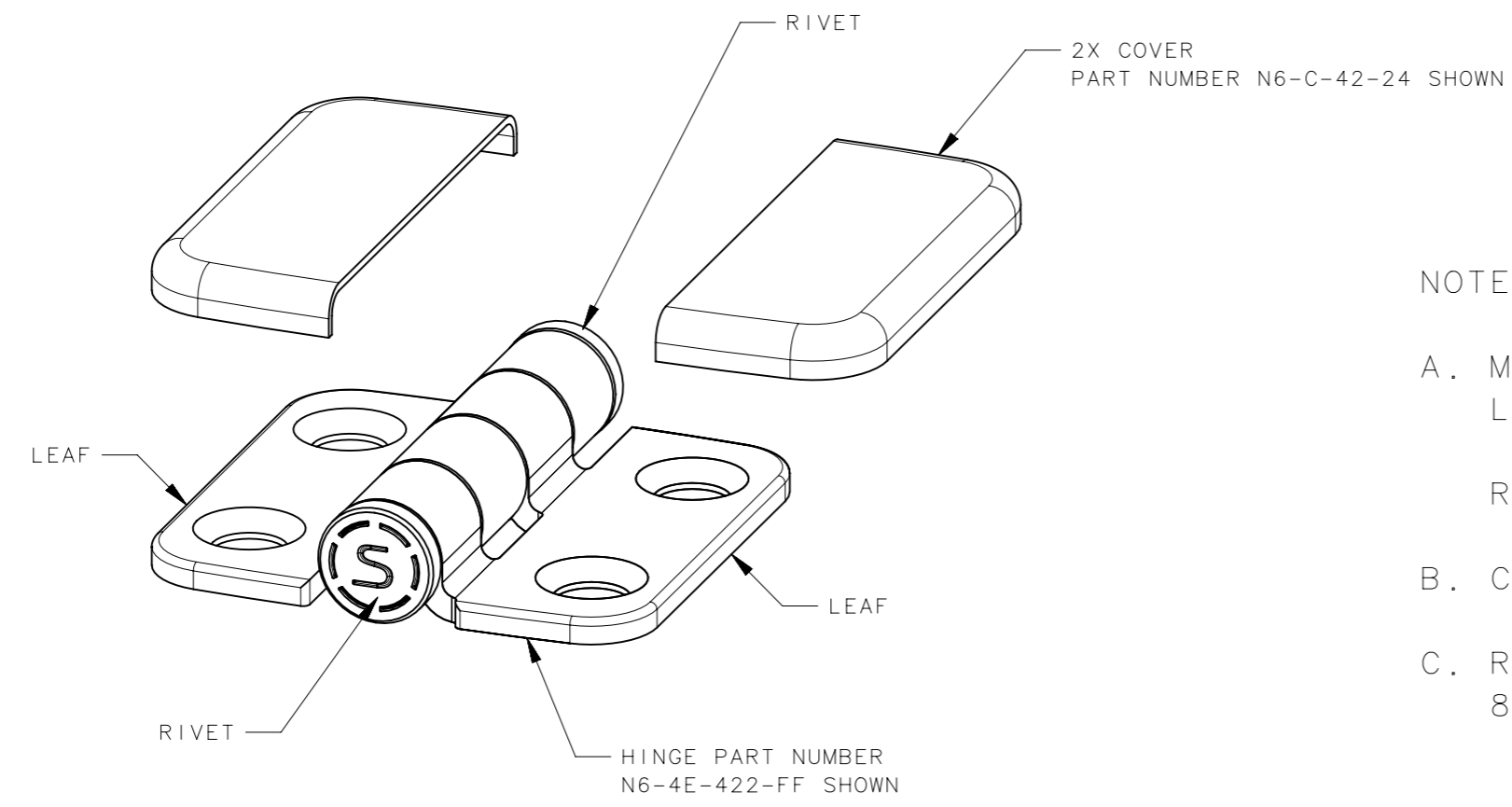


REVISION HISTORY			
REV	DATE	BY	DESCRIPTION
B	18AUG2014	ASM/ACH	PRN: P2014-1634

# PART NUMBER: N6-4E-4L<sub>1</sub>L<sub>2</sub>-FF

FINISH  
 20 = 304 STAINLESS STEEL, PASSIVATED  
 24 = 316 STAINLESS STEEL, HIGH GLOSS FINISH

LEAF LENGTH FOR L<sub>1</sub> AND L<sub>2</sub>  
 2 = 19mm  
 4 = 39mm  
 6 = 59mm

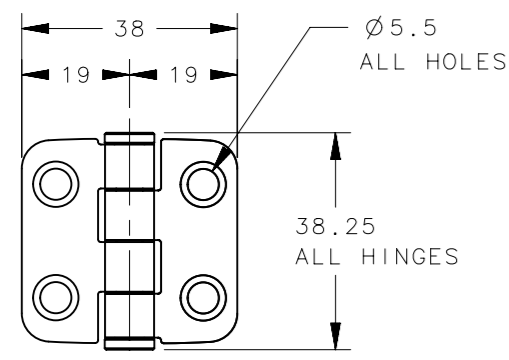


### NOTES:

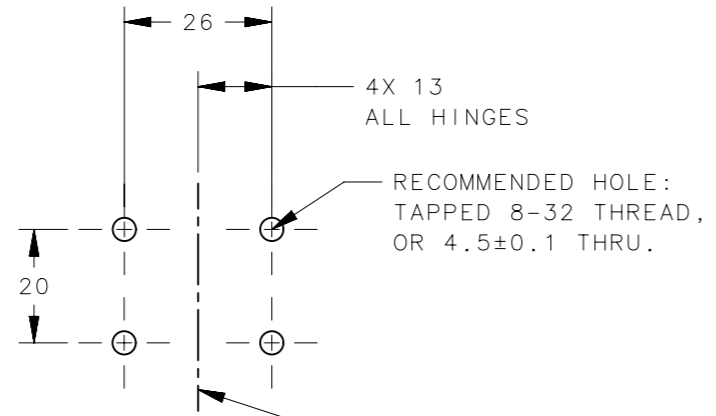
- A. MATERIALS:  
 LEAVES - FF = 20, 304 STAINLESS STEEL  
           FF = 24, 316 STAINLESS STEEL  
 RIVETS - 302 STAINLESS STEEL
- B. COVERS SOLD SEPARATELY, SEE PAGE 3.
- C. RECOMMENDED MOUNTING HARDWARE:  
 8-32, FLAT HEAD SCREW.

PROPRIETARY ITEM EXCEPT FOR USES EXPRESSLY GRANTED IN WRITING, INFORMATION DISCLOSED HEREON IS CONFIDENTIAL AND ALL RIGHTS, PATENT AND OTHERWISE, ARE RESERVED BY SOUTHCO, INC.	THIRD ANGLE PROJECTION	<b>southco</b> <sup>®</sup> CONNECT • CREATE • INNOVATE		
	MILLIMETERS [IN]	DESCRIPTION N6 CURVED HINGE ASSEMBLY		
	TOLERANCES UNLESS OTHERWISE NOTED	SIZE A3	SYSTEM NX	DWG NO. J-N6-4E
	ALL DIMENSIONS WITHOUT TOLERANCES ARE FOR REFERENCE ONLY. PER ASME Y14.5M-1994	DRAWN BY ACH/DJK	DATE 04MAR2013	SCALE 2:1

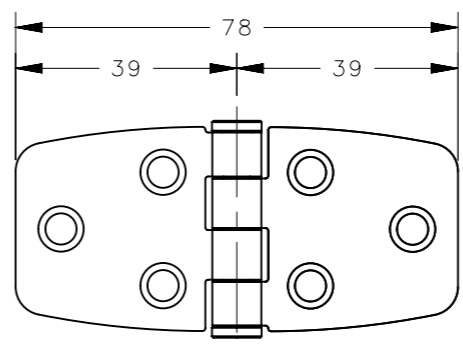
REVISION HISTORY			
REV	DATE	BY	DESCRIPTION
B	18AUG2014	ASM/ACH	PRN: P2014-1634



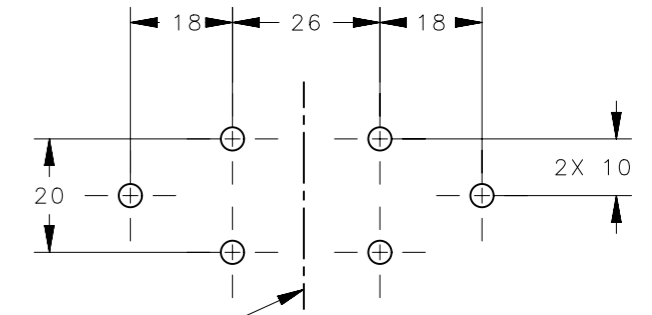
P/N: N6-4E-422-FF



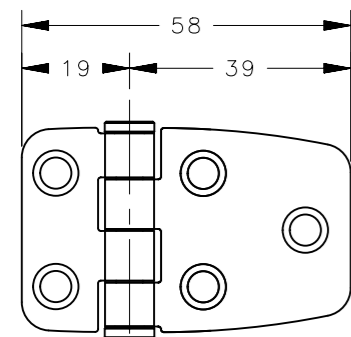
PANEL PREPARATION DOOR/FRAME CENTER LINE



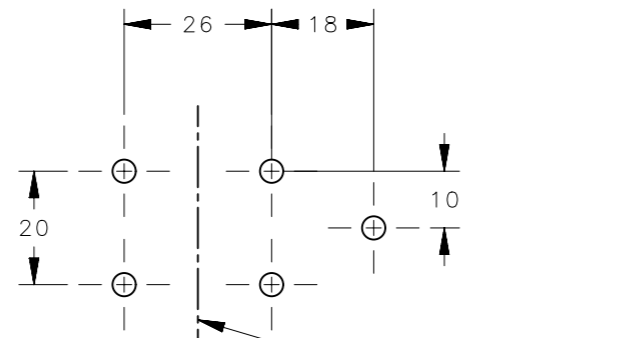
P/N: N6-4E-444-FF



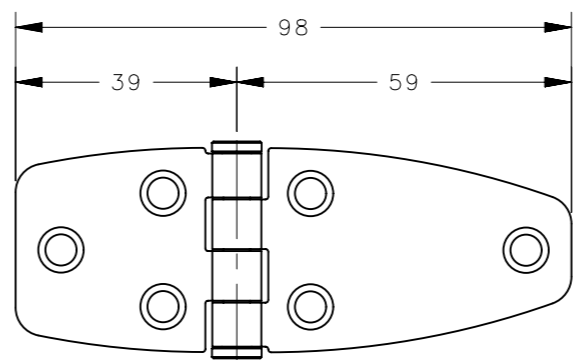
DOOR/FRAME CENTER LINE PANEL PREPARATION



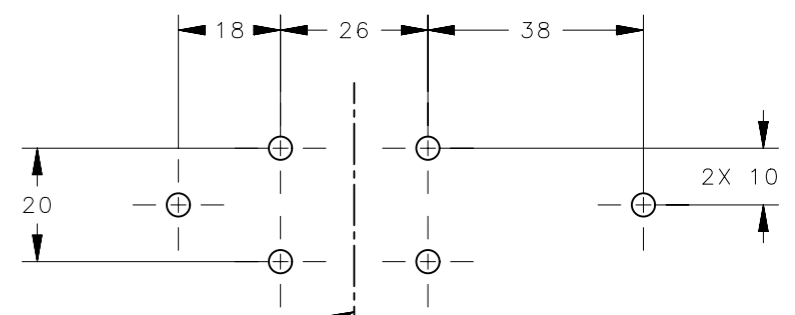
P/N: N6-4E-424-FF



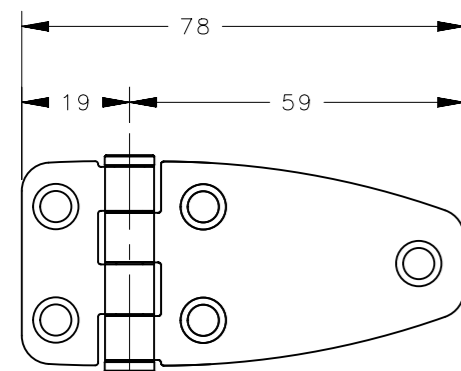
PANEL PREPARATION DOOR/FRAME CENTER LINE



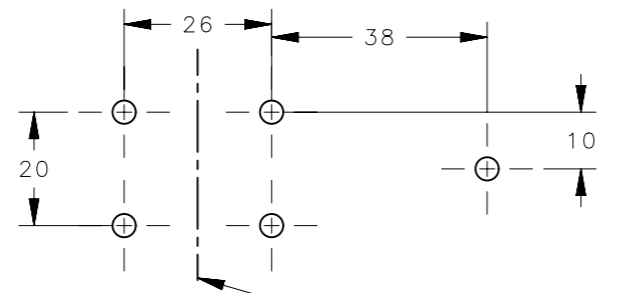
P/N: N6-4E-446-FF



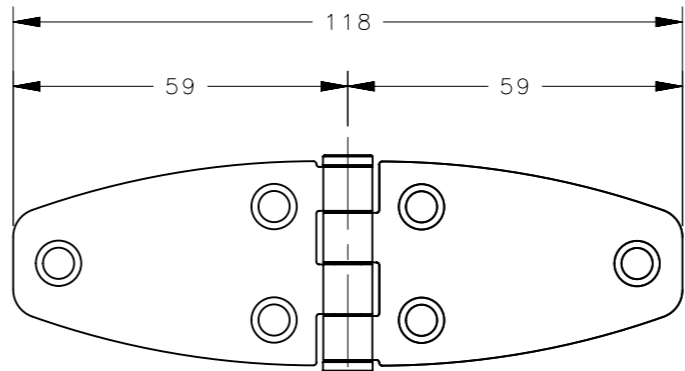
DOOR/FRAME CENTER LINE PANEL PREPARATION



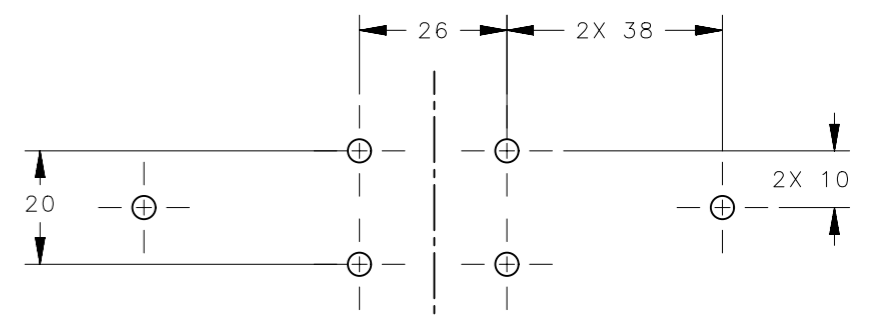
P/N: N6-4E-426-FF



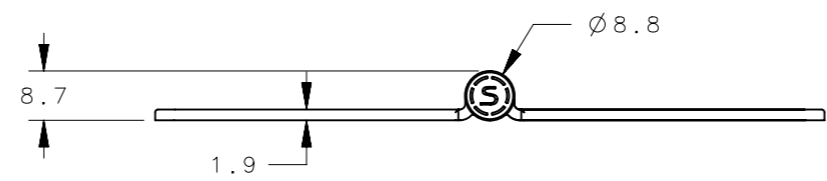
PANEL PREPARATION DOOR/FRAME CENTER LINE



P/N: N6-4E-466-FF



DOOR/FRAME CENTER LINE PANEL PREPARATION

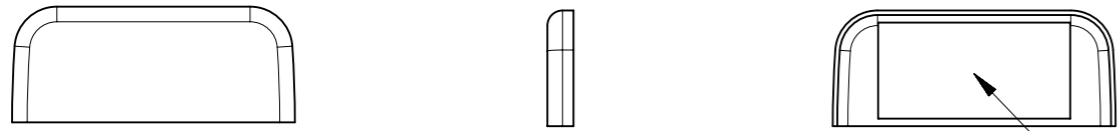


THIRD ANGLE PROJECTION			
MILLIMETERS [IN]			
TOLERANCES UNLESS OTHERWISE NOTED		DESCRIPTION	
DIMENSIONS WITHOUT TOLERANCES FOR REF. ONLY		N6 CURVED HINGE ASSEMBLY	
PROPRIETARY ITEM EXCEPT FOR USES EXPRESSLY GRANTED IN WRITING, INFORMATION DISCLOSED HEREON IS CONFIDENTIAL AND ALL RIGHTS, PATENT AND OTHERWISE, ARE RESERVED BY SOUTHCO, INC.		SIZE	DWG NO.
ALL PANEL PREP POSITION TOLERANCES ±0.3 PER ASME Y14.5M-1994		A3	NX
		DRAWN BY	DATE
		ACH/DJK	04MAR2013
		SCALE	SHEET
		0.75:1	2 OF 3

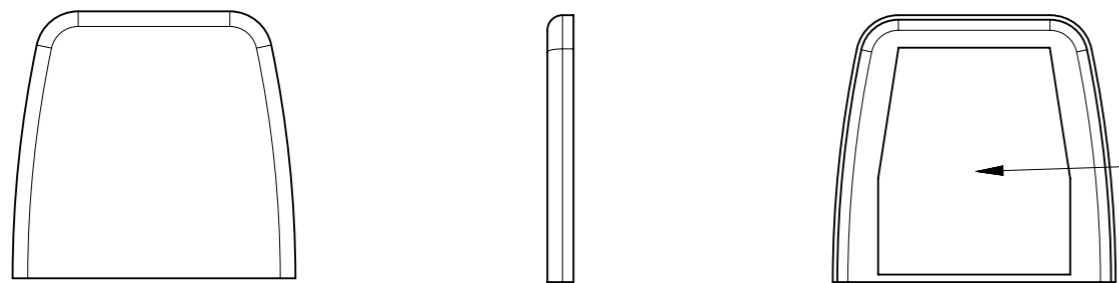
COVERS SOLD SEPARATELY

REVISION HISTORY			
REV	DATE	BY	DESCRIPTION
B	18AUG2014	ASM/ACH	PRN: P2014-1634

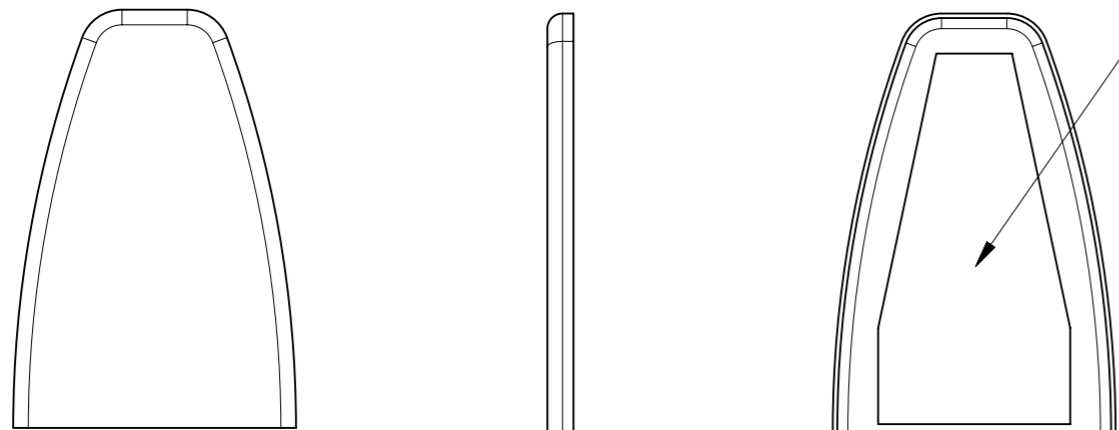
FOR USE WITH SMALL LEAF: PART NUMBER N6-C-42-24



FOR USE WITH MEDIUM LEAF: PART NUMBER N6-C-44-24



FOR USE WITH LARGE LEAF: PART NUMBER N6-C-46-24



PRESSURE SENSATIVE ADHESIVE

NOTES:

- A. MATERIAL AND FINISH: 316 STAINLESS STEEL, HIGH GLOSS FINISH
- B. INSTALLATION INSTRUCTIONS:
  1. INSTALL HINGE WITH RECOMMENDED FLAT HEAD SCREWS.
  2. CLEAN HINGE LEAF SURFACE THOROUGHLY TO REMOVE ANY DIRT, OIL OR GREASE.
  3. REMOVE BACKING FROM PRE-APPLIED ADHESIVE. PLACE COVER OVER LEAF. PRESS FIRMLY TO ACTIVATE ADHESIVE.

THIRD ANGLE PROJECTION	 CONNECT • CREATE • INNOVATE		
TOLERANCES UNLESS OTHERWISE NOTED	DESCRIPTION N6 CURVED HINGE ASSEMBLY		
ALL DIMENSIONS WITHOUT TOLERANCES ARE FOR REFERENCE ONLY.	SIZE A3	SYSTEM NX	DWG NO. J-N6-4E
PROPRIETARY ITEM <small>EXCEPT FOR USES EXPRESSLY GRANTED IN WRITING, INFORMATION DISCLOSED HEREON IS CONFIDENTIAL AND ALL RIGHTS, PATENT AND OTHERWISE, ARE RESERVED BY SOUTHCO, INC.</small>	PER ASME Y14.5M-1994	DRAWN BY ACH/DJK	DATE 04MAR2013
		SCALE 1:1	SHEET 3 OF 3