



## 24 Cam Latch

### Flush T-handle · Adjustable grip

- **Concealed mounting type**

#### Material and Finish

Zinc alloy and steel, zinc plated or stainless steel

#### Performance Details

Maximum static load:  
445 N (100 lbf)

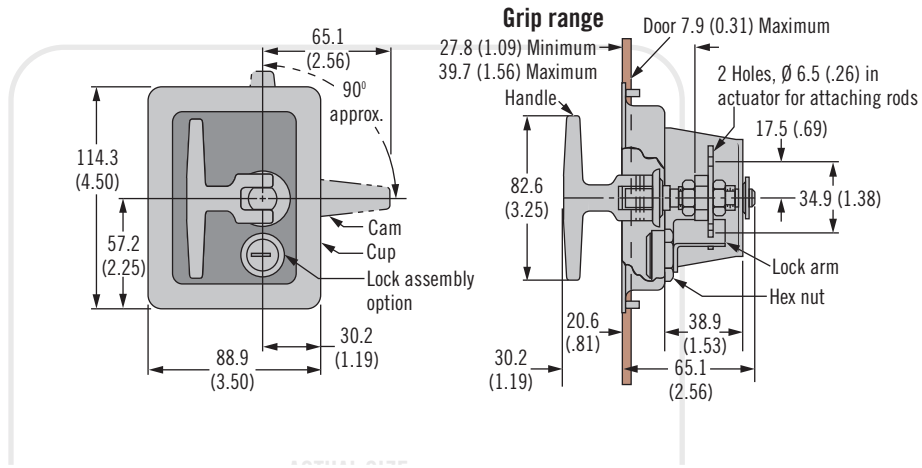
#### Installation Notes

Maximum tightening torque of mounting nuts not to exceed 2.8 N·m (25 in·lbf)

#### Keys

See page 120 and 169-175

*Other options available. For complete details on variety, part numbers, installation and specification, go to*



Part Number		
Style	With Mounting Studs	
	Cup and bracket polished stainless steel. Handle zinc chrome plated	Cup and bracket steel dactrotized. Handle zinc dactrotized
Locking keyed alike CH751 supplied	24-20-812-35	24-20-812-10
Non-locking	24-20-302-35	24-20-302-10
Non-locking environmentally sealed	24-20-312-35	24-20-312-10



## 69 Cam Latch

### Arrowhead · Detent design · Adjustable grip

- Arrow indicates cam orientation
- Single hole installation
- Detented design
- Adjustable grip

#### Material and Finish

Nylon and steel, zinc plated

#### Performance Details

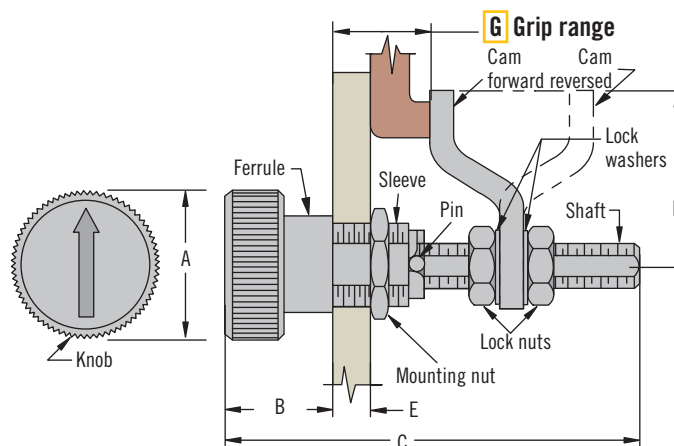
Small size working load:  
44 N (10 lbf)

Medium size working load:  
220 N (50 lbf)

Large size working load:  
330 N (75 lbf)

*Other options available. For complete details on variety, part numbers, installation and specification, go to*

[www.southco.com/69](http://www.southco.com/69)



Size	Part Number	Grip Range		A	B	C	D	E
		Minimum	Maximum					
Small	69-10-301-11	4 (.16)	28.2 (1.11)	12.7 (.50)	12.7 (.50) Max.	38.1 (1.50)	13.5 (.53)	4.75 (.188)
Medium	69-10-401-11	3.2 (.13)	33.3 (.13)	19.1 (.75)	17.5 (.69) Max.	47.5 (1.87)	15.9 (.63)	6.35 (.25)
Large	69-10-501-11	4.8 (.19)	61.9 (2.44)	28.6 (1.13)	25.4 (1) Max.	79.2 (3.12)	34.1 (1.34)	12.7 (.50)

Dimensions in millimeters (inch) unless otherwise stated