



56 Spring-Loaded Plunger

Lever Actuated · Press-in and Flare-in Styles · Small Size

- Simplified positioning of sliding components
- Quick-release lever for fast installation and removal of components
- Designate access with color

Material and Finish

Stud: Steel, hardened, zinc plated, chromate plus sealer
 Ferrule: Steel, zinc plated, chromate plus sealer
 Spring and Rivet: 300 series stainless steel, passivated
 Lever: Glass-filled nylon, UL94-V0 Rated
 Washer: PC/ABS, UL94-V0 Rated

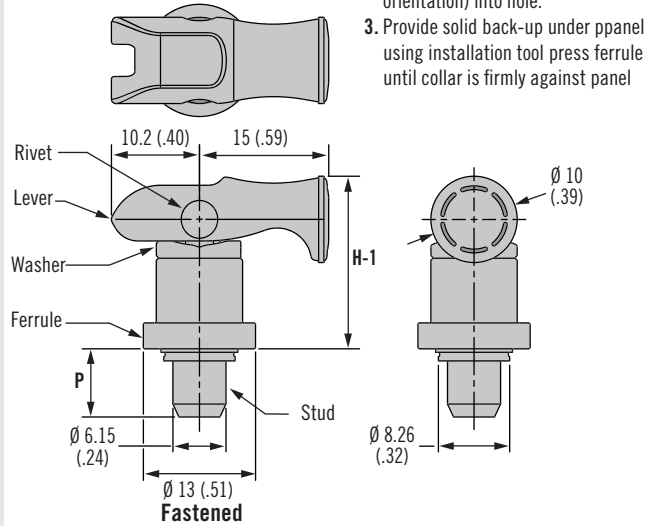
Part Number

See table

Specifying Prism Color

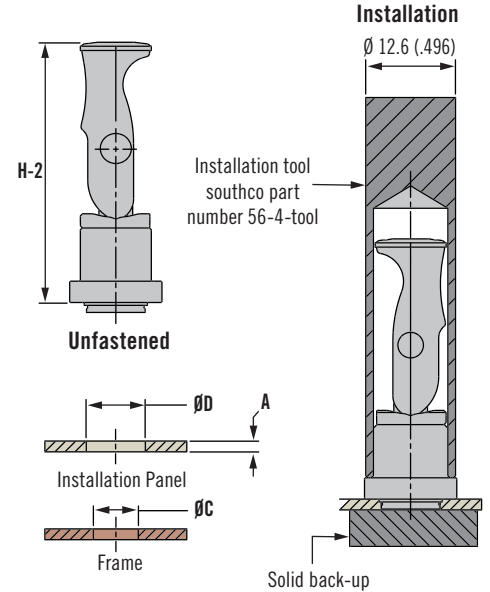
To indicate color, change the last three digits of the part number.
 Example: 56-461-000, black; 56-461-013, red

Press-in Style

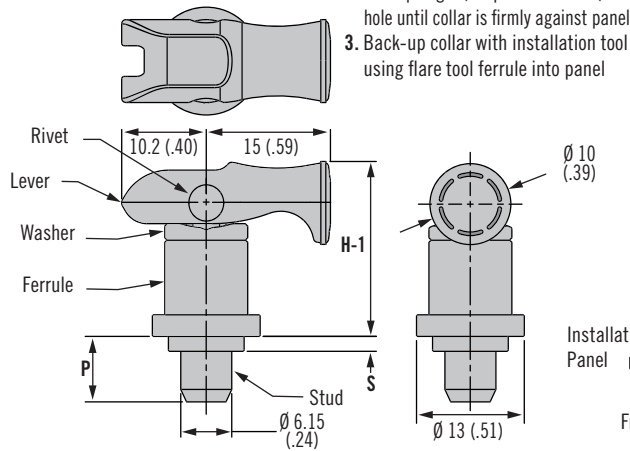


Installation:

1. Prepare hole in panel.
2. Place plunger (in unfastened orientation) into hole.
3. Provide solid back-up under ppanel using installation tool press ferrule until collar is firmly against panel



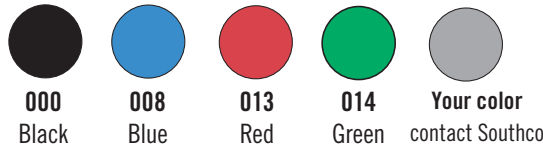
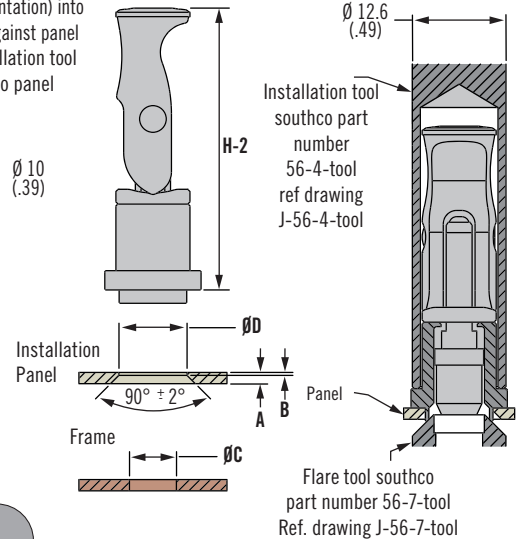
Flare-in Style



Installation:

1. Prepare hole in Panel.
2. Place plunger (in open orientation) into hole until collar is firmly against panel
3. Back-up collar with installation tool using flare tool ferrule into panel

Unfastened



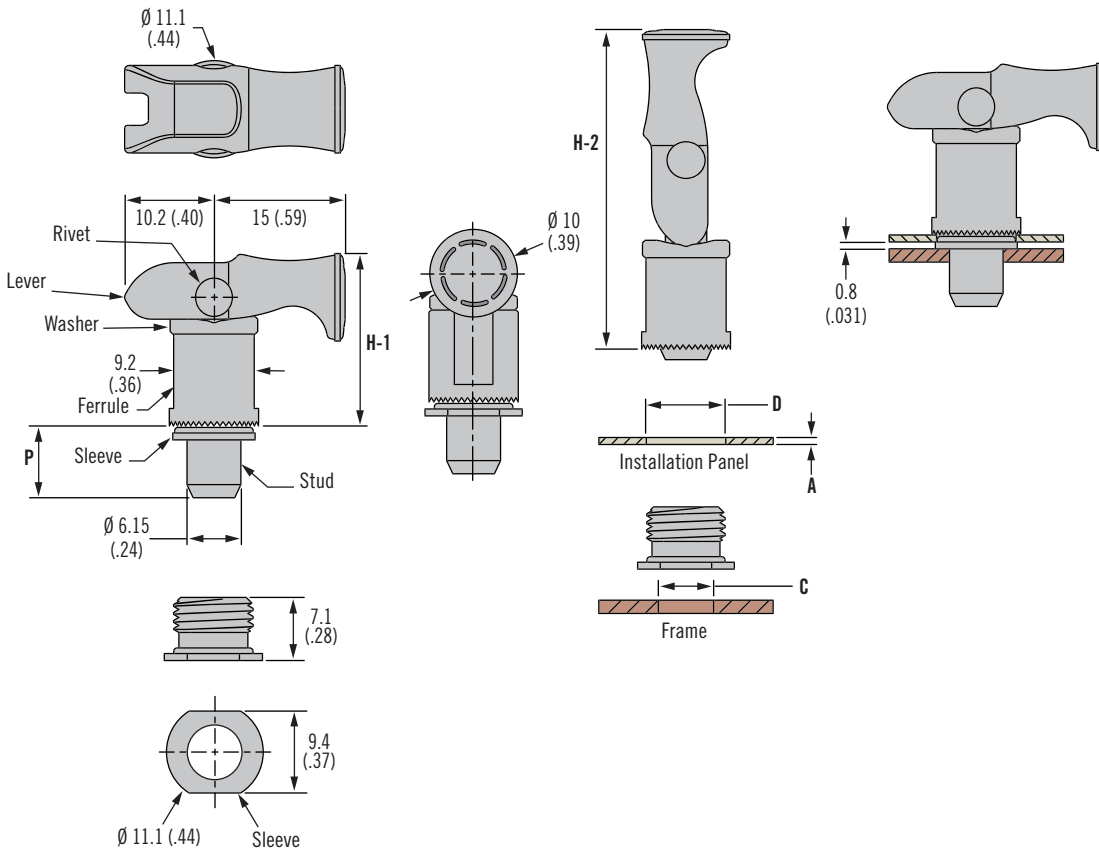
(shown in table)

Outer Panel		P	B	S	Installation	Part Number	H-1	H-2	Ø D	Ø C
A Min.	A Max.									
1.52 (.06)	3.8 (.15)	8 (.31)	-	-	Press-in	56-461-000	20 (.79)	36.7 (1.44)	8.33 ^{+0.07} _{-0.0} (.328 ^{+0.003} _{-.000})	6.35 ^{+0.07} _{-0.0} (.250 ^{+0.003} _{-.000})
1.52 (.06)	3.18 (.125)	8 (.31)	0.4 (.02)	1.8 (.07)	Flare-in	56-471-1-000	21.1 (.83)	38.1 (1.5)	9.2 ^{+0.1} _{-0.0} (.362 ^{+0.004} _{-.000})	
3.18 (.125)	4.7 (.185)	9.5 (.37)	1.9 (.08)	3.3 (.13)	Flare-in	56-471-2-000	19.6 (.77)	36.6 (.90)	9.12 ⁺⁰ _{-0.008} (.359 ⁺⁰ _{-.003})	
0.8 (.031)	3.2 (.125)	8.2 (.32)	-	-	Thread-in	56-481-000	19.7 (.78)	36.7 (1.44)		

56 Spring-Loaded Plunger Lever Actuated · Thread-in Style · Small Size



Thread-in Style

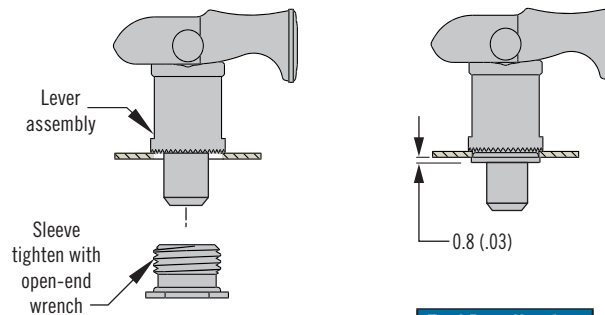
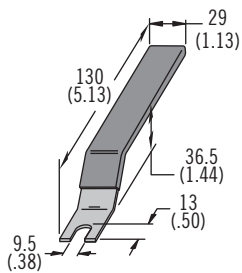


- Simplified positioning of sliding components
- Quick-release lever for fast installation and removal of components
- Designate access with color

Material and Finish

Stud: Steel, hardened, zinc plated, chromate plus sealer
 Ferrule and Sleeve: Steel, zinc plated, chromate plus sealer
 Spring and Rivet: 300 series stainless steel, passivated
 Lever: Glass-filled nylon, UL94-V0 Rated
 Washer: PC/ABS, UL94-V0 Rated

Installation tool



Tool Part Number

56-0-22041-04

Part Number

See table



56 Spring-Loaded Plunger

Lever Actuated Flare-in mini size

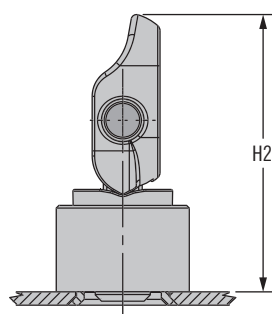
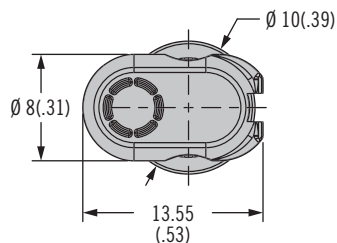
- Simplified positioning of sliding components
- Quick-release lever for fast installation and removal of components
- Designate access with colour

Material and Finish

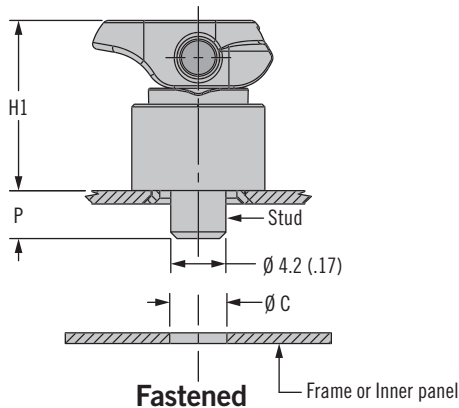
Stud: zinc alloy
 Ferrule: Aluminum
 Spring and Rivet: 300 series stainless steel, passivated
 Lever: Glass-filled nylon, UL94V0 Rated
 Washer: Glass-filled nylon, UL94V0 Rated

Part Number

See table



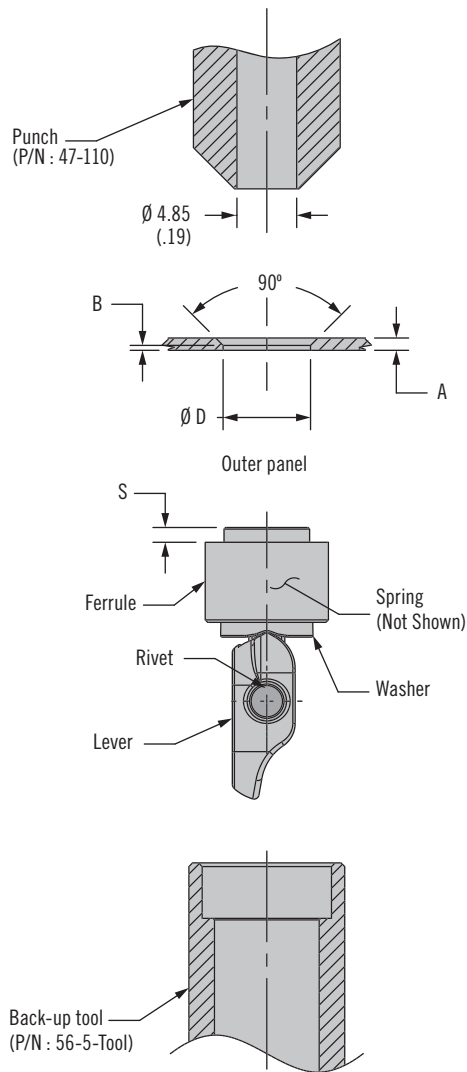
Unfastened



Fastened

Frame or Inner panel

Lever Actuated Flare-in mini size Installation



Lever Actuated Flare-in mini size

Outer Panel		P	B	S	Installation	Part Number Hod-Open	H1	H2	Ø D	Ø C
A Min.	A Max.									
1 (.039)	1.2 (.047)	3.6 (.142)	0.4 (.016)	1.2 (.047)	Flare-In	56-421-11-000	12.8 (.5)	20.85 (.82)	7.1 +0.08/-0 (.28 +.003/-0)	4.3 +0.08/-0 (.169 +.003/-0)



000
Black



008
Blue



013
Red



014
Green



Your color
(contact Southco)

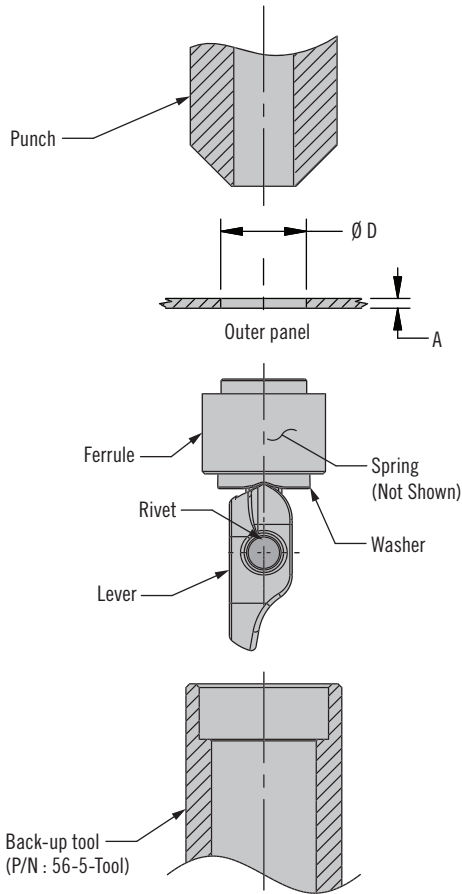
56 Spring-Loaded Plunger

Press-in mini size and SMT mini size

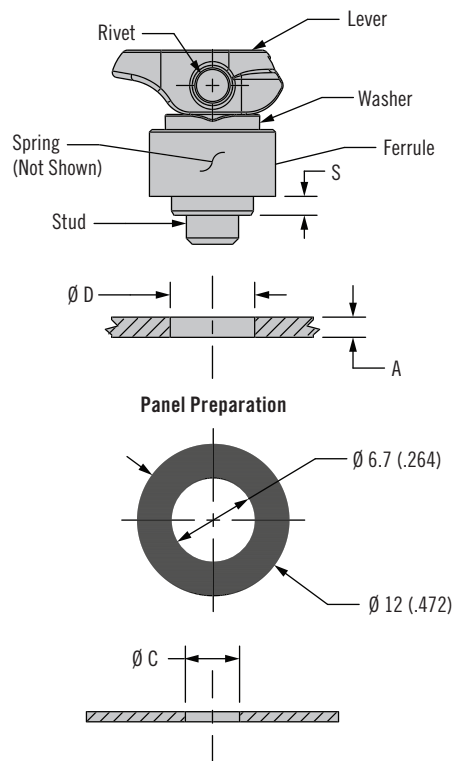


501B

Lever Actuated Press-in mini size Installation



Lever Actuated SMT Mini Size Installation



- Simplified positioning of sliding components
- Quick-release lever for fast installation and removal of components
- Designate access with colour

Material and Finish

Stud: zinc alloy
 Ferrule: Steel, zinc plated,
 Spring and Rivet: 300 series stainless steel, passivated
 Lever: Glass-filled nylon, UL94V0 Rated
 Washer: Glass-filled nylon, UL94V0 Rated

Lever Actuated Press-in mini size

Outer Panel		P	Installation	Part Number		H1	H2	Ø D	Ø C
A Min.	A Max.			Hod-Open					
0.8 (.031)	1.2 (.047)	3.4 (.134)	Press-In	56-411-1-000	12 (.472)	20.05 (.807)	7 +0.08/-0 (.276 +.003/-0)	4.3 +0.08/-0 (.169 +.003/-0)	

Lever Actuated SMT Mini Size

Outer Panel		P	B	S	Installation	Part Number		H1	H2	Ø D	Ø C
A Min.	A Max.					Hod-Open					
1.6 (.063)	2.2 (.09)	3.8 (.15)	/	1.5 (.059)	SMT	56-4A1-1-000		11.6 (.457)	19.65 (.774)	6.7 +0.1/-0 (.263 +.004/-0)	4.3 +0.08/-0 (.169 +.003/-0)
2.2 (.09)	2.8 (.11)	4.8 (.19)	/	1.5 (.059)	SMT	56-4A1-2-000					



56 Spring-Loaded Plunger

Flare-in style – Miniature, Small and Large

- Simplified positioning of sliding components
- Quick-release hinge for removable door
- Fast installation and removal of components
- Designate access with color

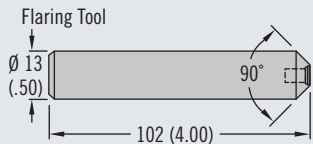
Material and Finish

End cap: Steel, zinc plated, chromate, plus sealer
 Ferrule: Aluminum, natural
 Stud: Steel, hardened, zinc plated, chromate, plus sealer
 Knob: (Prism plungers only)
 PC/ABS, UL94-V0 Rated
 Spring: 300 series stainless steel, passivated

Installation Notes

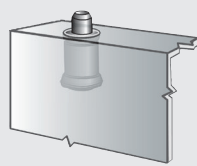
Press with approximately 2,500 N (562 lbf) (Large and Small), 2,000 N (450 lbf) (Mini) until ferrule is flared into the countersink in the panel.
 A solid back-up tool must be used for proper installation

Install Tool

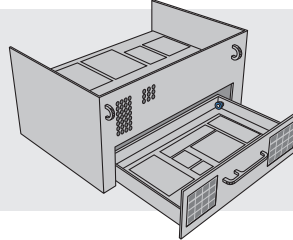


Applications

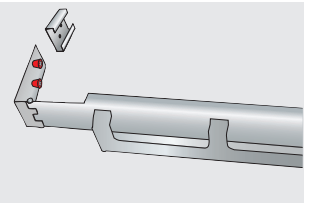
Retractable Hinge



Positioning / Secondary Catch

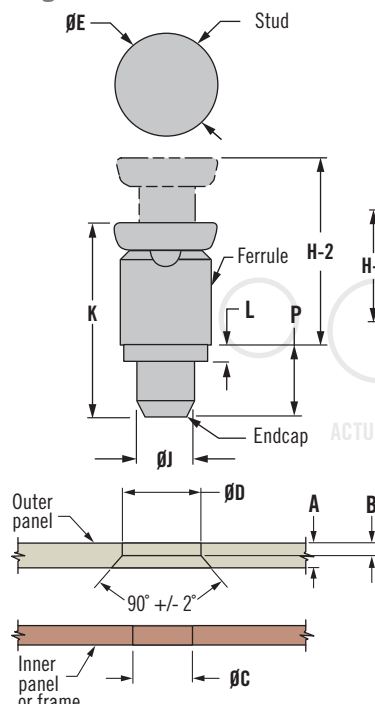


Quick Installation

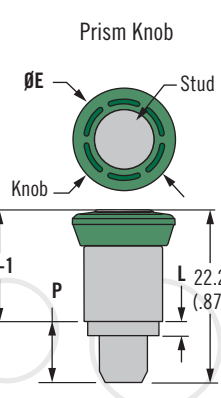


Flare-in style

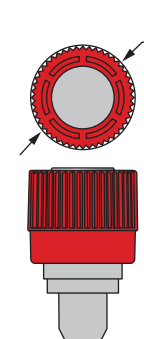
Bright - Miniature and Small



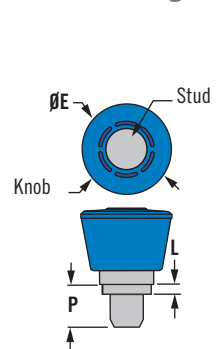
Prism - Miniature and Small



4C-Prism Knob

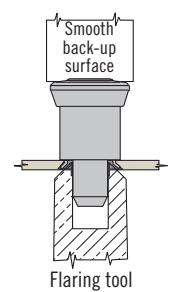


Prism - Large



Color selection options:

- 000 Black (shown in table)
- 008 Blue
- 013 Red
- 014 Green
- Your color contact Southco



Part number:
 47-110 (Miniature)
 56-7-TOOL (Large and Small)

Part Number

See table

Specifying Prism Color

To indicate color, change the last three digits of the part number.
 Example:
 56-161-000, black
 56-161-013, red

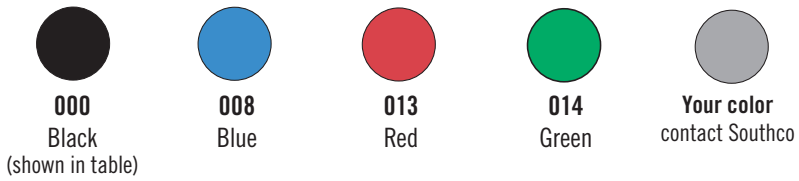
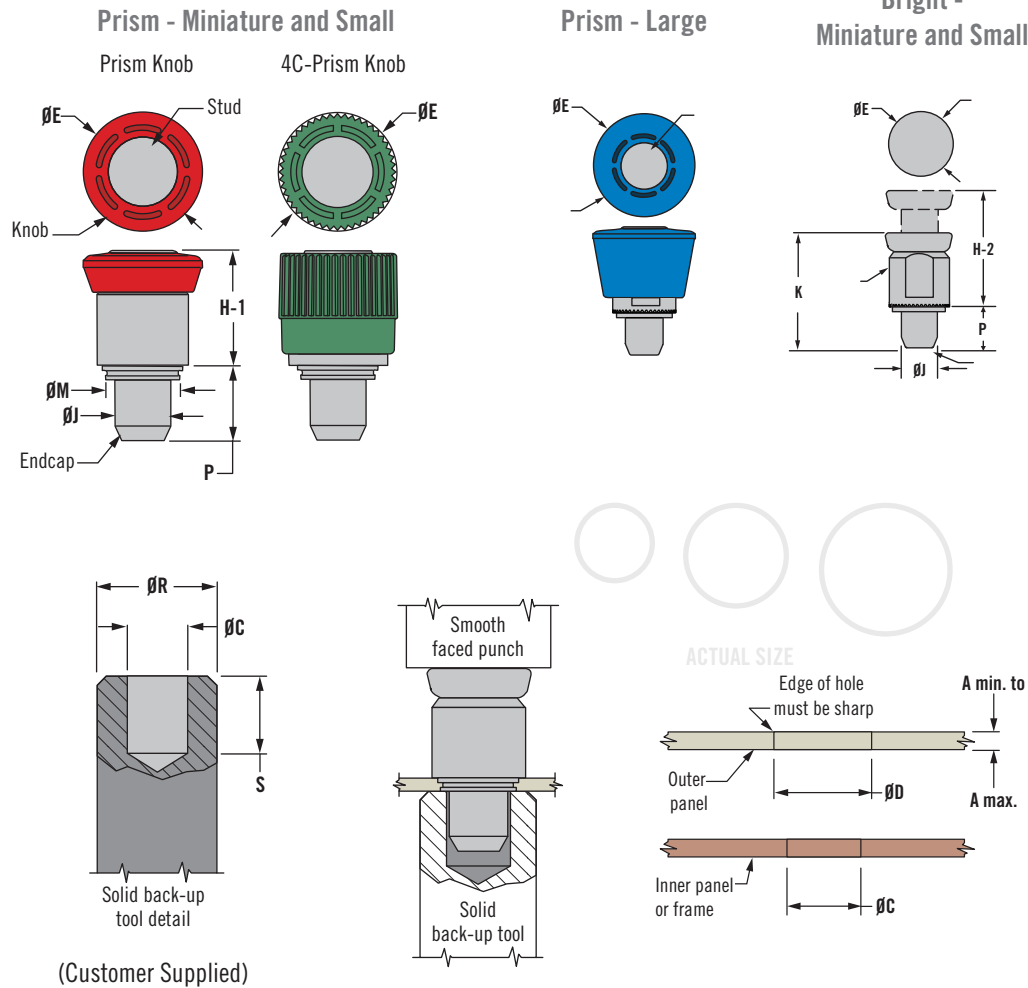
Outer Panel Thickness	A Min.	A Max.	P	Size	Knob Style	Part Number		H-1	H-2	ø E	K	L	B	ø J	ø D	ø C
						Hold-Open	Without									
0.8 (.031)	1.5 (.06)	4.4 (.17)	4.4 (.17)	Mini	Bright	56-21-1-15	56-20-1-15	9.9 (.39)	13.6 (.54)	8.5 (.33)	14.3 (.56)	1.0 (.04)	0.41 (.016)	4.29 (.169) MAX	6.76 ^{+0.1} _{0.0}	4.3 ^{+0.13} _{0.0}
					Prism	56-121-1-000	56-120-1-000	10.6 (.42)	14.3 (.56)	9 (.35)	15 (.59)					
					4C-Prism	56-321-1-000	56-320-1-000	10.6 (.42)	14.3 (.56)	9 (.35)	15 (.59)					
					Bright	56-21-2-15	56-20-2-15	9.1 (.36)	12.8 (.50)	8.5 (.33)	14.3 (.56)					
					Prism	56-121-2-000	56-120-2-000	9.8 (.39)	13.5 (.53)	9 (.35)	15 (.59)					
					4C-Prism	56-321-2-000	56-320-2-000	9.8 (.39)	13.5 (.53)	9 (.35)	15 (.59)					
1.5 (.06)	2.3 (.09)	5.2 (.20)	5.2 (.20)	Small	Bright	56-71-1-15	56-70-1-15	13.7 (.54)	19.8 (.78)	11.5 (.45)	21.5 (.85)	1.78 (.07)	0.41 (.016)	6.33 (.249)	9.19 ^{+0.08} _{0.0}	6.4 ^{+0.1} _{0.0}
					Prism	56-171-1-000	56-170-1-000	14.5 (.57)	20.5 (.81)	13.3 (.52)	22.2 (.87)					
					4C-Prism	56-371-1-000	56-370-1-000	14.5 (.57)	20.5 (.81)	13.3 (.52)	22.2 (.87)					
					Bright	56-71-2-15	56-70-2-15	12.2 (.48)	18.2 (.72)	11.5 (.45)	21.5 (.85)					
					Prism	56-171-2-000	56-170-2-000	12.9 (.51)	19 (.75)	13.3 (.52)	22.2 (.87)					
					4C-Prism	56-371-2-000	56-370-2-000	12.9 (.51)	19 (.75)	13.3 (.52)	22.2 (.87)					
1.52 (.06)	3.17 (.125)	7.9 (.31)	7.9 (.31)	Large	Bright	56-71-1-15	56-70-1-15	13.7 (.54)	19.8 (.78)	11.5 (.45)	21.5 (.85)	3.3 (.13)	1.52 (.06)	6.33 (.249)	9.19 ^{+0.08} _{0.0}	6.4 ^{+0.1} _{0.0}
					Prism	56-171-1-000	56-170-1-000	14.5 (.57)	20.5 (.81)	13.3 (.52)	22.2 (.87)					
					4C-Prism	56-371-1-000	56-370-1-000	14.5 (.57)	20.5 (.81)	13.3 (.52)	22.2 (.87)					
					Bright	56-71-2-15	56-70-2-15	12.2 (.48)	18.2 (.72)	11.5 (.45)	21.5 (.85)					
					Prism	56-171-2-000	56-170-2-000	12.9 (.51)	19 (.75)	13.3 (.52)	22.2 (.87)					
					4C-Prism	56-371-2-000	56-370-2-000	12.9 (.51)	19 (.75)	13.3 (.52)	22.2 (.87)					

56 Spring-Loaded Plunger

Press-in style – Miniature, Small and Large



Press-In Style



- Simplified positioning of sliding components
- Quick-release hinge for removable door
- Fast installation and removal of components
- Designate access with color

Material and Finish

End cap: Steel, zinc plated, chromate, plus sealer

Ferrule and stud: Steel, (Large and Small hardened), zinc plated, chromate plus sealer

Knob: (Prism plungers only) PC/ABS, black, UL94-V0 Rated

Spring: 300 series stainless steel, passivated

Installation Notes

Press knob with approximately 13,400 N (3000 lbf) (Large and Small), 8000 N (1800 lbf) (Mini) for steel, 6700 N (1500 lbf) (Large and Small), 5000 N (1124 lbf) (Mini) for aluminum panels until ferrule sits flush with panel. A solid back-up tool must be used for proper installation.

Part Number

See table

Specifying Prism Color

To indicate color, change the last three digits of the part number.

Example:
56-161-000, black; 56-161-013, red

Outer Panel Thickness		P	Size	Knob Style	Part Number		H-1	H-2	E	K	Ø J	Ø M	Ø D	Ø C	Ø R	S
A Min.	A Max.				Hold-Open	Without										
0.8 (.031)	1.5 (.06)	4.4 (.17)	Mini	Bright	56-11-15	56-10-15	9.2 (.36)	12.9 (.51)	8.5 (.33)	13.6 (.54)	4.29 (.169) MAX	6.6 (.26)	6.7 ^{+0.08} _{-0.1} (.264 ^{+0.003} _{-0.003})	4.3 ^{+0.13} _{-0.0} (.169 ^{+0.005} _{-0.005})	9 (.35) MIN	4.5 (.18) MIN
				Prism	56-111-000	56-110-000	9.9 (.39)	13.6 (.54)	9 (.35)	14.3 (.56)						
				4C-Prism	56-311-000	56-310-000	9.9 (.39)	13.6 (.54)	9 (.35)	14.3 (.56)						
1.52 (.06)	3.81 (.15)	8.2 (.32)	Small	Bright	56-61-15	56-60-15	12.2 (.48)	19.3 (.76)	11.5 (.45)	20.4 (.80)	6.33 (.249)	8.26 (.325)	8.4 ^{+0.0} _{-0.1} (.328 ^{+0.003} _{-0.003})	6.4 ^{+0.1} _{-0.0} (.250 ^{+0.005} _{-0.005})	13 (.50) MIN	8.26 (.325) MIN
				Prism	56-161-000	56-160-000	13 (.51)	20 (.79)	13.3 (.52)	21.1 (.83)						
				4C-Prism	56-361-000	56-360-000	13 (.51)	20 (.79)	13.3 (.52)	21.1 (.83)						
			Large	Prism	56-261-000	56-260-000	13 (.51)	20 (.79)	17 (.67)	21.1 (.83)						



56 Spring-Loaded Plunger

Thread-in style - Miniature, Small and Large

- Simplified positioning of sliding components
- Quick-release hinge for removable door
- Fast installation and removal of components
- Designate access with color

Material and Finish

Stud: Steel, hardened, zinc plated, chromate plus sealer

Ferrule and Sleeve: Steel, zinc plated, chromate plus sealer

Spring: 300 series stainless steel passivated

Prism Knob: PC/ABS, UL94-V0 Rated

End cap: Steel, zinc plated, chromate, plus sealer

(Aluminum knob plungers only)

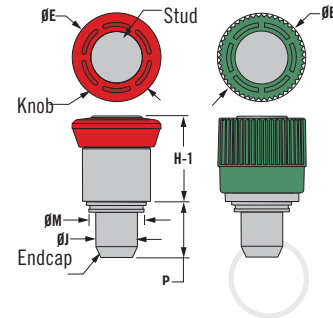
Detent washer: Steel, zinc plated (Hold-open only)

Part Number

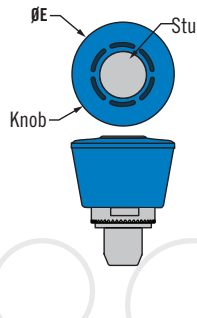
See table

Thread-in Style

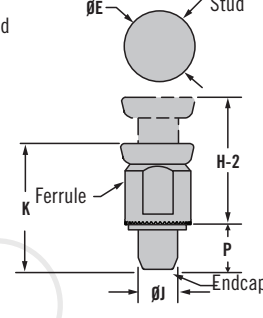
Prism - Miniature and Small



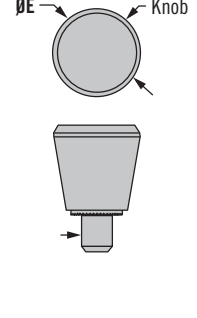
Prism - Large



Bright Steel Knob

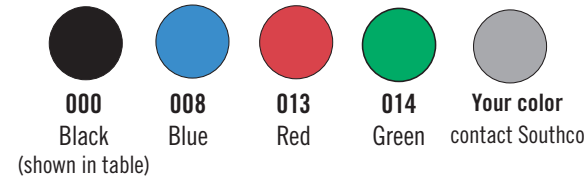


Bright Aluminum Knob

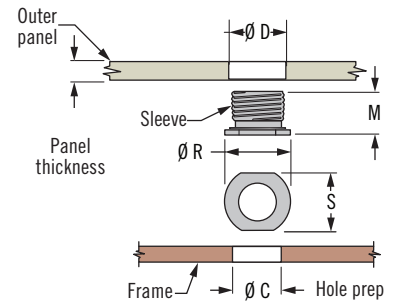
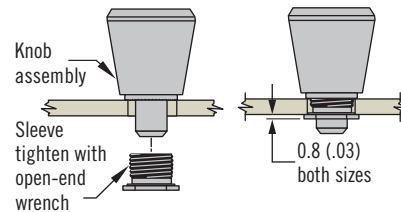
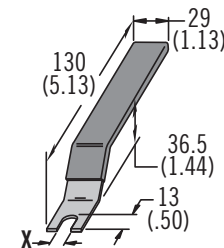


Specifying Prism Color

To indicate color, change the last three digits of the part number.
Example: 56-130-000, black; 56-130-013, red



Installation tool



Size	X (Tool)	Tool Part Number
Mini	7.1 (.28)	56-0-22041-03
Small	9.5 (.38)	56-0-22041-04
Large		

Outer Panel		P	Size	Knob Style	Part Number		H-1	H-2	ø E	K	ø J	ø C	ø D	M	ø R	S
Min.	Max.				Hold-Open	Without										
0.8 (.031)	1.5 (.06)	4.4 (.17)	Mini	Bright	—	56-30-15	9.2 (.36)	12.9 (.51)	8.5 (.335)	13.6 (.54)	4.29 (.169) MAX	4.3 +0.08/-0.0 (.17 +.003 -0.00)	7.14 ±0.08 (.281 ±.003)	5.1 (.20)	9 (.35)	7 (.28)
				Prism	—	56-130-000	9.9 (.39)	13.6 (.54)	9 (.354)	14.3 (.56)						
				4C-Prism	—	56-330-000	9.9 (.39)	13.6 (.54)	10 (.354)	14.3 (.56)						
0.8 (.031)	3.2 (.13)	6.9 (.27)	Small	Bright	—	56-80-15	12.2 (.48)	20.4 (.80)	11.5 (.45)	20.3 (.80)	6.33 (.249)	6.35 +0.08/-0.0 (.250 +.003/0.00)	9.12 ±0.08 (.359 ±.003)	7.1 (.28)	11.1 (.44)	9.4 (.37)
				Prism	—	56-180-000	13 (.51)	21.1 (.83)	13.3 (.52)	21 (.83)						
				4C-Prism	—	56-380-000	13 (.51)	21.1 (.83)	13 (.51)	21 (.83)						
			Large	Prism	—	56-280-000	14.1 (.56)	21.1 (.83)	17 (.67)	21 (.83)						
0.64 (.025)	1.5 (.06)	6.4 (.17)	Small	Aluminum	56-10-301-20	56-99-196-20	13.4 (.53)	18.4 (.72)	13.5 (.53)	19.8 (.78)	4.7 (.183)	4.78 +0.08/-0.03 (.17 +.003 -0.00)	7.14 ±0.08 (.281 ±.003)	5.6 (.20)	9 (.35)	7 (.28)
0.8 (.031)	3.2 (.13)	7.9 (.31)	Large	Aluminum	56-10-401-20	56-99-197-20	18.3 (.72)	24.6 (.97)	17.5 (.69)	26.2 (1.03)	6.2 (.245)	6.35 +0.08/-0.08 (.250 +.003/0.00)	9.12 ±0.08 (.359 ±.003)	7.1 (.28)	11.1 (.44)	9.4 (.37)