



68 Cam Latch

Small · T-Handle · Adjustable grip

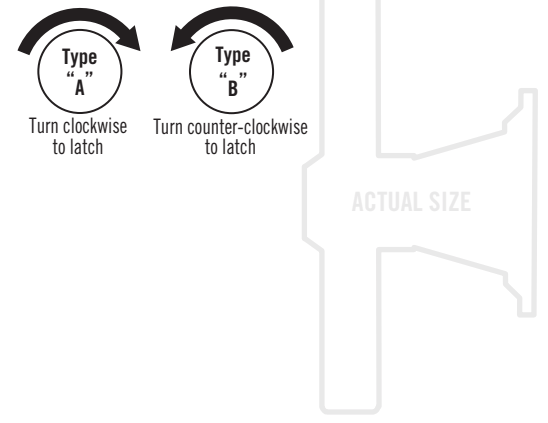
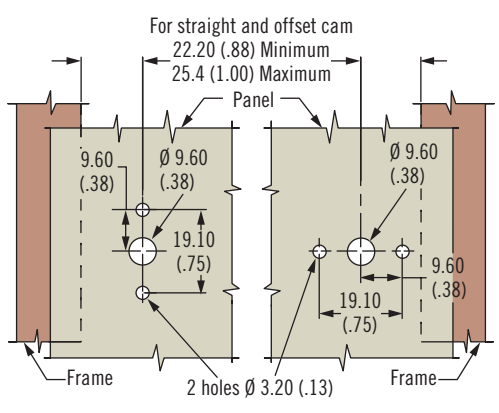
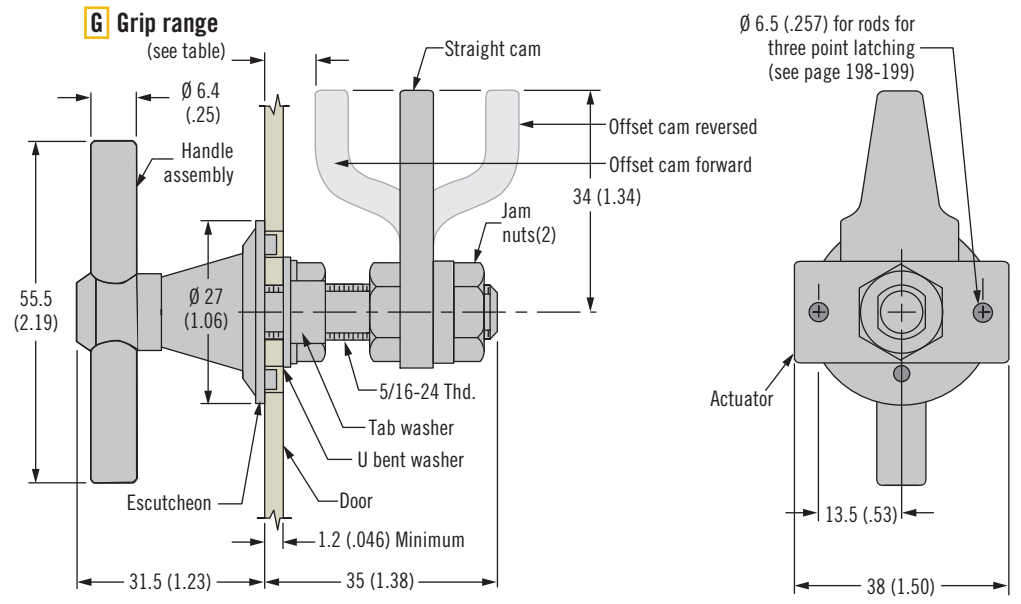
• Robust design

Material and Finish

Zinc alloy and steel, zinc plated

Performance Details

Maximum static load:
1100 N (250 lbf)



Part Number Selection

See table

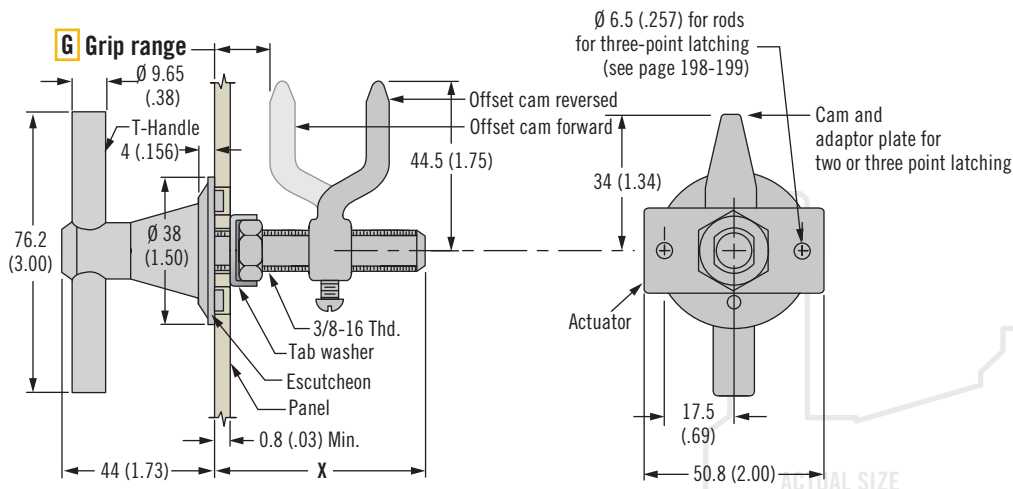
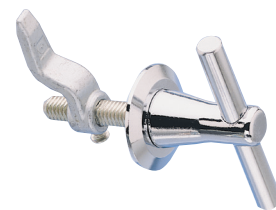
Grip	Minimum	Maximum	Cam Type
1	0 (0)	12.7 (.50)	Offset cam forward position
	25.4 (1.00)	38 (1.50)	Offset cam reversed position
2	12.7 (.50)	25.4 (1.00)	Straight cam

68 - 50 - 30 G - F

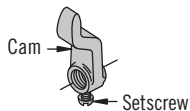
- F Finish**
- 10 Zinc plate bright chromate
 - 20 Chrome plated

68 Cam Latch

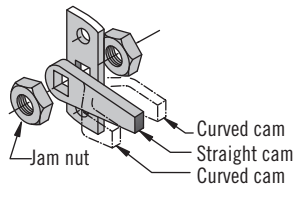
Medium · T-Handle · Adjustable grip



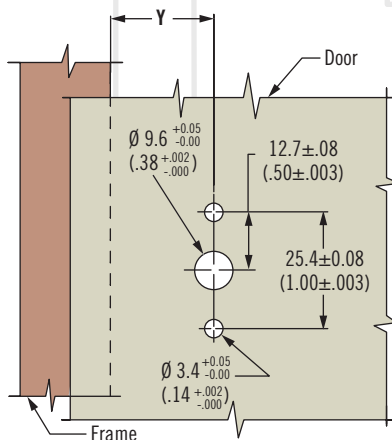
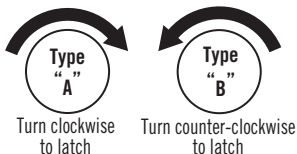
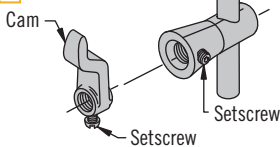
A Single point



A Three point



A Inside release



- Robust design
- Optional internal actuation

Material and Finish

Zinc alloy and steel, zinc plated

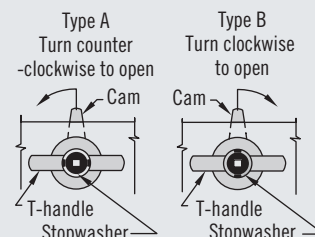
Performance Details

Maximum static load:
1100 N (250 lbf)

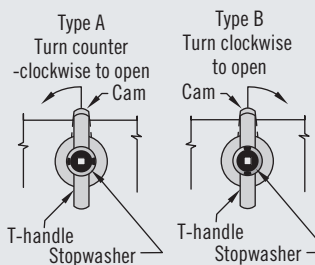
Installation Notes

T-handle orientation and operation:

1. Handle parallel to the edge of door when latched.



2. Handle perpendicular to edge of door when latched.



Part Number Selection

See table

A Assembly

- 1 Single point
- 3 Three point
- 4 Inside release

68 - 10 - A 0 G - F

F Finish

- 10 Zinc plate bright chromate
- 20 Chrome plated

Assembly	G Grip	Grip Range		X	Y	Cam Type
		Minimum	Maximum			
Single point	1	3.2 (.13)	25.4 (1.00)	46.4 (1.83)	31.8±3.2 (1.25±.13)	Offset cam forward position
		25.4 (1.00)	50.8 (2.00)			Offset cam reversed position
Three point	1	1.6 (.06)	19.8 (.78)		28.6±1.6 (1.13±.06)	Offset cam forward position
		27 (1.06)	45.2 (1.78)			Offset cam reversed position
	2	14.3 (.56)	32.5 (1.28)			Straight cam
Inside release	1	3.2 (.13)	25.4 (1.00)		65 (2.56)	31.8±3.2 (1.25±.13)
		25.4 (1.00)	50.8 (2.00)	Offset cam reversed position		



68 Cam Latch

Medium · Folding bail handle · Adjustable grip

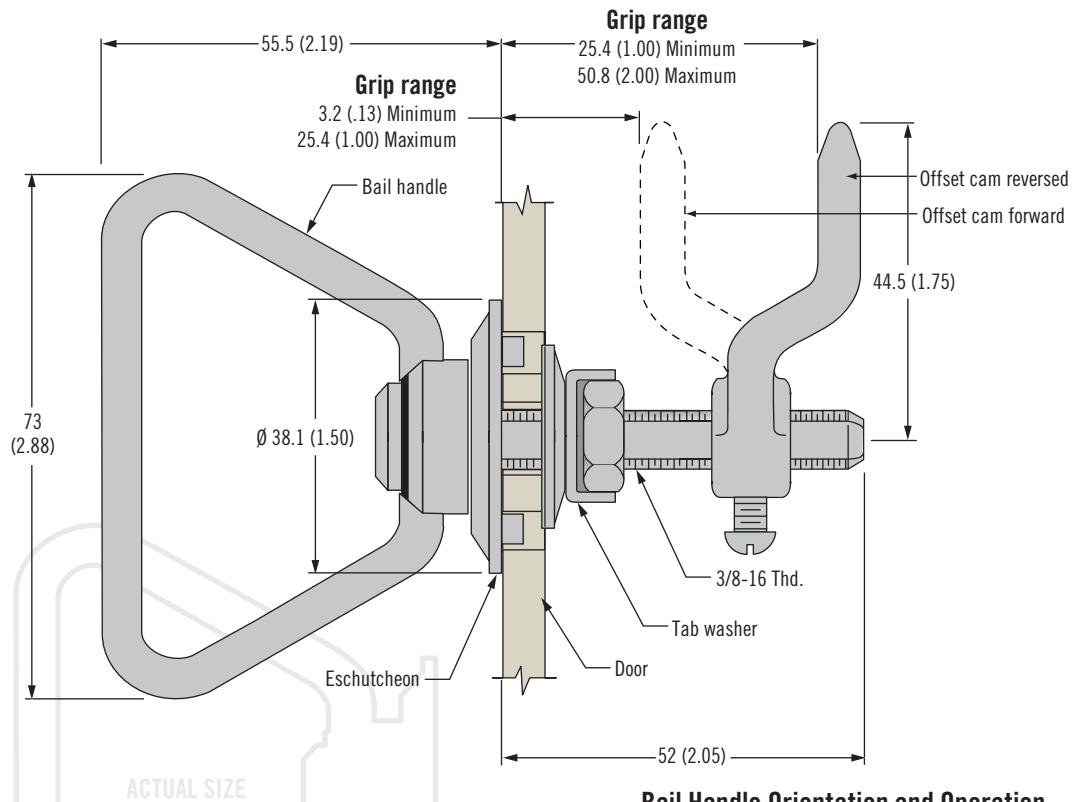
- Robust design
- 90° rotation

Material and Finish

Zinc alloy and steel, zinc plated

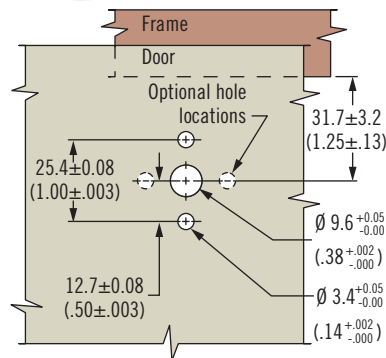
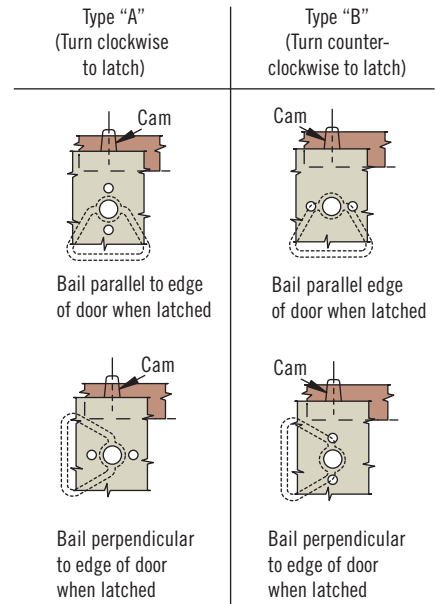
Performance Details

Maximum static load
890 N (200 lbf)



Bail Handle Orientation and Operation

(Shown in latched position)



Part Number Selection

See table

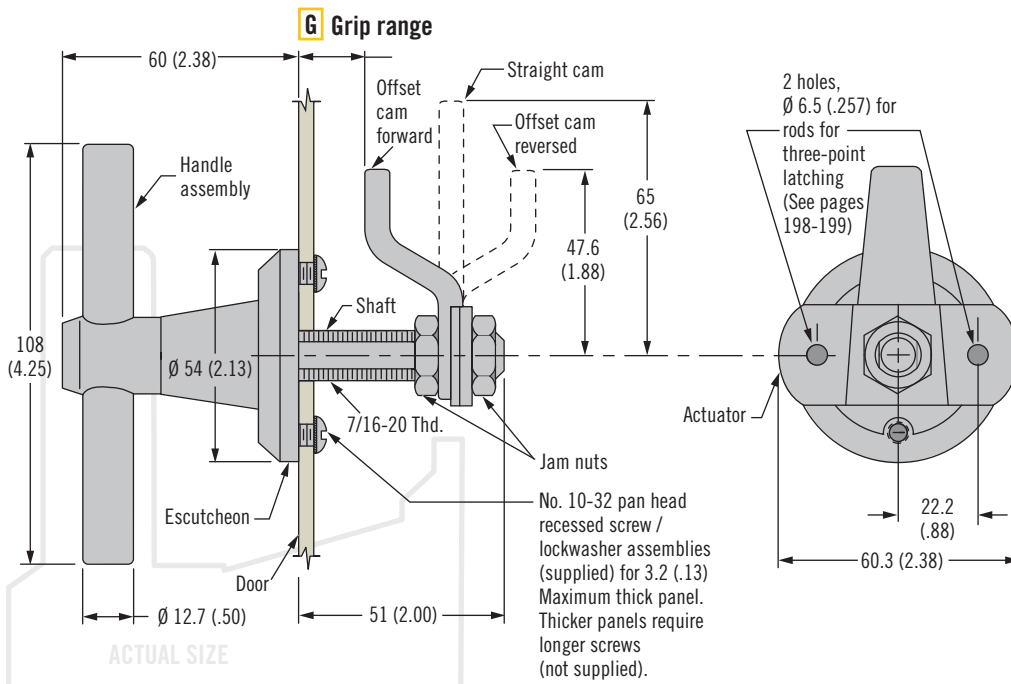
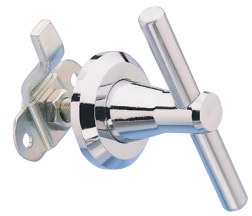
68 - 20 - 101 - **F**

F Finish

- 10 Zinc plate bright chromate
- 20 Chrome plated

68 Cam Latch

Large · T-Handle · Adjustable grip



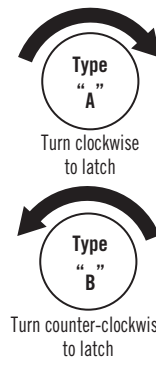
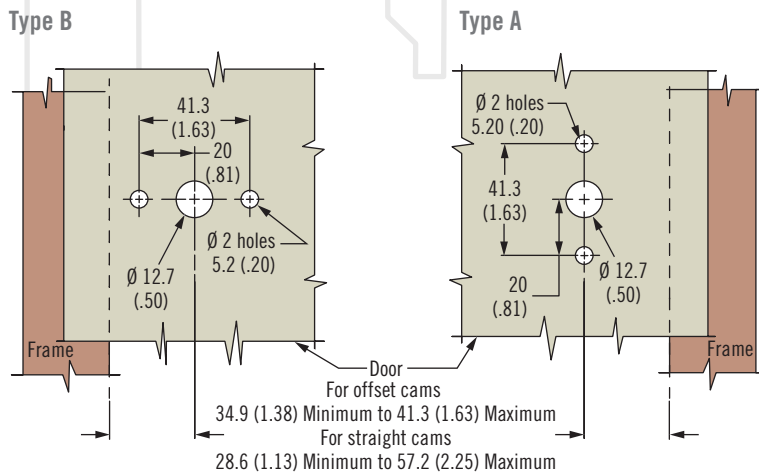
- Robust construction
- 90° movement

Material and Finish

Zinc alloy and steel, zinc plated

Performance Details

Maximum static load:
1300 N (300 lbf)



Part Number Selection

See table

68 - 70 - 30 **G** - **F**

Grip	Minimum	Maximum	Cam Type
1	0 (0)	19 (.75)	Offset cam forward position
	25.4 (1.00)	57 (2.25)	Offset cam reversed position
2	6.4 (.25)	38 (1.50)	Straight cam

F Finish
 10 Zinc plate bright chromate
 20 Chrome plated