

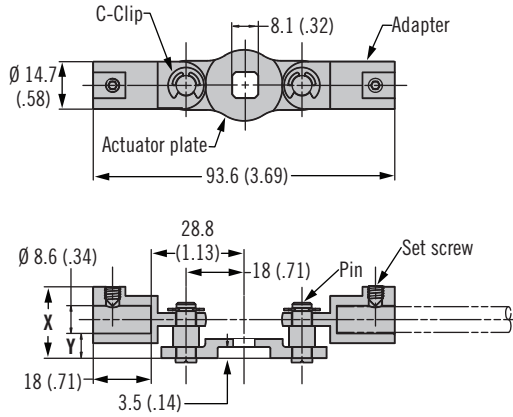
A5 Modular System

Actuator plates

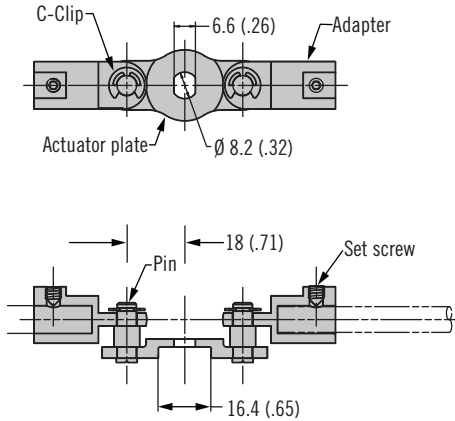


Actuator Plate

A5-90-101-11

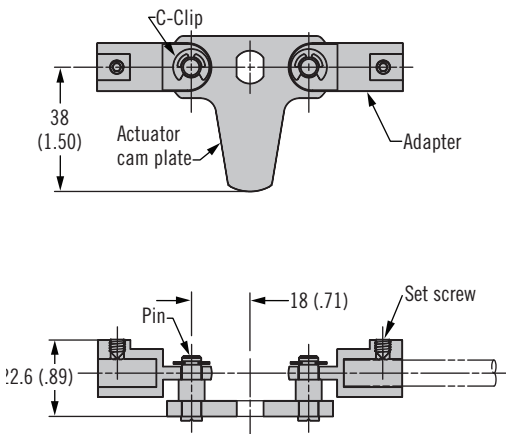


A5-90-301-11

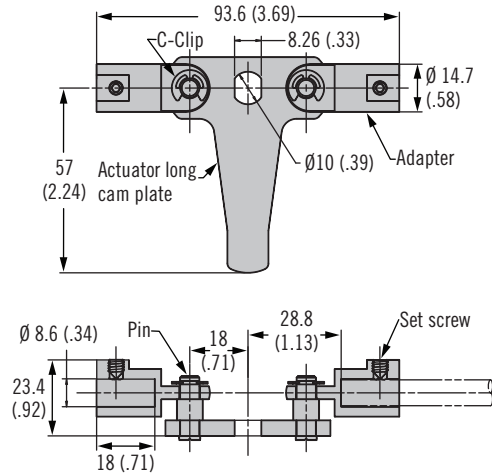









| Part Number | X | Y |
|--------------|-------------|------------|
| A5-90-101-11 | 22.2 (0.87) | 4.7 (0.18) |
| A5-90-104-11 | 25.2 (0.99) | 7.7 (0.30) |
| A5-90-401-11 | 22.6 (0.89) | 5.1 (0.20) |
| A5-90-501-11 | 23.4 (0.92) | 5.9 (0.23) |

A5-90-401-11 (Short Cam)



A5-90-501-11 (Long Cam)



| Actuator Plate Part Number | | | | | | | |
|----------------------------|---|---|---|---|---|---|---|
| Operating Latch Families |  |  |  |  |  |  |  |
| | Page 152-168 | | | Page 224-225 | | Page 133 | Page 176-177 |
| Actuator Plate Part Number | A5-90-101-11 | | | A5-90-301-11 | | A5-90-401-11 | A5-90-501-11 |

- Modular actuators to suit multiple latch families using A5 modular rods

Material and Finish

Zinc alloy, steel, zinc plated and stainless steel set screw

To Select Correct Actuator:

1. Choose actuator plate to match latch family (one per latch required)
2. Order rods and rod guides from page 230

Part Number

Actuator plate see table
 Rods (see page 230)
 Rod guides (see page 230)

A5 Flat Rod Systems

Rods, Guides, Adapters and Keepers

- Compatible with standard Southco latches, providing a variety of operating styles
- Mid Roller system allows latching outside of gasketed area

Material and Finish

Rods: Steel, zinc nickel plated
 Rod rollers: Stainless Steel or Glass-filled nylon, black
 Rod guides: Glass-filled nylon, black
 Flat rod keeper: Zinc alloy, black powder coated

To select correct assembly:

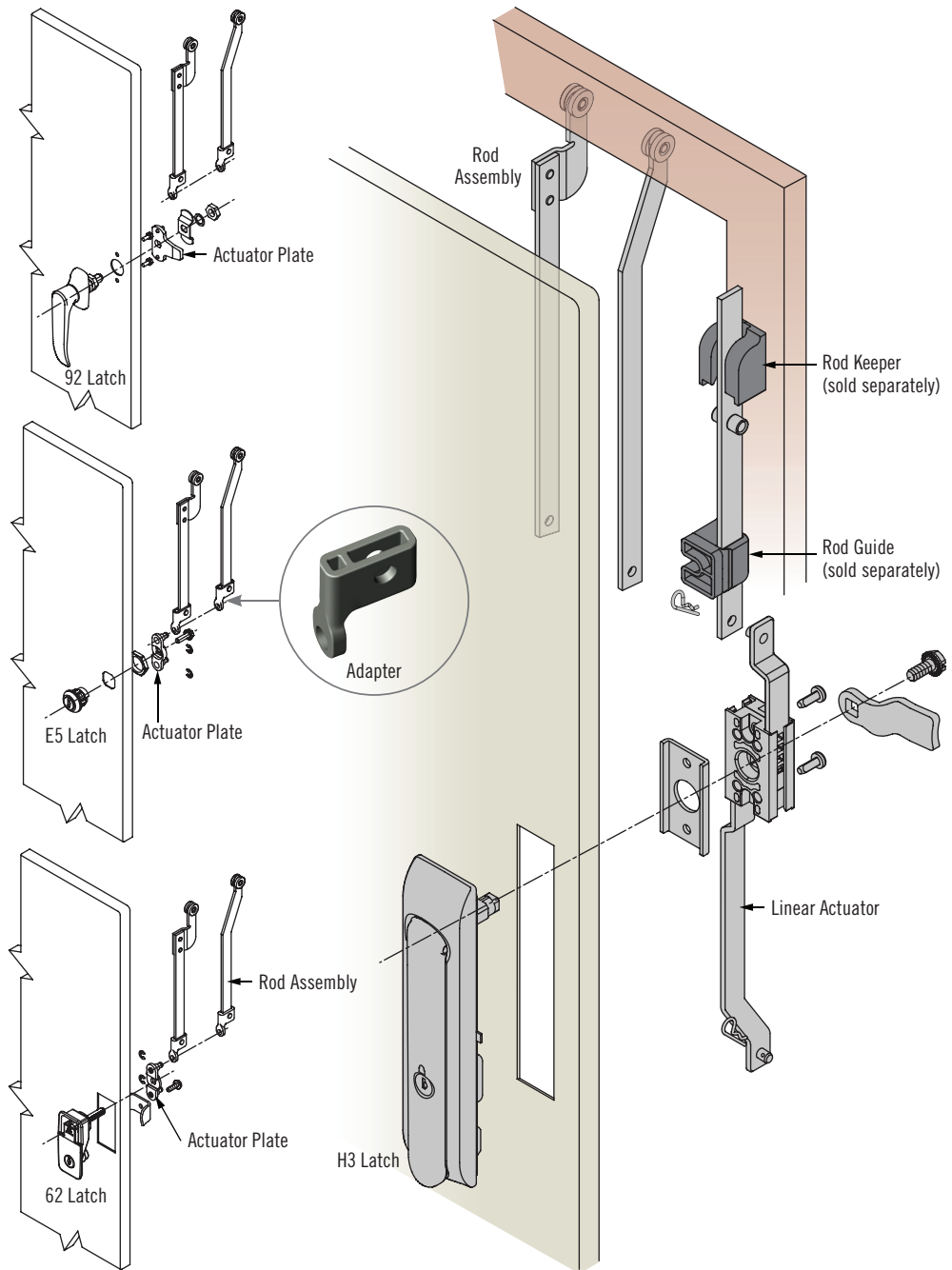
1. Determine rod style and length desired
2. Choose actuator plate or linear actuator to match latch family
3. Choose adapter to match latch family
4. Refer to www.southco.com for additional details on offset and lengths

Note

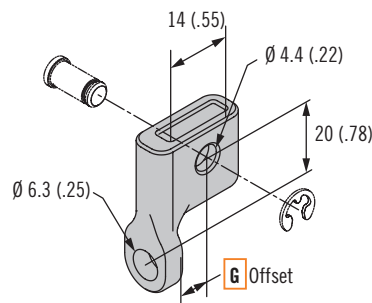
Important: Adapters are used with A5-F30 and A5-F50 Rods only.

Product available to meet *TELCORDIA* GR-487. Contact Southco for details.

TELCORDIA is a registered trademark of Telcordia Technologies, Inc.



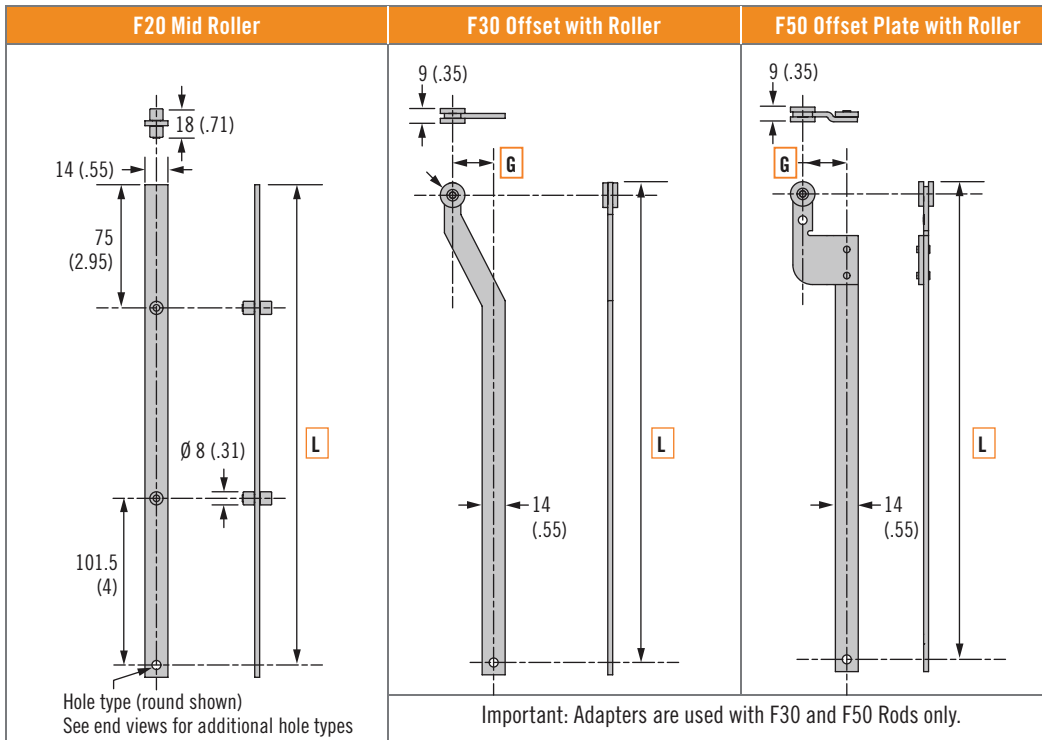
Adapter



| Latch Family | H3 | 92 | E5 | 62 |
|-----------------|------------|-----------|-------------|--------------|
| Adapter Type A | Adapter 1 | Adapter 2 | Adapter 3 | Adapter 4 |
| Offset G | 3.25 (.13) | 7.8 (.31) | 17.25 (.68) | -7.55 (-.30) |

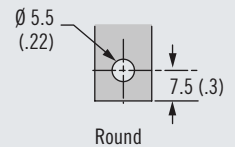
A5 Flat Rod Systems

Rods, Guides and Keepers



- Modular actuators to suit multiple latch families using A5 flat rods

Standard Hole Detail



Others available upon request



Square



Lantern

Rod Assembly Part Number

R Rod Style ←

- 2 Mid roller (offset **G** must be 00)
- 3 Offset with roller end
- 5 Offset Plate with roller end

L Length (mm)
0200 - 1200

A Adapter Type ←

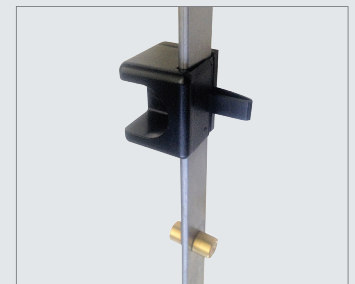
- 0 None (H3 with linear actuator)
- 1 Adapter - 3.25mm (0.13) (H3 Latches)
- 2 Adapter - 7.8 (0.31) Offset (92 Latches)
- 3 Adapter - 17.25 (0.68) Offset (E5 Latches)
- 4 Adapter - -7.55 (-0.30) Offset (Medium 62 Latches)

G Offset Distance (mm)
20, 25 - (For Rod Style 3)
13, 16, 21, 27 - (For Rod Style 5)

A5 - F R A - L A - G - 77

Mid Roller

Rod Guide A5-F90-71

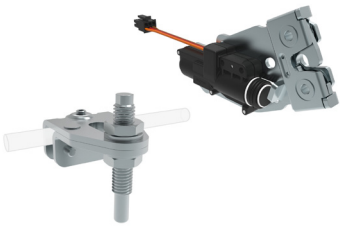


Rod Keeper A5-F80-69



| Flat Rod Actuator Plate Part Number | | | | | | | | |
|-------------------------------------|--------------|------|--------------|-------|--------------|-----------------------------|------------------------------|--------------|
| Operating Latch Families | E5-5 | E5-6 | E5-9 | H3-50 | H3-60 | 62 Series M8 threaded shaft | 92 Series M10 threaded shaft | |
| Actuator Plate Part Number | A5-90-102-11 | | | | | A5-90-303-11 | A5-90-401-11 | A5-90-501-11 |
| Adapter Type A | A = 3 | | A = 1 | | A = 4 | | A = 2 | |

Adapters are used with round hole type rods only.



A5 Rod System

Electronic Lock · Round Rods

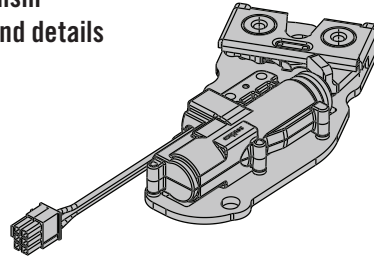
- Electronically prevents rods from moving
- Sealed for outdoor use
- Retrofit existing rod systems without disassembly
- Minimal power draw

Material and Finish

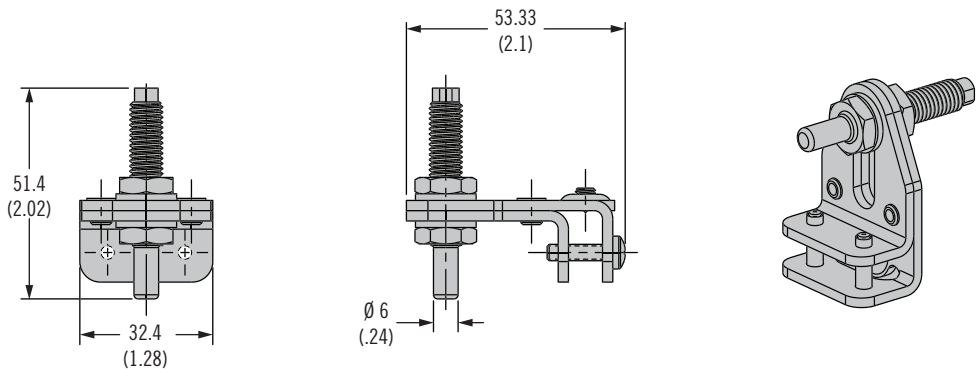
Striker: Steel, zinc plate
 Latch Mechanism: See page 36A

Electronic Rotary Latch Mechanism

See page 36A for part number and details



Round Rod Striker



| Part Number | |
|-------------------|-----------|
| Round Rod Striker | A5-95-102 |

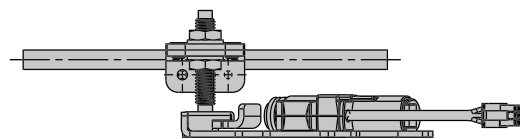
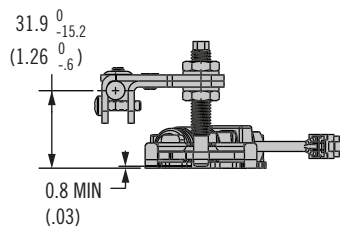
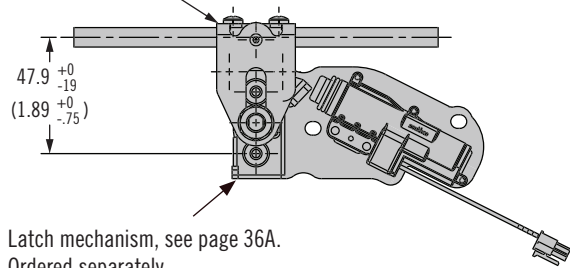
Installation

Part Number

Latch Mechanism: See page 36A
 Striker: A5-95-102

Order latch and striker separately

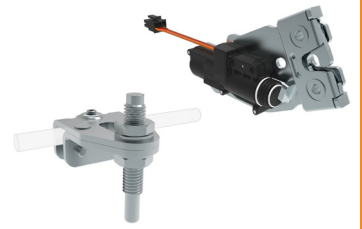
Striker part number A5-95-102,
 ordered separately



Dimensions in millimeters (inch) unless otherwise stated

A5 Rod System

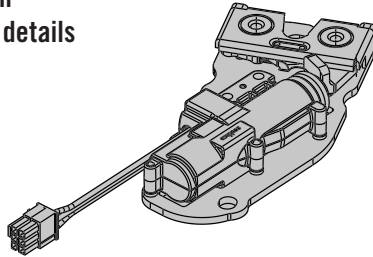
Electronic Lock · Flat Rods



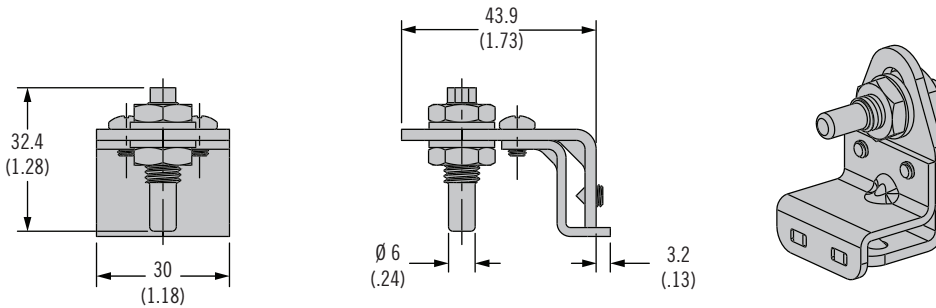
233B

Electronic Rotary Latch Mechanism

See page 36A for part number and details



Flat Rod Striker



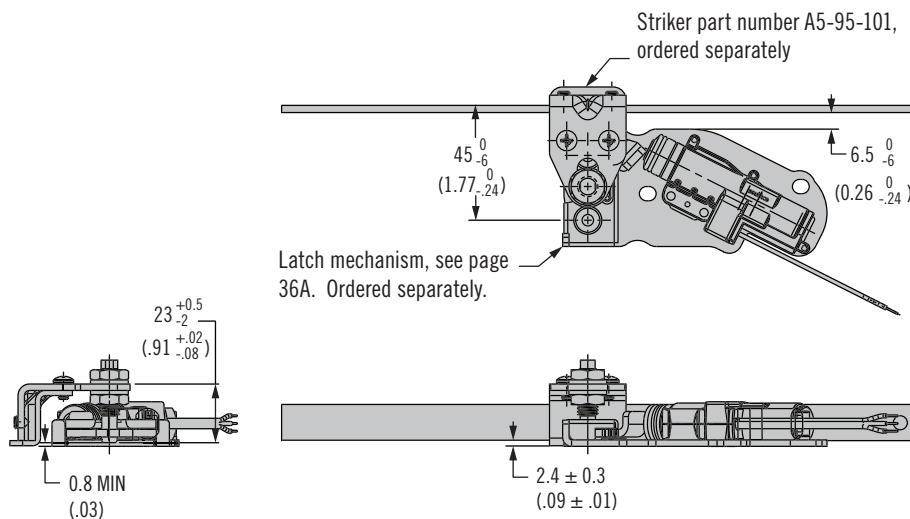
- Electronically prevents rods from moving
- Sealed for outdoor use
- Retrofit existing rod systems without disassembly
- Minimal power draw

Material and Finish

Striker: Steel, zinc plate
 Latch Mechanism: See page 36A

| Part Number | |
|------------------|-----------|
| Flat Rod Striker | A5-95-101 |

Installation



Part Number

Latch Mechanism: See page 36A
 Striker: A5-95-101
 Order latch and striker separately