



# D4 DZUS® Standard Line Quarter-Turn Fasteners

## Stud selection · Size 3

### Material and Finish

Studs:  
Steel, zinc plated or stainless steel

82

85

D8

D9

D1

D4

D5

D7

NY

### To select correct fastener:

#### 1. Select receptacle

Choose a receptacle from page 479

#### 2. Select retainer and accessories

from page 480-481 and note any adjustment values

#### 3. Specify stud length

Calculate the total material thickness (TMT) using the formula given for the receptacle selected. Find the range of TMT using the stud length selection table (right) using the column (A or B) given for the receptacle selected.

#### 4. Complete the stud part number

by specifying the head style **H**, stud length **K**, and material **M**

Example: For rivet-on D4-S3-175 use column A

For TMT value calculated as 5.2 (.206), K = 35

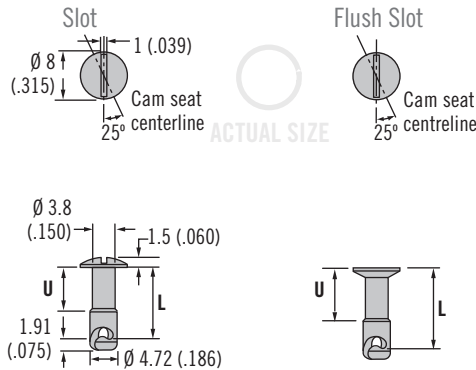
For slotted head style in steel material, completed part number: D4-AJ3-35

A complete example can be found on page 435.

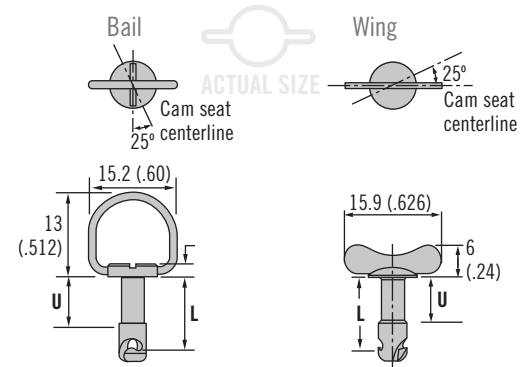
### Notes

Stainless steel material may require a higher minimum order quantity. Contact Southco for details.

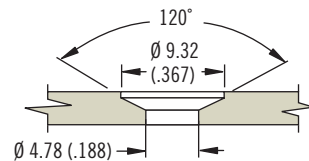
### H Head Styles - Tool Actuated



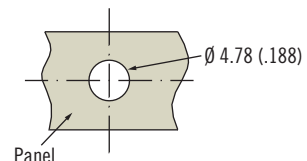
### H Head Styles - Hand Actuated



### Flush



### Standard



- H** Head style
- AJ Slot
- AJW Wing head
- BJR Bail
- FJ Flush slot

**K** Length  
Enter number from selection table below

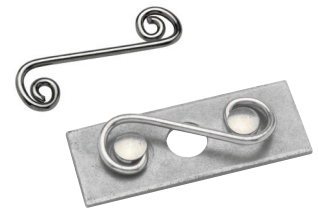
**M** Material  
SS Stainless steel  
Omit for steel, zinc plated

**D4 - H 3 - K M**

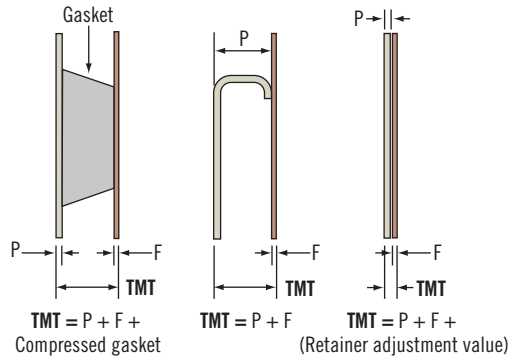
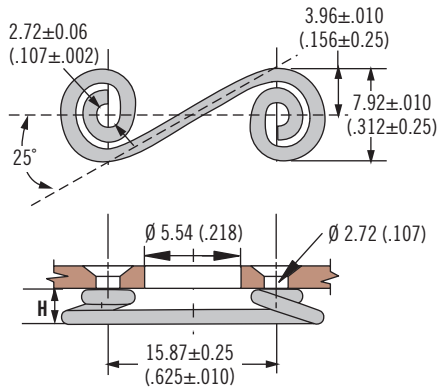
Stud Length Table										
A				B				K	U	L
TMT Range For: Rivet-On Receptacle D4-S3-175		TMT Range For: Rivet-On Receptacle D4-S3-150		TMT Range For: Weld-On Receptacle D4-X735-205		TMT Range For: Weld-On Receptacle D4-X735-180				
Min.	Max.	Min.	Max.	Min.	Max.	Min.	Max.			
2.41 (.095)	3.02 (.119)	3.05 (.12)	3.66 (.144)	1.65 (.065)	2.26 (.089)	2.29 (.09)	2.9 (.114)	25	1.91 (.075)	6.35 (.250)
3.68 (.145)	4.29 (.169)	4.32 (.17)	4.93 (.194)	2.92 (.115)	3.53 (.139)	3.56 (.14)	4.17 (.164)	30	2.54 (.100)	7.62 (.300)
4.95 (.195)	5.56 (.219)	5.59 (.22)	6.2 (.244)	4.19 (.165)	4.8 (.189)	4.83 (.19)	5.44 (.214)	35	3.81 (.150)	8.89 (.350)
6.22 (.245)	6.83 (.269)	6.86 (.27)	7.47 (.294)	5.46 (.215)	6.07 (.239)	6.1 (.24)	6.71 (.264)	40	5.08 (.200)	10.16 (.400)
7.49 (.295)	8.1 (.319)	8.13 (.32)	8.74 (.344)	6.73 (.265)	7.34 (.289)	7.37 (.29)	7.98 (.314)	45	5.77 (.225)	11.43 (.450)
8.76 (.345)	9.37 (.369)	9.4 (.37)	10.01 (.394)	8.00 (.315)	8.61 (.339)	8.64 (.34)	9.25 (.364)	50	6.35 (.250)	12.70 (.500)
10.03 (.395)	10.64 (.419)	10.67 (.42)	11.28 (.444)	9.27 (.365)	9.88 (.389)	9.91 (.39)	10.52 (.414)	55	6.99 (.275)	13.97 (.550)
11.3 (.445)	11.91 (.469)	11.94 (.47)	12.55 (.494)	10.54 (.415)	11.15 (.439)	11.18 (.44)	11.79 (.464)	60	7.62 (.300)	15.24 (.600)
12.57 (.495)	13.18 (.519)	13.21 (.52)	13.82 (.544)	11.81 (.465)	12.42 (.489)	12.45 (.49)	13.06 (.514)	65	8.89 (.350)	16.51 (.650)
13.84 (.545)	14.45 (.569)	14.48 (.57)	15.09 (.594)	13.08 (.515)	13.69 (.539)	13.72 (.54)	14.33 (.564)	70		17.78 (.700)
15.11 (.595)	15.72 (.619)	15.75 (.62)	16.36 (.644)	14.35 (.565)	14.96 (.589)	14.99 (.59)	15.6 (.614)	75	9.5 (.375)	19.05 (.750)
16.38 (.645)	16.99 (.669)	17.02 (.67)	17.63 (.694)	15.62 (.615)	16.23 (.639)	16.26 (.64)	16.87 (.664)	80	10.16 (.400)	20.32 (.800)

# D4 *DZUS*® Standard Line Quarter-Turn Fasteners

## Receptacles · Size 3



### Rivet-On



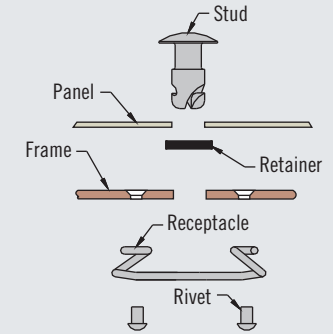
Part Number		H±0.25(.010)	Stud Selection Column
Steel	Stainless Steel		
D4-S3-150	D4-S3-150SS	3.81 (.150)	A
D4-S3-175	D4-S3-175SS	4.45 (.175)	

### Material and Finish

Steel, zinc plated or stainless steel

### Notes

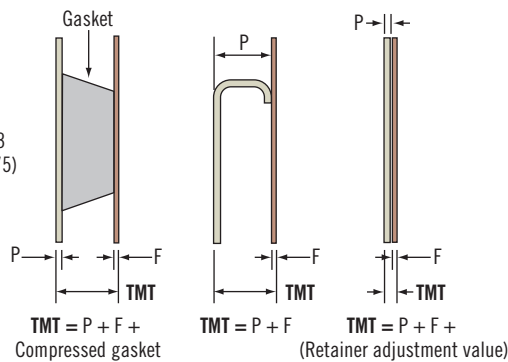
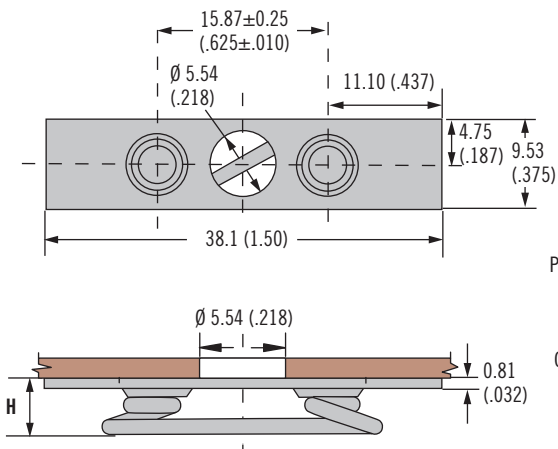
After selecting receptacle use stud selection letter **A** and follow instruction on page 478



### Part Number

See table

### Weld-On



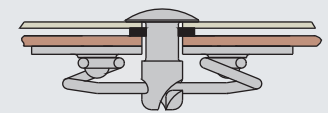
Part Number	H	Stud Selection Column
D4-X735-180	4.57 (.180)	B
D4-X735-205	5.21 (.205)	

### Material and Finish

Steel, zinc plated

### Notes

After selecting receptacle use stud selection letter **B** and follow instruction on page 478



### Part Number

See table



# D4 DZUS® Standard Line Quarter-Turn Fasteners

Retainers · Size 3, 4, 5 and 6

## Material and Finish

Retaining ring: Steel, zinc plated

Retaining spring: Stainless steel

Retainer GH: Aluminum, natural

Retainer GP, natural: HD Polythene

Retainer GP, black: Polypropylene

## Installation Notes

1. Place the retainer on the mandrel as shown
2. Align ring or spring ends so that they will miss the stud cam
3. Place mandrel in end of stud cam
4. Place tool over mandrel
5. Push retainer until it is sealed in stud undercut

## Notes

Tooling:

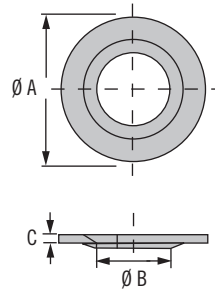
29 - TFRS hand tool: Spreads the inside diameter of retainers over stud shanks and then pushes them into stud undercuts.

29 - TB1A block: Nests stud heads during installation. (Any flat block may be used for BJR bail head studs).

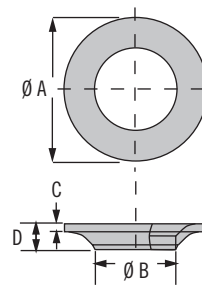
## Part Number

See table

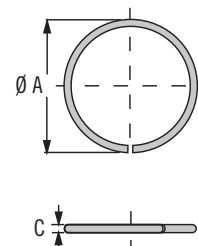
### Retainer GP



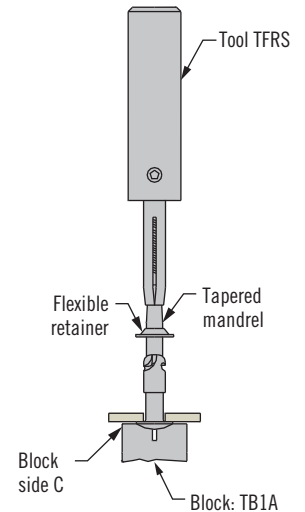
### Retainer GH



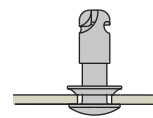
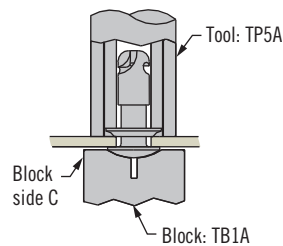
### Retaining Ring



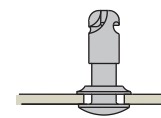
### Install Retainer GP, Retaining Ring and SX



### Install Retainer GH

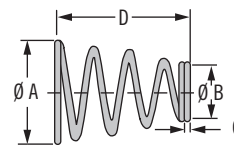


Standard Hole  
Small diameter faces panel



Oversized Hole  
Large diameter faces panel

### Retaining Spring



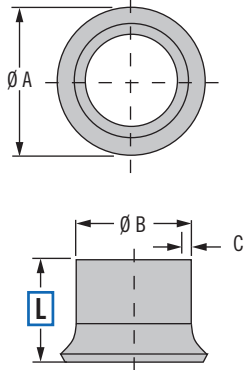
Size	Type	Part Number	Ø A	Ø B	C	D	Adjustment Value	Installation Tool Part Number
3	Retainer GP, natural	D4-GP3	7.9 (.311)	4.06 (.160)	0.5 (.020)	N/A	Add 0.51 (.020)	29-TFRS3 and 29-TB1A3
	Retainer GP, black	D4-GP3B						
	Retainer GH	D4-GH3	4.8 (.188)	0.38 (.015)	1.3 (.051)	Add 0.38 (.015)	29-TP5A3 and 29-TB1A3	
	Retaining ring	D4-RR3	5.3 (.209)	N/A	0.56 (.022)	N/A	Add 0.56 (.022)	29-TFRS3 and 29-TB1A3
	Retaining spring	D4-SX520	7.9 (.311)	3.8 (.149)	0.46 (.018)	17.5 (.689)	Add 0.91 (.036)	
4	Retainer GP, natural	D4-GP4	11.1 (.437)	5.4 (.21)	0.7 (.028)	N/A	Add 0.7 (.028)	29-TFRS4 and 29-TB1A4
	Retainer GP, black	D4-GP4B						
	Retainer GH	D4-GH4	6.35 (.250)	0.64 (.025)	2.1 (.083)	Add 0.64 (.025)	29-TP5A4 and 29-TB1A4	
	Retaining ring	D4-RR4	7.1 (.280)	N/A	0.71 (.028)	N/A	Add 0.74 (.029)	29-TFRS4 and 29-TB1A4
	Retaining spring	D4-SX523	11.1 (.437)	5.1 (.200)	0.64 (.025)	17.5 (.689)	Add 1.28 (.050)	
5	Retainer GP, natural	D4-GP5	14.3 (.562)	6.5 (.256)	0.83 (.033)	N/A	Add 0.86 (.034)	29-TFRS5 and 29-TB1A5
	Retainer GP, black	D4-GP5B						
	Retainer GH	D4-GH5	7.9 (.311)	0.88 (.035)	2.7 (.106)	Add 0.78 (.031)	29-TP5A5 and 29-TB1A5	
	Retaining ring	D4-RR5	8.92 (.351)	N/A	0.91 (.036)	N/A	Add 0.91 (.035)	29-TFRS5 and 29-TB1A5
	Retaining spring	D4-SX510	14.3 (.562)	6.5 (.256)	0.82 (.032)	19 (.748)	Add 1.64 (.064)	
6	Retainer GH	D4-GH6	15.9 (.625)	9.5 (.374)	0.88 (.035)	2.9 (.114)	Add .88 (.035)	29-TP5A6 and 29-TB1A6
	Retaining ring	D4-RR6	10.78 (.424)	N/A	1.14 (.045)	N/A	Add 1.14 (.045)	29-TFRS6 and 29-TB1A6
	Retaining spring	D4-SX518	15.9 (.625)	8 (.315)	0.88 (.035)	19 (.748)	Add 1.76 (.070)	

# D4 DZUS® Standard Line Quarter-Turn Fasteners

## Retainers · Size 3, 4, 5 and 6



### Retainer GA

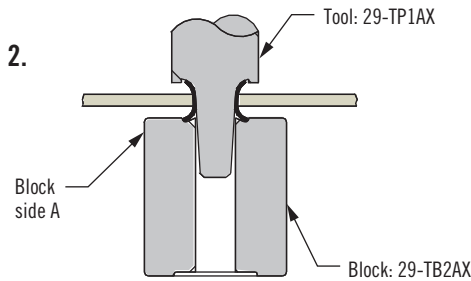


### Installation Retainer GA

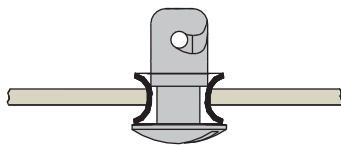
1.



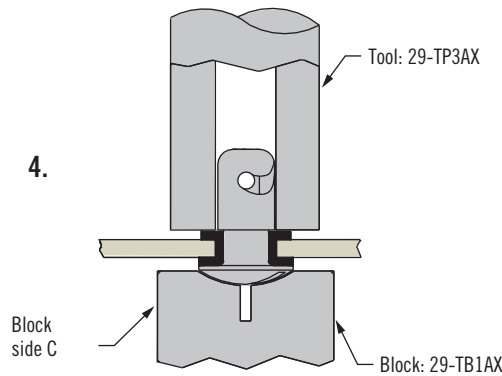
2.



3.



4.



Size	Panel Thickness	L	Part Number	Ø A	Ø B	C	Adjustment Formula	Installation Tool Part Number
3	0.38 - 0.64 (.015 - .025)	4.45 (.175)	D4-GA3-175	Ø 7.9 (.311)	5.6 (.220)	0.38 (.015)	Add 0.76 (.030)	29-TP1A3, 29-TP3A3, 29-TB1A3 and 29-TB2A3 (all required)
	0.66 - 1.27 (.026 - .050)	5.08 (.200)	D4-GA3-200					
	1.29 - 2.38 (.051 - .094)	6.35 (.250)	D4-GA3-250					
4	0.38 - 0.64 (.015 - .025)	4.45 (.175)	D4-GA4-175	10.3 (.405)	7.9 (.311)	.64 (.025)	Add 1.28 (.050)	29-TP1A4, 29-TP3A4, 29-TB1A4 and 29-TB2A4 (all required)
	0.66 - 1.27 (.026 - .050)	5.08 (.200)	D4-GA4-200					
	1.29 - 2.38 (.051 - .094)	6.35 (.250)	D4-GA4-250					
5	0.38 - 0.64 (.015 - .025)	4.45 (.175)	D4-GA5-175	12.7 (.500)	9.5 (.374)	.71 (.028)	Add 1.42 (.056)	29-TP1A5, 29-TP3A5, 29-TB1A5 and 29-TB2A5 (all required)
	0.66 - 1.27 (.026 - .050)	5.08 (.200)	D4-GA5-200					
	1.29 - 2.38 (.051 - .094)	6.35 (.250)	D4-GA5-250					
6	0.38 - 0.64 (.015 - .025)	4.45 (.175)	D4-GA6-175	15.1 (.594)	11.1 (.437)	.71 (.028)	Add 1.42 (.056)	29-TP1A6, 29-TP3A6, 29-TB1A6 and 29-TB2A6 (all required)
	0.66 - 1.27 (.026 - .050)	5.08 (.200)	D4-GA6-200					
	1.29 - 2.38 (.051 - .094)	6.35 (.250)	D4-GA6-250					

### Material and Finish

Retainer GA: Aluminum, natural

### Installation Notes

1. Insert retainer in panel hole
2. Set retainer
3. Insert stud
4. Flatten retainer

82

85

D8

D9

D1

D4

D5

D7

NY



### Part Number

See table



# D4 DZUS® Standard Line Quarter-Turn Fasteners

## Stud selection · Size 4

### Material and Finish

Studs:

Steel, zinc plated or stainless steel

82

85

D8

D9

D1

D4

D5

D7

NY

### To select correct fastener:

#### 1. Select receptacle

Choose a receptacle from pages 484-485

#### 2. Select retainer and accessories

from pages 480-481 and note any adjustment values

#### 3. Specify stud length

Calculate the total material thickness (TMT) using the formula given for the receptacle selected. Find the range of TMT using the stud length selection table (right) using the column (A, B, C, or D) given for the receptacle selected.

#### 4. Complete the stud part number

by specifying the head style **H**, stud length **K**, and material **M**

Example:

For rivet-on

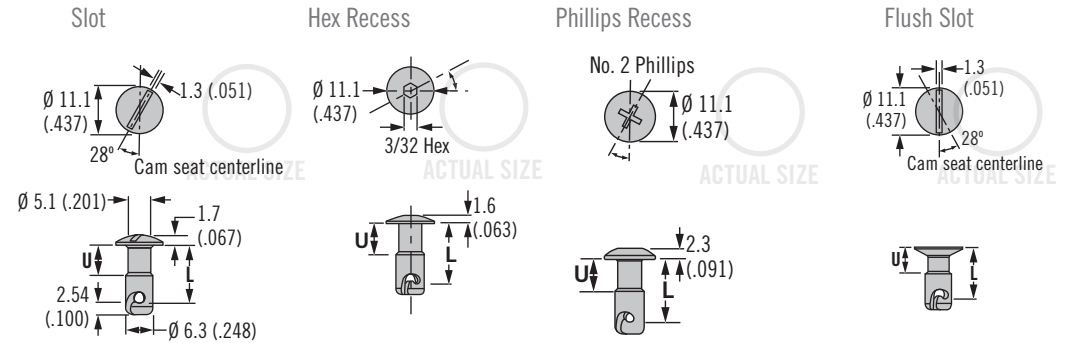
D4-S4-225 use column A

For TMT value calculated as 5.2 (.206), K = 40

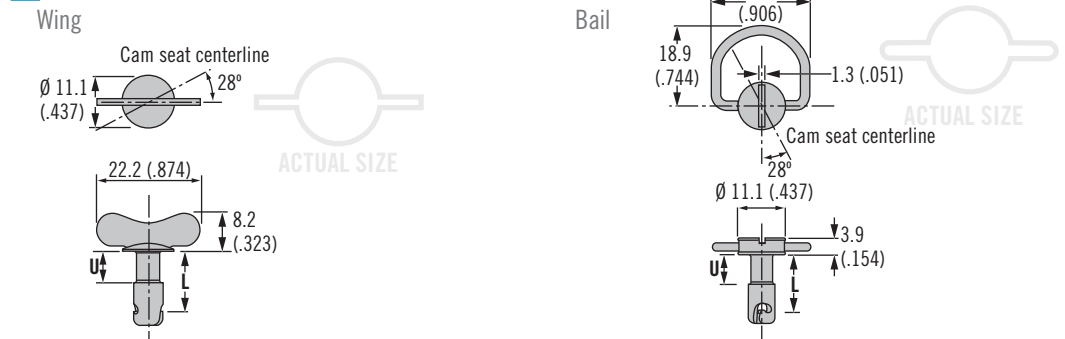
For slotted head style in steel material, completed part number: D4-AJ4-40

A complete example can be found on page 435

### H Head Styles - Tool Actuated

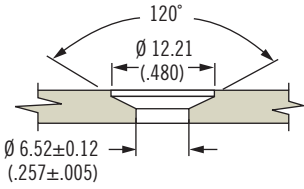


### H Head Styles - Hand Actuated

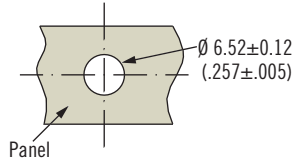


Stud Length Table										
A				B				K	U	L
TMT Range For: Rivet-On Receptacle D4-S4-225		TMT Range For: Rivet-On Receptacle D4-S4-200		TMT Range For: Weld-On Receptacle D4-X485-300		TMT Range For: Weld-On Receptacle D4-X485-275				
Min.	Max.	Min.	Max.	Min.	Max.	Min.	Max.			
1.27 (.050)	1.88 (.074)	1.91 (.075)	2.51 (.099)	~	~	~	~	25	1.91 (.075)	6.35 (.250)
2.54 (.100)	3.15 (.124)	3.18 (.125)	3.78 (.149)	0.64 (.025)	1.24 (.049)	1.27 (.050)	1.88 (.074)	30	2.54 (.100)	7.62 (.300)
3.81 (.150)	4.42 (.174)	4.45 (.175)	5.05 (.199)	1.91 (.075)	2.51 (.099)	2.54 (.100)	3.15 (.124)	35	3.81 (.150)	8.89 (.350)
5.08 (.200)	5.69 (.224)	5.72 (.225)	6.32 (.249)	3.18 (.125)	3.78 (.149)	3.81 (.150)	4.42 (.174)	40	5.08 (.200)	10.16 (.400)
6.35 (.250)	6.96 (.274)	6.99 (.275)	7.59 (.299)	4.45 (.175)	5.05 (.199)	5.08 (.200)	5.69 (.224)	45	5.72 (.225)	11.43 (.450)
7.62 (.300)	8.23 (.324)	8.26 (.325)	8.86 (.349)	5.72 (.225)	6.32 (.249)	6.35 (.250)	6.96 (.274)	50	6.35 (.250)	12.70 (.500)
8.89 (.350)	9.50 (.374)	9.53 (.375)	10.13 (.399)	6.99 (.275)	7.59 (.299)	7.62 (.300)	8.23 (.324)	55	6.99 (.275)	13.97 (.550)
10.16 (.400)	10.77 (.424)	10.80 (.425)	11.40 (.449)	8.26 (.325)	8.86 (.349)	8.89 (.350)	9.50 (.374)	60	7.62 (.300)	15.24 (.600)
11.43 (.450)	12.04 (.474)	12.07 (.475)	12.67 (.499)	9.53 (.375)	10.13 (.399)	10.16 (.400)	10.77 (.424)	65	8.89 (.350)	16.51 (.650)
12.70 (.500)	13.31 (.524)	13.34 (.525)	13.94 (.549)	10.80 (.425)	11.40 (.449)	11.43 (.450)	12.04 (.474)	70		17.78 (.700)
13.97 (.550)	14.58 (.574)	14.61 (.575)	15.21 (.599)	12.07 (.475)	12.67 (.499)	12.70 (.500)	13.31 (.524)	75	10.16 (.400)	19.05 (.750)
15.24 (.600)	15.85 (.624)	15.88 (.625)	16.48 (.649)	13.34 (.525)	13.94 (.549)	13.97 (.550)	14.58 (.574)	80		20.32 (.800)
16.51 (.650)	17.12 (.674)	17.15 (.675)	17.75 (.699)	14.61 (.575)	15.21 (.599)	15.24 (.600)	15.85 (.624)	85	12.70 (.500)	21.59 (.850)
17.78 (.700)	18.39 (.724)	18.42 (.725)	19.02 (.749)	15.88 (.625)	16.48 (.649)	16.51 (.650)	17.12 (.674)	90		22.86 (.900)
19.05 (.750)	19.66 (.774)	19.69 (.775)	20.29 (.799)	17.15 (.675)	17.75 (.699)	17.78 (.700)	18.39 (.724)	95	15.24 (.600)	24.13 (.950)
20.32 (.800)	20.93 (.824)	20.96 (.825)	21.56 (.849)	18.42 (.725)	19.02 (.749)	19.05 (.750)	19.66 (.774)	100		25.40 (1.00)

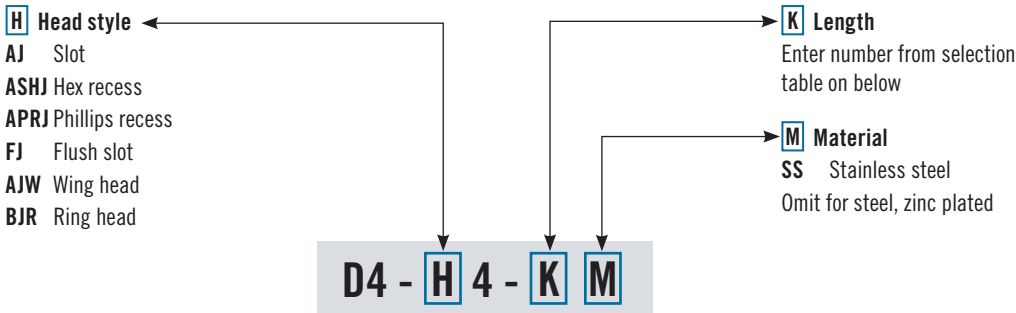
**Flush**



**Standard**



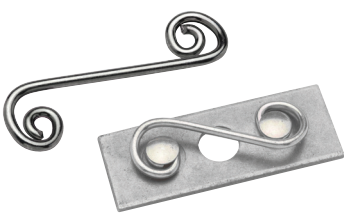
**Part Number Selection**



Stud Length Table						
C				K	U	L
TMT Range For: Clip-On Receptacle D4-SL4-305		TMT Range For: Clip-On Receptacle D4-SL4-280				
Min.	Max.	Min.	Max.			
~	~	~	~	25	1.91 (.075)	6.35 (.250)
~	~	1.17 (.046)	1.78 (.070)	30	2.54 (.100)	7.62 (.300)
1.80 (.071)	2.41 (.095)	2.44 (.096)	3.05 (.120)	35	3.81 (.150)	8.89 (.350)
3.07 (.121)	3.68 (.145)	3.71 (.146)	4.32 (.170)	40	5.08 (.200)	10.16 (.400)
4.34 (.171)	4.95 (.195)	4.98 (.196)	5.59 (.220)	45	5.72 (.225)	11.43 (.450)
5.61 (.221)	6.22 (.245)	6.25 (.246)	6.86 (.270)	50	6.35 (.250)	12.70 (.500)
6.88 (.271)	7.49 (.295)	7.52 (.296)	8.13 (.320)	55	6.99 (.275)	13.97 (.550)
8.15 (.321)	8.76 (.345)	8.79 (.346)	9.40 (.370)	60	7.62 (.300)	15.24 (.600)
9.42 (.371)	10.03 (.395)	10.06 (.396)	10.67 (.420)	65	8.89 (.350)	16.51 (.650)
10.69 (.421)	11.30 (.445)	11.33 (.446)	11.94 (.470)	70		17.78 (.700)
11.96 (.471)	12.57 (.495)	12.60 (.496)	13.21 (.520)	75	10.16 (.400)	19.05 (.750)
13.23 (.521)	13.84 (.545)	13.87 (.546)	14.48 (.570)	80		20.32 (.800)
14.50 (.571)	15.11 (.595)	15.14 (.596)	15.75 (.620)	85		12.7 (.500)
15.77 (.621)	16.38 (.645)	16.41 (.646)	17.02 (.670)	90	15.24 (.600)	22.86 (.900)
17.04 (.671)	17.65 (.695)	17.68 (.696)	18.29 (.720)	95		24.13 (.950)
18.31 (.721)	18.92 (.745)	18.95 (.746)	19.56 (.770)	100		25.40 (1.00)

Stud Length Table					
D			K	U	L
TMT Range For: Snap-In - Rear Mount Receptacle D4-SQC4-F					
Min.	Max.	D4-GP4B			
0.48 (.019)	1.09 (.043)	None	45	5.72 (.225)	11.43 (.450)
1.12 (.044)	1.73 (.068)	One	50	6.35 (.250)	12.70 (.500)
1.75 (.069)	2.36 (.093)	None	50		
2.39 (.094)	3.00 (.118)	One	55	6.99 (.275)	13.97 (.550)
3.02 (.119)	3.63 (.143)	None	55		
3.66 (.144)	4.27 (.168)	One	60		
4.29 (.169)	4.90 (.193)	None	60	7.62 (.300)	15.24 (.600)
4.93 (.194)	5.54 (.218)	One	65		
5.56 (.219)	6.17 (.243)	None	65	8.89 (.350)	16.51 (.650)
6.20 (.244)	6.81 (.268)	One	70		
6.83 (.269)	7.44 (.293)	None	70		
7.47 (.294)	8.08 (.318)	One	75		
8.10 (.319)	8.71 (.343)	None	75	10.16 (.400)	19.05 (.750)
8.74 (.344)	9.35 (.368)	One	80		
9.37 (.369)	9.98 (.393)	None	80		
					17.78 (.700)
					20.32 (.800)

- 82
- 85
- D8
- D9
- D1
- D4**
- D5
- D7
- NY



# D4 DZUS® Standard Line Quarter-Turn Fasteners

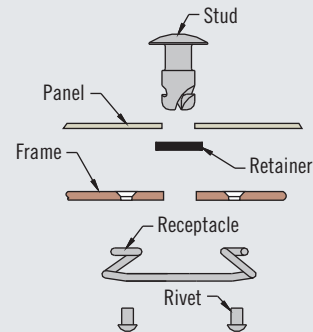
## Receptacles · Size 4

### Material and Finish

Steel, zinc plated or stainless steel

### Notes

After selecting receptacle use stud selection letter **A** and follow instruction on page 482

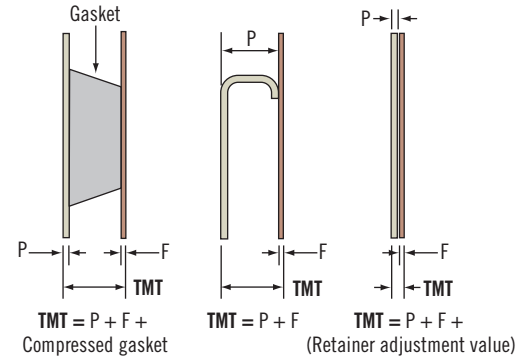
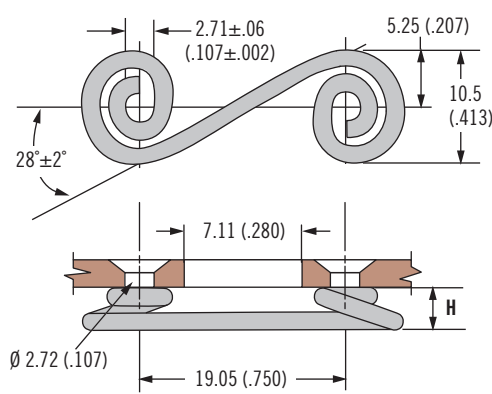


### Part Number

See table

Utilize stud selection column indicated when choosing a stud length from the stud length table on page 482-483

### Rivet-On



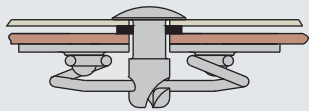
Part Number		H	Stud Selection Column
Steel	Stainless Steel		
D4-S4-200	D4-S4-200SS	5.08 (.200)	A
D4-S4-225	D4-S4-225SS	5.72 (.225)	

### Material and Finish

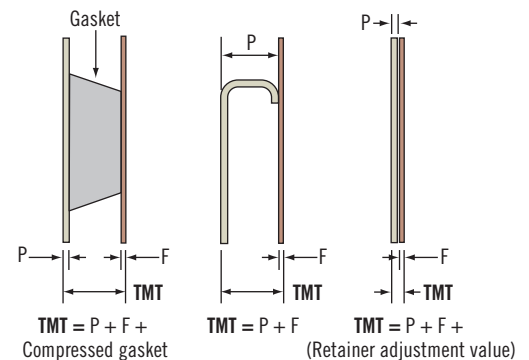
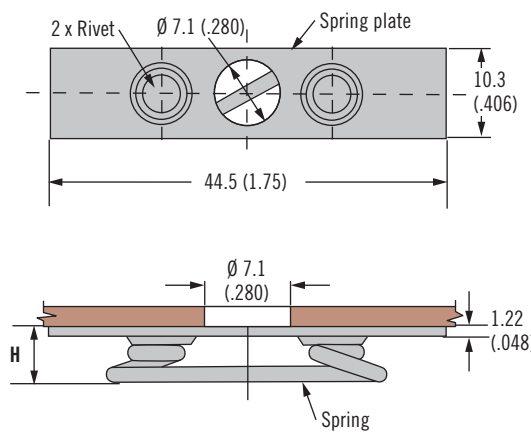
Steel, zinc plated or stainless steel

### Notes

After selecting receptacle use stud selection letter **B** and follow instruction on page 482



### Weld-On



Part Number		H	Stud Selection Column
Steel	Stainless Steel		
D4-X485-275	D4-X485-275SS	6.98 (.275)	B
D4-X485-300	D4-X485-300SS	7.62 (.300)	

### Part Number

See table

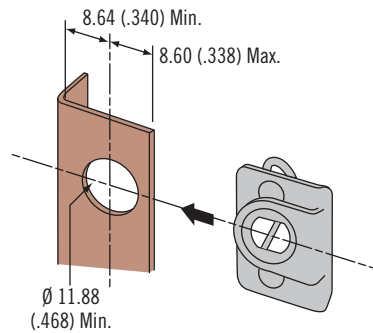
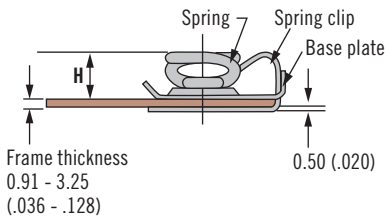
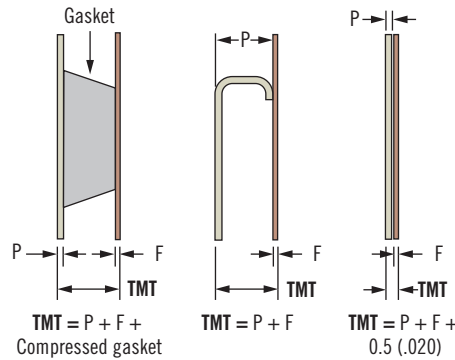
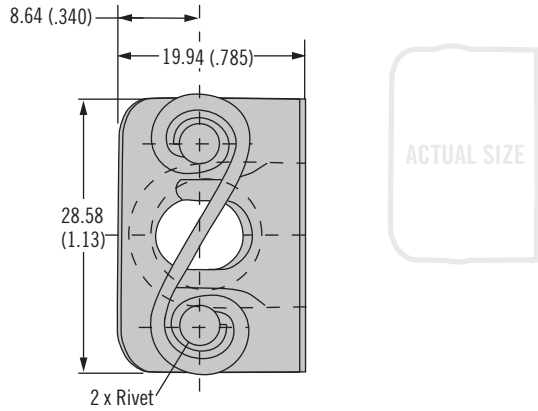
Utilize stud selection column indicated when choosing a stud length from the stud length table on page 482-483

# D4 DZUS® Standard Line Quarter-Turn Fasteners

## Receptacles · Size 4



### Clip-On



Part Number	H	Stud Selection Column
D4-SL4-280	7.11 (.280)	C
D4-SL4-305	7.75 (.305)	

### Material and Finish

Steel, zinc plated

### Notes

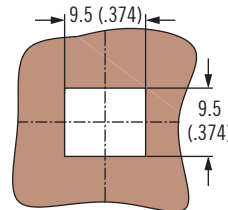
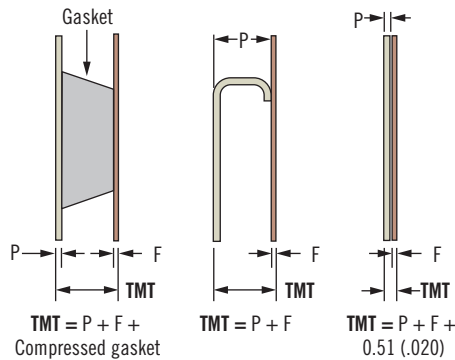
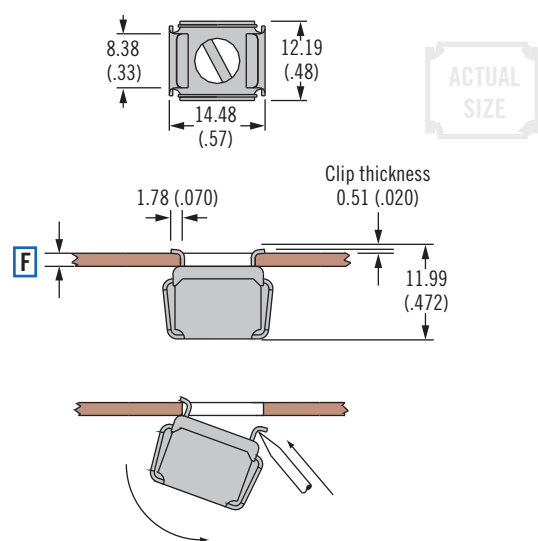
After selecting receptacle use stud selection letter **C** and follow instruction on page 482

### Part Number

See table

Utilize stud selection column indicated when choosing a stud length from the stud length table on pages 482-483

### Snap-In – Rear Mount



Part Number	F Frame Thickness	H	Stud Selection Column
D4-SQC4-16	0.78 - 1.42 (.031 - .056)	11.48 (.452)	D
D4-SQC4-20	1.47 - 1.98 (.058 - .078)	11.48 (.452)	
D4-SQC4-25	2 - 2.49 (.079 - .098)	11.48 (.452)	
D4-SQC4-30	2.59 - 3.18 (.102 - .125)	11.48 (.452)	

### Material and Finish

Steel, zinc plated

### Installation Notes

For stud retention use only retaining ring part number: D4-RR4

### Notes

After selecting receptacle use stud selection letter **D** and follow instruction on page 482

### Part Number

See table

Utilize stud selection column indicated when choosing a stud length from the stud length table on page 482-483





# D4 *DZUS*® Standard Line Quarter-Turn Fasteners

Stud selection · Size 5

## Material and Finish

Studs:  
Steel, zinc plated or stainless steel

82

85

D8

D9

D1

**D4**

D5

D7

NY

## To select correct fastener:

### 1. Select receptacle

Choose a receptacle from pages 488-489

### 2. Select retainer and accessories

from pages 480-481 and note any adjustment values

### 3. Specify stud length

Calculate the total material thickness (TMT) using the formula given for the receptacle selected. Find the range of TMT using the stud length selection table (right) using the column (A, B or C) given for the receptacle selected.

### 4. Complete the stud part number

by specifying the head style **H**, stud length **K**, and material **M**

Example:

For rivet-on

D4-S5-225 use column A

For TMT value calculated as 5.21 (.205), K = 40

For slotted head style in steel material, completed part number: D4-AJ5-40

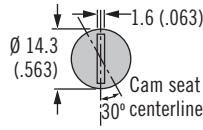
A complete example can be found on page 427.

## Notes

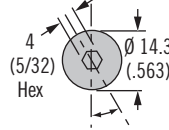
Stainless steel material may require a higher minimum order quantity. Contact Southco for details.

## H Head Styles - Tool Actuated

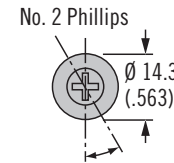
Slot



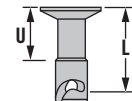
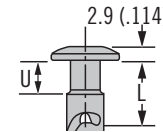
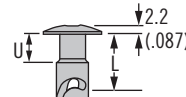
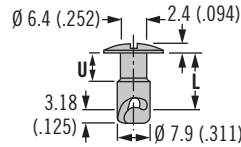
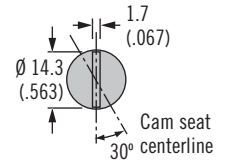
Hex Recess



Phillips Recess

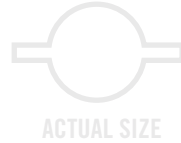
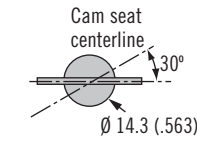


Flush slot

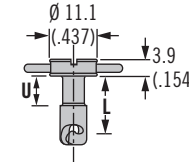
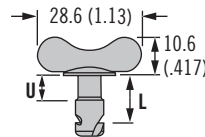
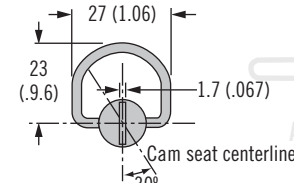


## H Head Styles - Hand Actuated

Wing

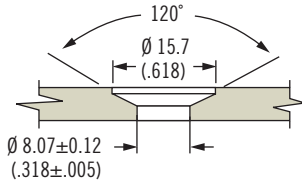


Bail

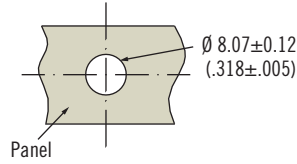


Stud Length Table										
A				B				U	L	K
TMT Range For: Rivet-On Receptacle D4-S5-225		TMT Range For: Rivet-On Receptacle D4-S5-200		TMT Range For: Weld-On Receptacle D4-X414-310		TMT Range For: Weld-On Receptacle D4-X414-285				
Min.	Max.	Min.	Max.	Min.	Max.	Min.	Max.			
2.67 (.105)	3.28 (.129)	3.3 (.13)	3.91 (.154)	~	~	~	~	3.18 (.125)	7.62 (.300)	<b>30</b>
3.94 (.155)	4.55 (.179)	4.57 (.18)	5.18 (.204)	1.65 (.065)	2.26 (.089)	2.29 (.09)	2.9 (.114)		8.89 (.350)	<b>35</b>
5.21 (.205)	5.82 (.229)	5.84 (.23)	6.45 (.254)	2.92 (.115)	3.53 (.139)	3.56 (.14)	4.17 (.164)	4.83 (.200)	10.16 (.400)	<b>40</b>
6.48 (.255)	7.09 (.279)	7.11 (.28)	7.72 (.304)	4.19 (.165)	4.8 (.189)	4.83 (.19)	5.44 (.214)		11.43 (.450)	<b>45</b>
7.75 (.305)	8.36 (.329)	8.38 (.33)	8.99 (.354)	5.46 (.215)	6.07 (.239)	6.1 (.24)	6.71 (.264)	6.35 (.250)	12.70 (.500)	<b>50</b>
9.02 (.355)	9.63 (.379)	9.65 (.38)	10.26 (.404)	6.73 (.265)	7.34 (.289)	7.37 (.29)	7.98 (.314)	6.99 (.275)	13.97 (.550)	<b>55</b>
10.29 (.405)	10.9 (.429)	10.92 (.43)	11.53 (.454)	8.00 (.315)	8.61 (.339)	8.64 (.34)	9.25 (.364)	7.62 (.300)	15.24 (.600)	<b>60</b>
11.56 (.455)	12.17 (.479)	12.19 (.48)	12.8 (.504)	9.27 (.365)	9.88 (.389)	9.91 (.39)	10.52 (.414)	8.89 (.350)	16.51 (.650)	<b>65</b>
12.83 (.505)	13.44 (.529)	13.46 (.53)	14.07 (.554)	10.54 (.415)	11.15 (.439)	11.18 (.44)	11.79 (.464)	10.16 (.400)	17.78 (.700)	<b>70</b>
14.1 (.555)	14.71 (.579)	14.73 (.58)	15.34 (.604)	11.81 (.465)	12.42 (.489)	12.45 (.49)	13.06 (.514)		19.05 (.750)	<b>75</b>
15.37 (.605)	15.98 (.629)	16.00 (.63)	16.61 (.654)	13.08 (.515)	13.69 (.539)	13.72 (.54)	14.33 (.564)	12.7 (.500)	20.32 (.800)	<b>80</b>
16.64 (.655)	17.25 (.679)	17.27 (.68)	17.88 (.704)	14.35 (.565)	14.96 (.589)	14.99 (.59)	15.6 (.614)		21.59 (.850)	<b>85</b>
17.91 (.705)	18.52 (.729)	18.54 (.73)	19.15 (.754)	15.62 (.615)	16.23 (.639)	16.26 (.64)	16.87 (.664)	15.24 (.600)	22.86 (.900)	<b>90</b>
19.18 (.755)	19.79 (.779)	19.81 (.78)	20.42 (.804)	16.89 (.665)	17.5 (.689)	17.53 (.69)	18.14 (.714)		24.13 (.950)	<b>95</b>
20.45 (.805)	21.06 (.829)	21.08 (.83)	21.69 (.854)	18.16 (.715)	18.77 (.739)	18.8 (.74)	19.41 (.764)	17.78 (.70)	25.40 (1.00)	<b>100</b>

**Flush**



**Standard**



**Part Number Selection**

**H** Head style

- AJ Slot
- ASHJ Hex recess
- APRJ Phillips recess
- FJ Flush slot
- AJW Wing head
- BJR Bail head

**K** Length

Enter number from selection table below

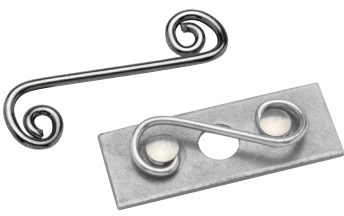
**M** Material

- SS Stainless steel
- Omit for steel, zinc plated

**D4 - H 5 - K M**

**Stud Length Table**

TMT Range For: Clip-On Receptacle D4-SL5-305		TMT Range For: Clip-On Receptacle D5-SL5-280		U	L	K
Min.	Max.	Min.	Max.			
~	~	1.17 (.046)	1.78 (.07)	3.18 (.125)	7.62 (.300)	<b>30</b>
1.8 (.071)	2.41 (.095)	2.44 (.096)	3.05 (.12)		8.89 (.350)	<b>35</b>
3.07 (.121)	3.68 (.145)	3.71 (.146)	4.32 (.17)	4.83 (.200)	10.16 (.400)	<b>40</b>
4.34 (.171)	4.95 (.195)	4.98 (.196)	5.59 (.22)		11.43 (.450)	<b>45</b>
5.61 (.221)	6.22 (.245)	6.25 (.246)	6.86 (.27)	6.35 (.250)	12.70 (.500)	<b>50</b>
6.88 (.271)	7.49 (.295)	7.52 (.296)	8.13 (.32)	6.99 (.275)	13.97 (.550)	<b>55</b>
8.15 (.321)	8.76 (.345)	8.79 (.346)	9.4 (.37)	7.62 (.300)	15.24 (.600)	<b>60</b>
9.42 (.371)	10.03 (.395)	10.06 (.396)	10.67 (.42)	8.89 (.350)	16.51 (.650)	<b>65</b>
10.69 (.421)	11.3 (.445)	11.33 (.446)	11.94 (.47)	10.16 (.400)	17.78 (.700)	<b>70</b>
11.96 (.471)	12.57 (.495)	12.6 (.496)	13.21 (.52)		19.05 (.750)	<b>75</b>
13.23 (.521)	13.84 (.545)	13.87 (.546)	14.48 (.57)	12.7 (.500)	20.32 (.800)	<b>80</b>
14.5 (.571)	15.11 (.595)	15.14 (.596)	15.75 (.62)		21.59 (.850)	<b>85</b>
15.77 (.621)	16.38 (.645)	16.41 (.646)	17.02 (.67)	15.24 (.600)	22.86 (.900)	<b>90</b>
17.04 (.671)	17.65 (.695)	17.68 (.696)	18.29 (.72)		24.13 (.950)	<b>95</b>
18.31 (.721)	18.92 (.745)	18.95 (.746)	19.56 (.77)	17.78 (.70)	25.40 (1.00)	<b>100</b>

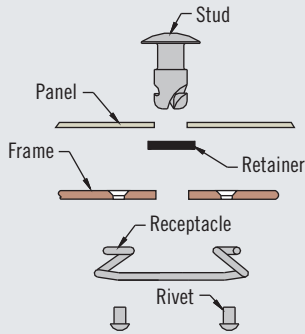


# D4 DZUS® Standard Line Quarter-Turn Fasteners

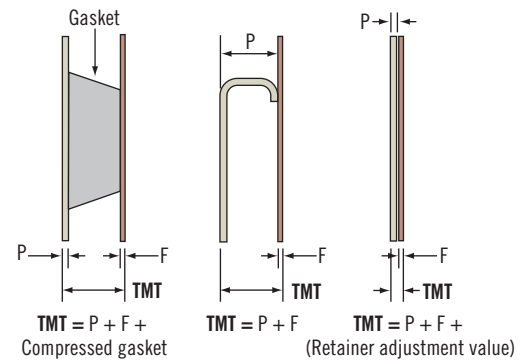
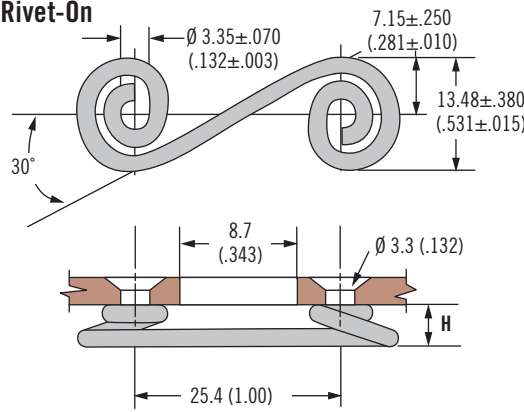
## Receptacles · Size 5

### Material and Finish

Steel, zinc plated or stainless steel



### Rivet-On



Part Number		H	Stud Selection Column
Steel	Stainless Steel		
D4-S5-200	D4-S5-200SS	5.08 (.200)	A
D4-S5-225	D4-S5-225SS	5.72 (.225)	

### Part Number

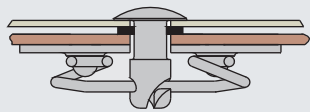
See table

### Notes

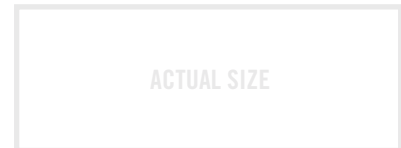
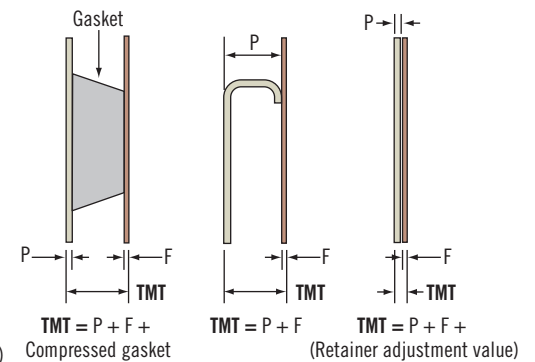
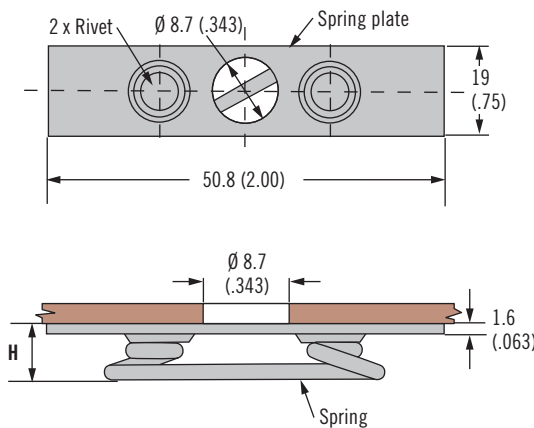
Utilize stud selection column indicated when choosing a stud length from the stud length table on pages 486-487

### Material and Finish

Steel, zinc plated or stainless steel



### Weld-On



Part Number		H	Stud Selection Column
Steel	Stainless Steel		
D4-X414-285	D4-X414-285SS	7.2 (.285)	B
D4-X414-310	D4-X414-310SS	7.9 (.310)	

### Part Number

See table

### Notes

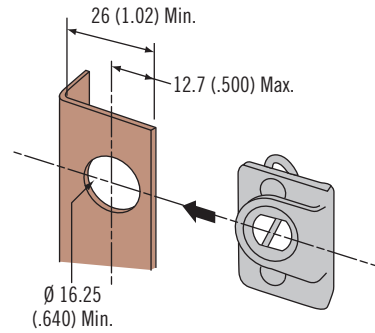
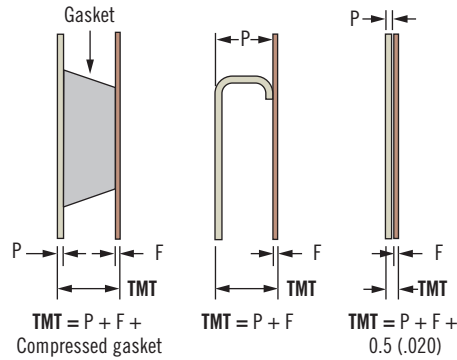
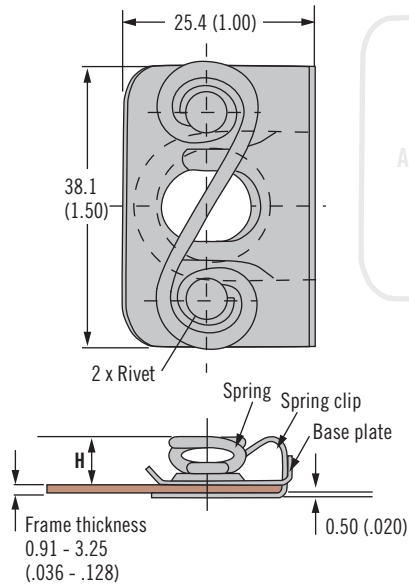
Utilize stud selection column indicated when choosing a stud length from the stud length table on pages 486-487

# D4 DZUS® Standard Line Quarter-Turn Fasteners

## Receptacles · Size 5



### Clip-On



Note:  
Panel misalignment can be tolerated by increasing the support hole to 17.86 (.703) and decreasing the hole center to edge distance to 11.43 (.450)

Part Number	H	Stud Selection Column
D4-SL5-280	7.11 (.280)	C
D4-SL5-305	7.75 (.305)	

### Material and Finish

Steel, zinc plated

82

85

D8

D9

D1

D4

D5

D7

NY



### Part Number

See table

### Notes

Utilize stud selection column indicated when choosing a stud length from the stud length table on pages 486-487



# D4 DZUS® Standard Line Quarter-Turn Fasteners

Stud selection · Size 6

## Material and Finish

Studs:  
Steel, zinc plated or stainless steel

- 82
- 85
- D8
- D9
- D1
- D4**
- D5
- D7
- NY

### To select correct fastener:

#### 1. Select receptacle

Choose a receptacle from page 491

#### 2. Select retainer and accessories

from pages 480-481 and note any adjustment values

#### 3. Specify stud length

Calculate the total material thickness (TMT) using the formula given for the receptacle selected. Find the range of TMT using the stud length selection table (right) using the column (A or B) given for the receptacle selected.

#### 4. Complete the stud part number

by specifying the head style **H**, stud length **K**, and material **M**

Example:

For rivet-on

D4-S6-300 use column A

For TMT value calculated as 5.2 (.206), K = 45

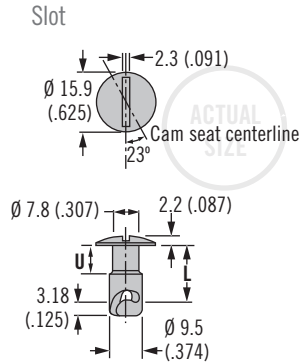
For slotted head style in steel material, completed part number: D4-AJ6-45

A complete example can be found on page 435.

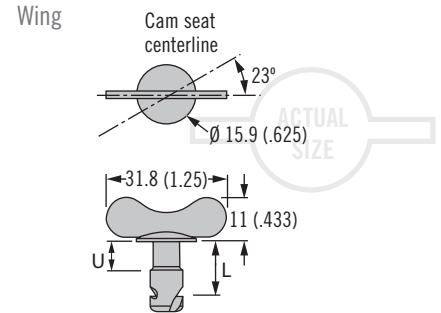
#### Notes

Stainless steel material may require a higher minimum order quantity. Contact Southco for details.

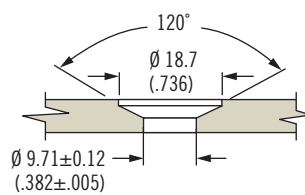
### H Head Styles - Tool Actuated



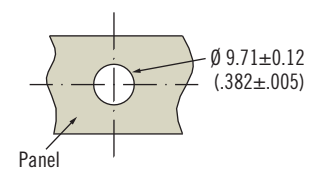
### H Head Styles - Hand Actuated



### Flush



### Standard



### H Head style

- AJ Slot recess
- AJW Wing head
- FJ Flush slot

### K Length

Enter number from selection table below

### M Material

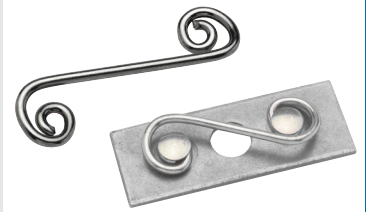
- SS Stainless steel
- Omit for steel, zinc plated

**D4 - H 6 - K M**

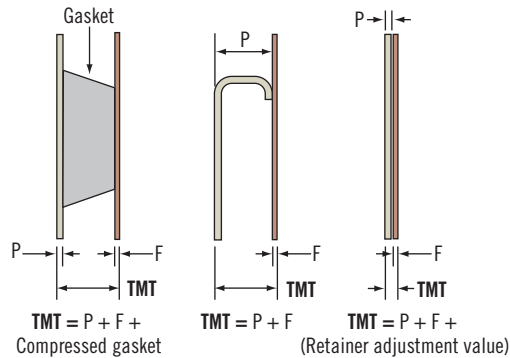
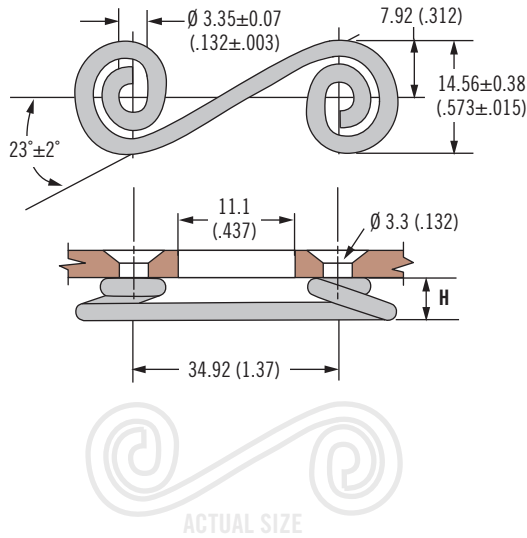
Stud Length Table										
A				B				U	L	K
TMT Range For: Rivet-On Receptacle D4-S6-300		TMT Range For: Rivet-On Receptacle D4-S6-275		TMT Range For: Weld-On Receptacle D4-X441-335		TMT Range For: Weld-On Receptacle D4-X441-310				
Min.	Max.	Min.	Max.	Min.	Max.	Min.	Max.			
2.29 (.090)	2.90 (.114)	2.92 (.115)	3.53 (.139)	1.40 (.055)	2.01 (.079)	2.03 (.080)	2.64 (.104)	4.45 (.175)	8.89 (.350)	<b>35</b>
3.56 (.140)	4.17 (.164)	4.19 (.165)	4.80 (.189)	2.67 (.105)	3.28 (.129)	3.30 (.130)	3.91 (.154)	5.08 (.200)	10.16 (.400)	<b>40</b>
4.83 (.190)	5.44 (.214)	5.46 (.215)	6.07 (.239)	3.94 (.155)	4.55 (.179)	4.57 (.180)	5.18 (.204)	5.72 (.225)	11.43 (.450)	<b>45</b>
6.10 (.240)	6.71 (.264)	6.73 (.265)	7.34 (.289)	5.21 (.205)	5.82 (.229)	5.84 (.230)	6.45 (.254)	6.35 (.250)	12.70 (.500)	<b>50</b>
7.37 (.290)	7.98 (.314)	8.00 (.315)	8.61 (.339)	6.48 (.255)	7.09 (.279)	7.11 (.280)	7.72 (.304)	6.99 (.275)	13.97 (.550)	<b>55</b>
8.64 (.340)	9.25 (.364)	9.27 (.365)	9.88 (.389)	7.75 (.305)	8.36 (.329)	8.38 (.330)	8.99 (.354)	7.62 (.300)	15.24 (.600)	<b>60</b>
9.91 (.390)	10.52 (.414)	10.54 (.415)	11.15 (.439)	9.02 (.355)	9.63 (.379)	9.65 (.380)	10.26 (.404)	8.89 (.350)	16.51 (.650)	<b>65</b>
11.18 (.440)	11.79 (.464)	11.81 (.465)	12.42 (.489)	10.29 (.405)	10.90 (.429)	10.92 (.430)	11.53 (.454)		17.78 (.700)	<b>70</b>
12.45 (.490)	13.06 (.514)	13.08 (.515)	13.69 (.539)	11.56 (.455)	12.17 (.479)	12.19 (.480)	12.80 (.504)	10.16 (.400)	19.05 (.750)	<b>75</b>
13.72 (.540)	14.33 (.564)	14.35 (.565)	14.96 (.589)	12.83 (.505)	13.44 (.529)	13.46 (.530)	14.07 (.554)	11.43 (.450)	20.32 (.800)	<b>80</b>
14.99 (.590)	15.60 (.614)	15.62 (.615)	16.23 (.639)	14.10 (.555)	14.71 (.579)	14.73 (.580)	15.34 (.604)	12.7 (.500)	21.59 (.850)	<b>85</b>
16.26 (.640)	16.87 (.664)	16.89 (.665)	17.50 (.689)	15.37 (.605)	15.98 (.629)	16.00 (.630)	16.61 (.654)	13.97 (.550)	22.86 (.900)	<b>90</b>
17.53 (.690)	18.14 (.714)	18.16 (.715)	18.77 (.739)	16.64 (.655)	17.25 (.679)	17.27 (.680)	17.88 (.704)	15.24 (.600)	24.13 (.950)	<b>95</b>
18.80 (.740)	19.41 (.764)	19.43 (.765)	20.04 (.789)	17.91 (.705)	18.52 (.729)	18.54 (.730)	19.15 (.754)	16.51 (.650)	25.40 (1.00)	<b>100</b>

# D4 *DZUS*® Standard Line Quarter-Turn Fasteners

## Receptacles · Size 6



### Rivet-On

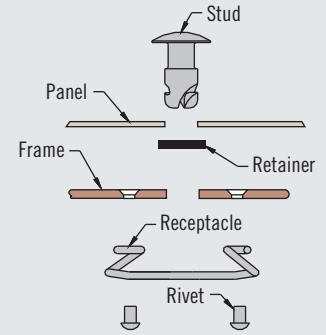


### Material and Finish

Steel, zinc plated or stainless steel

### Notes

After selecting receptacle use stud selection letter **A** and follow instruction on page 490

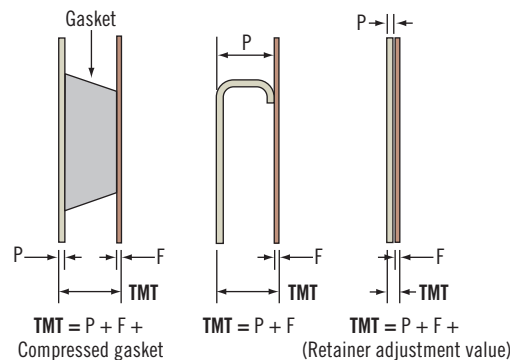
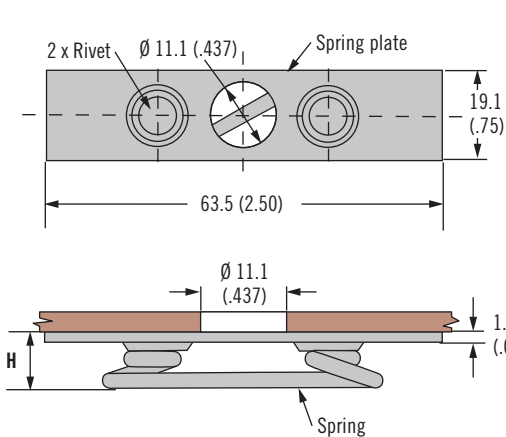


Part Number		H	Stud Selection Column
Steel	Stainless Steel		
D4-S6-275	D4-S6-275SS	6.99 (.275)	A
D4-S6-300	D4-S6-300SS	7.62 (.300)	

### Part Number

See table

### Weld-On

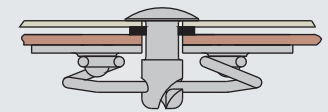


### Material and Finish

Steel, zinc plated

### Notes

After selecting receptacle use stud selection letter **B** and follow instruction on page 490



Part Number	H	Stud Selection Column
D4-X441-310	7.87 (.310)	B
D4-X441-335	8.51 (.335)	

### Part Number

See table