



E9 Quarter Turn Compression Latch

Zinc housing · Tool operated

Fixed or Adjustable grip · 20.1 mm size

- Quarter turn actuation
- Rotates and compresses at same time
- Consistent pre-set compression
- Tool operated for security

Material and Finish

Zinc alloy, powder coated or chrome plated and steel, zinc plated.

Performance Details

Compression: 4.0 mm (.16 in)
 Maximum static load:
 Fixed Grip: 250 N (56 lbf)

Sealing Notes

NEMA 4 and IP66/IP67

Installation Notes

Recommended tightening torque for the mounting nut is 20 N·m (176 in·lbf)
 Fixed Grip: Mounting screw torque 5 N·m (44 in·lbf)

Keys

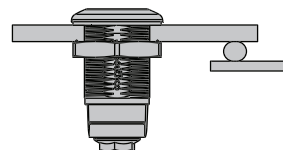
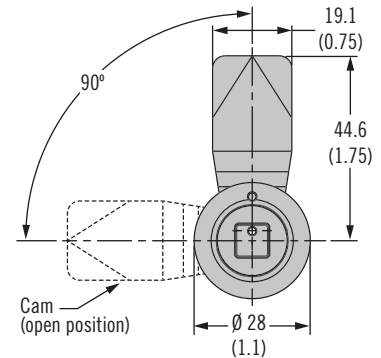
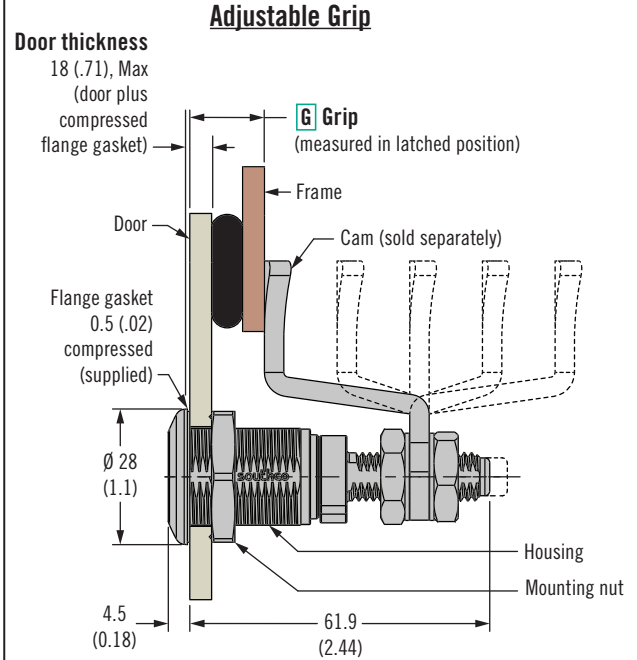
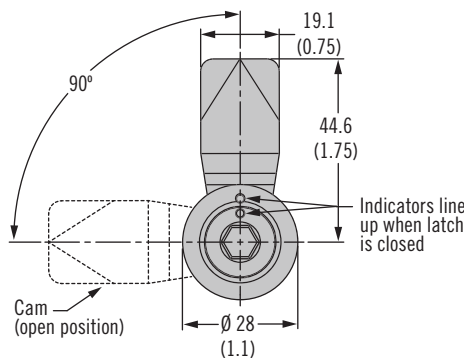
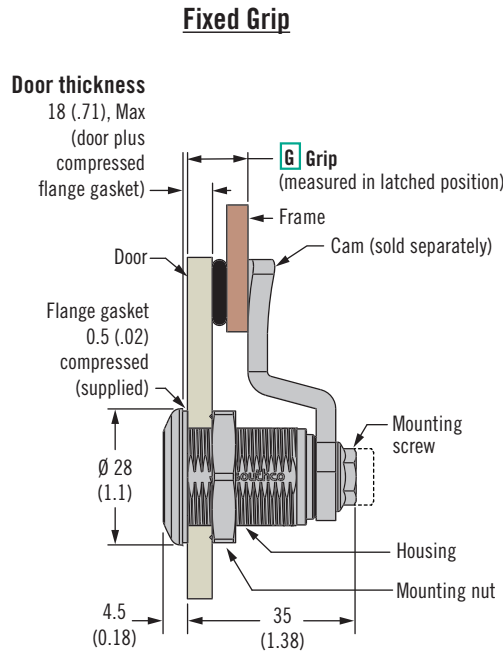
See page 121

Accessories

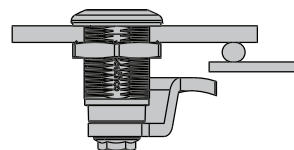
See pages 174-175

Optional Keeper for Roller Cam

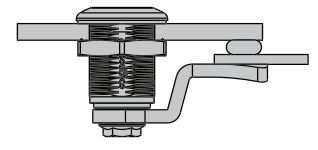
Part number E5-74-601-33 (if selected, add 4 mm to grip calculation)



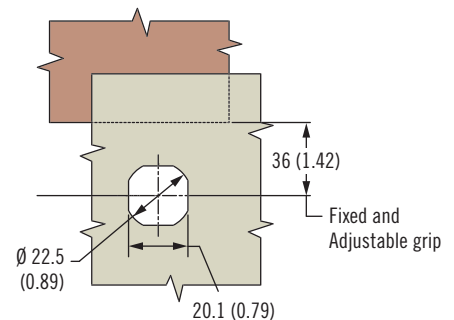
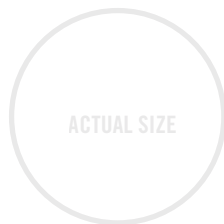
The first 30° turn: Cam rotates behind the frame



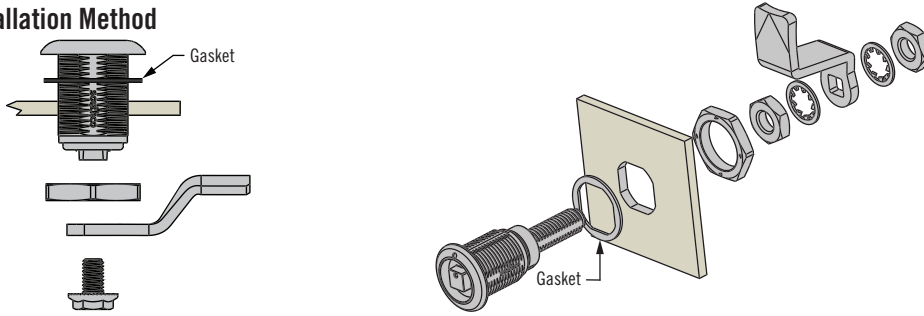
The cam then compresses during the remaining rotation



Completing the quarter turn motion, the shaft and cam compress to pull the door against the frame



Latch Installation Method



Part Number Selection

Order latch and cam separately

R Rotation

M Finish

E9 - A0 HH R - 0 M

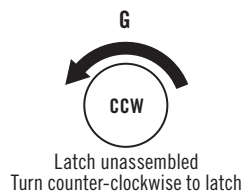
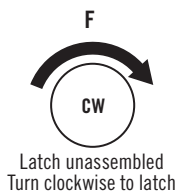
- 1 Black powder coated
- 2 Silver powder coated
- 3 Chrome Plated

HH Head Styles

00	01	02	03	04	05	06	07	08	09
Slotted recess	8 (.32) Hex recess	7 (.28) Triangle	8 (.32) Triangle	7 (.28) Square	8 (.32) Square	3 (.11) Double bit	5 (.19) Double bit	8 (.32) Square recess	SOUTHCO® Tubular key
10	11	12							
Bellcore 216	Bellcore electronics	Railway standard							

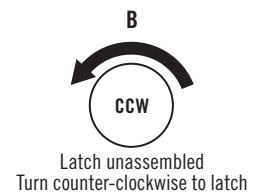
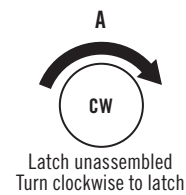
R Rotation

Fixed Grip

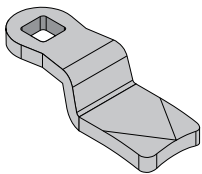


R Rotation

Adjustable Grip

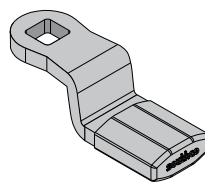


Cam Options – See Page 112



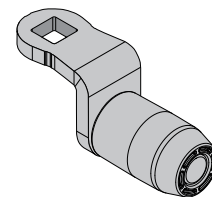
Cam

- Stable frame engagement
- Improved surface contact
- Minimal frame surface prep



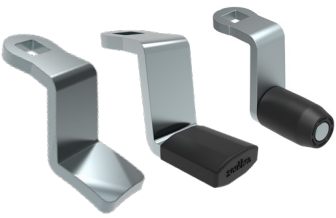
Protected Cam

- Protective cam covering
- Provides smoother operation
- Reduces scratching frame



Roller Cam

- Reduces operating effort
- Minimize scratching frame finish
- Detented feel (with optional keeper)



E9 Quarter Turn Compression Latch Accessories

Cams

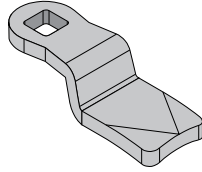
Material and Finish

Cam: Steel

Protected cam: Steel, nylon

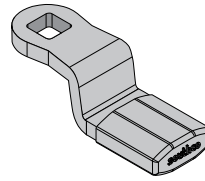
Roller cam: Steel, nylon

Cam Options



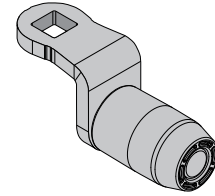
Cam

- Stable frame engagement
- Improved surface contact
- Minimal frame surface prep



Protected Cam

- Protective cam covering
- Provides smoother operation
- Reduces scratching frame



Roller Cam

- Reduces operating effort
- Minimize scratching frame finish
- Detented feel (with optional keeper)

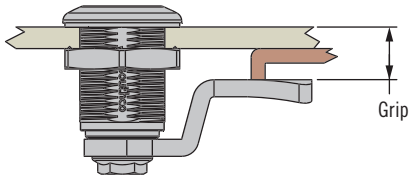
Fixed Grip Cams – for use with E9 zinc latches

Cam Part Number Table (order separately from latch)

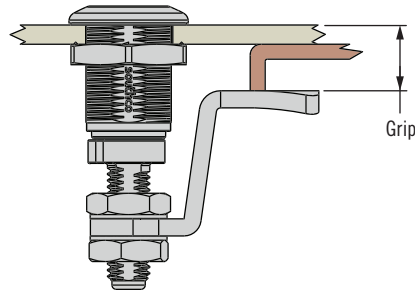
Grip	Cam Part Number	Grip	Protected Cam Part Number	Grip	Roller Cam Part Number
1 (.04)	E5-6126	1 (.04)	E5-6121-P	1 (.04)	E5-7116
3 (.12)	E5-6125	3 (.12)	E5-6120-P	3 (.12)	E5-7115
5 (.20)	E5-6124	5 (.20)	E5-6119-P	5 (.20)	E5-7114
7 (.28)	E5-6123	7 (.28)	E5-6118-P	7 (.28)	E5-7113
9 (.35)	E5-6101	9 (.35)	E5-6117-P	9 (.35)	E5-7112
11 (.43)	E5-6102	11 (.43)	E5-6116-P	11 (.43)	E5-7111
13 (.51)	E5-6103	13 (.51)	E5-6115-P	13 (.51)	E5-7110
15 (.59)	E5-6104	15 (.59)	E5-6114-P	15 (.59)	E5-7109
17 (.67)	E5-6105	17 (.67)	E5-6113-P		
19 (.75)	E5-6106	19 (.75)	E5-6112-P		
21 (.83)	E5-6107	21 (.83)	E5-6111-P		
23 (.91)	E5-6108	23 (.91)	E5-6110-P		
25 (.98)	E5-6109	25 (.98)	E5-6109-P	25 (.98)	E5-7109
27 (1.06)	E5-6110	27 (1.06)	E5-6110-P	27 (1.06)	E5-7110
29 (1.14)	E5-6111	29 (1.14)	E5-6111-P	29 (1.14)	E5-7111
31 (1.22)	E5-6112	31 (1.22)	E5-6112-P	31 (1.22)	E5-7112
33 (1.30)	E5-6113	33 (1.30)	E5-6113-P	33 (1.30)	E5-7113
35 (1.38)	E5-6114	35 (1.38)	E5-6114-P	35 (1.38)	E5-7114
37 (1.46)	E5-6115	37 (1.46)	E5-6115-P	37 (1.46)	E5-7115
39 (1.54)	E5-6116	39 (1.54)	E5-6116-P	39 (1.54)	E5-7116
41 (1.61)	E5-6117	41 (1.61)	E5-6117-P	41 (1.61)	E5-7117
43 (1.69)	E5-6118	43 (1.69)	E5-6118-P	43 (1.69)	E5-7118
45 (1.77)	E5-6119	45 (1.77)	E5-6119-P	45 (1.77)	E5-7119
47 (1.85)	E5-6120	47 (1.85)	E5-6120-P	47 (1.85)	E5-7120
49 (1.93)	E5-6121	49 (1.93)	E5-6121-P	49 (1.93)	E5-7121
51 (2.01)	E5-6122	51 (2.01)	E5-6122-P	51 (2.01)	E5-7122
		53 (2.09)	E5-6123-P		

If grip falls between two choices, use smaller option

Fixed Grip Latch



Adjustable Grip Latch



Adjustable Grip Cams – for use with E9 zinc latches

Cam Part Number Table (order separately from latch)

Minimum Grip	Maximum Grip	Cam Type	Part Number
9 (.35)	20.5 (.81)	Offset cam	E5-4128
17 (.67)	28.5 (1.12)	Offset cam	E5-4124
25 (.98)	36.5 (1.44)	Offset cam	E5-4103
33 (1.30)	44.5 (1.75)	Offset cam	E5-4107
41 (1.61)	52.5 (2.07)	Offset cam	E5-4111
49 (1.93)	60.5 (2.38)	Offset cam	E5-4115
57 (2.24)	68.5 (2.70)	Offset cam	E5-4119
63 (2.48)	74.5 (2.93)	Offset cam	E5-4122

Protected Cam Part Number Table (order separately from latch)

Minimum Grip	Maximum Grip	Cam Type	Part Number
14 (.55)	25.5 (1.00)	Deep offset cam, forward	E5-4001
25.5 (1.00)	37 (1.46)	Offset cam, forward	E5-4002
37 (1.46)	48.5 (1.91)	Straight cam	E5-4003
48.5 (1.91)	60 (2.36)	Offset cam, reverse	E5-4002
60 (2.36)	71.5 (2.81)	Deep offset cam, reverse	E5-4001

Roller Cam Part Number Table (order separately from latch)

Minimum Grip	Maximum Grip	Cam Type	Part Number
3.5 (.14)	15 (.59)	Offset cam, forward	E5-4505
7.5 (.30)	19 (.75)	Offset cam, forward	E5-4506
17.5 (.69)	29 (1.14)	Offset cam, forward	E5-4507
27.5 (1.08)	39 (1.54)	Offset cam, forward	E5-4508
37 (1.46)	48.5 (1.91)	Offset cam, reversed	E5-4508
47 (1.85)	58.5 (2.30)	Offset cam, reversed	E5-4507
57 (2.24)	68.5 (2.70)	Offset cam, forward	E5-4506
61 (2.40)	72.5 (2.85)	Offset cam, forward	E5-4505

Optional Keeper for Roller Cam

Part number E5-74-601-33

(if selected, add 4 mm to grip calculation)

