

EM-05-5X Electro-Mechanical Slide Bolt

Push-to-close · Compact size

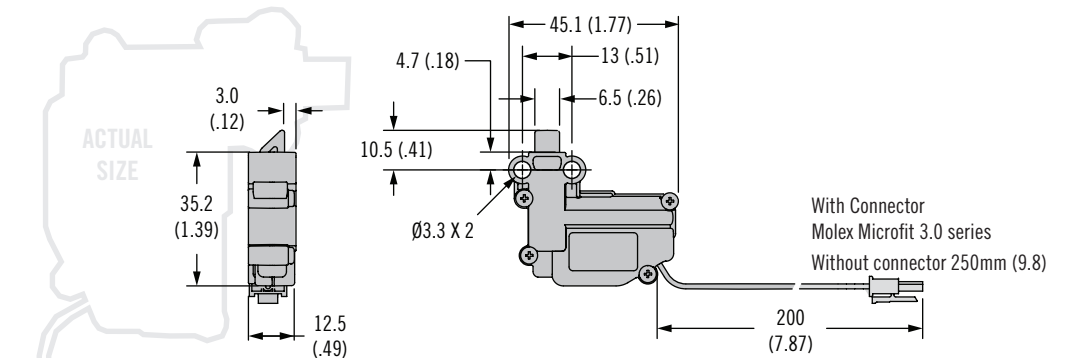
- Push to close/electrical release
- Small, economical, low power slide bolt fits tight spaces
- Retract and Release
- Retract and Hold

Material & Finish

Enclosure: Nylon, black
 Latch Bolt: Acetal, black
 Housing Assembly Screws: Steel, zinc plated

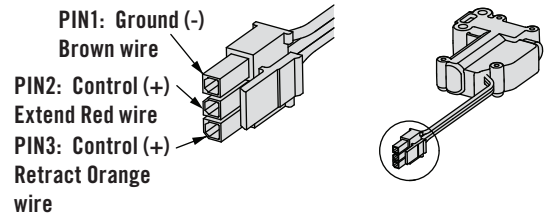
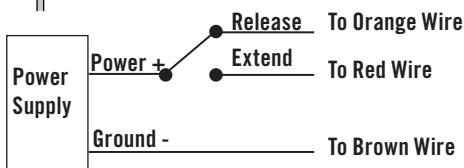
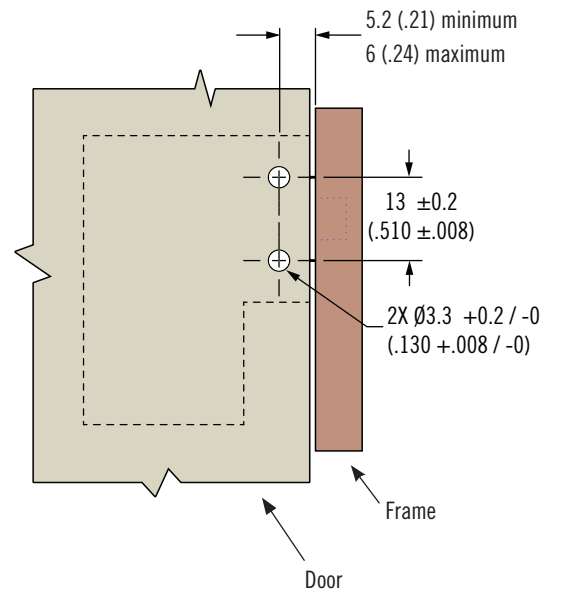
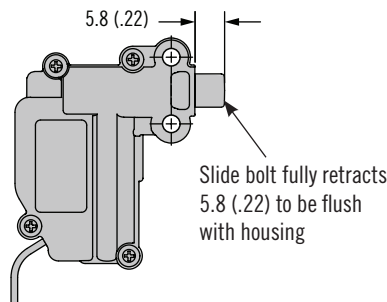
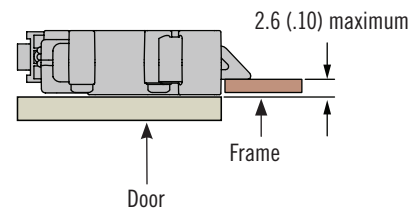
Electrical Specifications

Supply Voltage: 5VDC ±10%
 Operating Current: < 300mA
 Operating Temperature: 0°C to 60°C
 Operating Humidity: 85% max
 No condensation



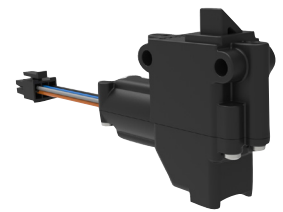
Part Number with Molex Connector	Slide Orientation	Image
EM-05-55-2001	RH	
EM-05-54-2001	LH	
EM-05-53-2001	Up	
EM-05-52-2001	Down	

Installation

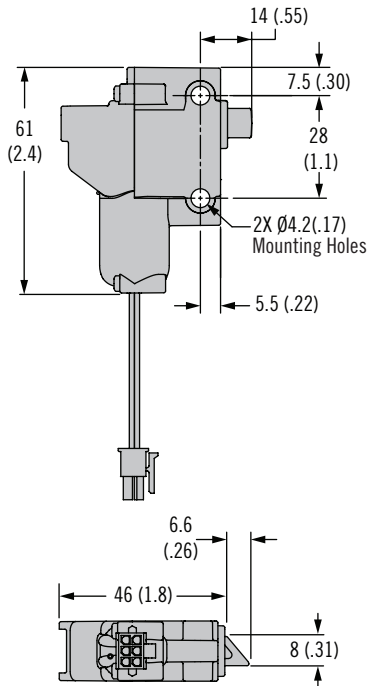


EM-05-4X Electro-Mechanical Slide Bolt

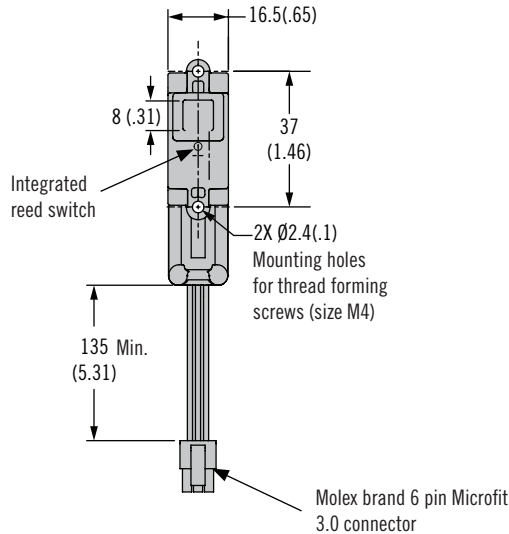
Push-to-close · Integrated Sensing



Perpendicular Mounting Holes

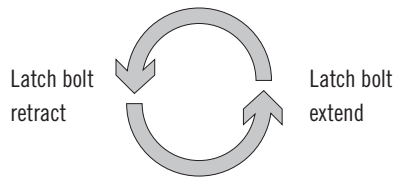
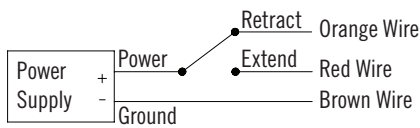


In-Line Mounting Holes

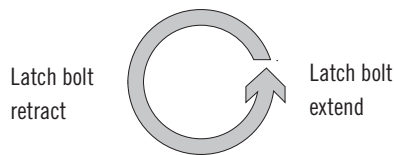
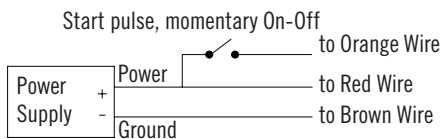


Part Number
EM-05-42-2401

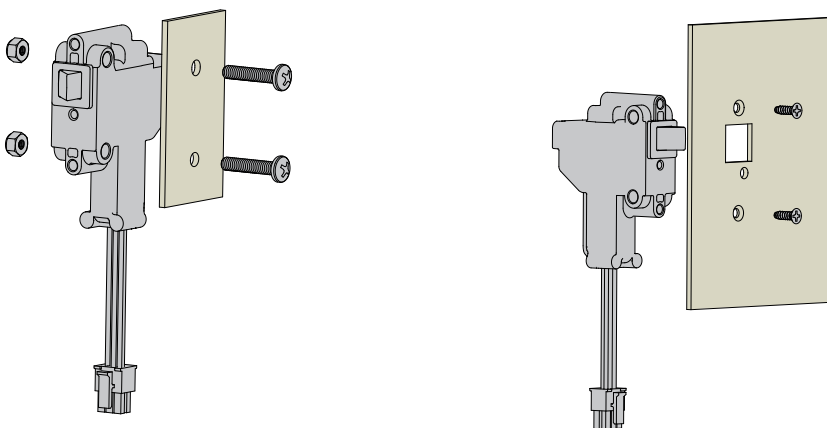
Two Position (Lock-Unlock) Mode



Start Pulse (Auto-Relock) Mode



Mounting Options



- Push to close/electrical release
- Integrated Sensors to monitor door and latch status
- Retract and Release
- Retract and Hold

Material & Finish

Enclosure: Nylon, black
 Latch Bolt: Acetal, black
 Housing Assembly Screws: Steel, zinc plated

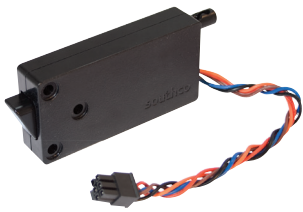
Electronic Specifications

Supply Voltage: 5VDC +/- 10%
 Operating Current: < 300 mA
 Operating Temperature: 0°C - 60°C
 Operating Humidity: 85% max
 No condensation

Notes

Visit Southco.com to download further installation and operation details.

Add -1 to the end of the part number for bulk packaging.



EM-05 Miniature Electronic Slide Bolt

Push-to-close · Compact size · Mechanical override

- Simple transition from mechanical to electronic access
- Microprocessor controlled gear motor
- Minimal power draw
- Optional internal microswitch for latch open/close output signal
- Accepts signals from any electronic actuation source
- Single or multi-point latching

Material & Finish

Enclosure & Latch Bolt:

Thermoplastic

Housing Assembly Screws:

Steel, zinc plated

Electrical Specifications

Recommended Operating Voltage:
12-24 VDC

Typical Operating Current:
Less than 600mA at 12 VDC

Control Input

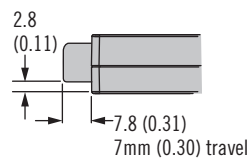
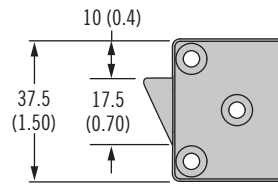
Retracted Position: 12-24 VDC

The latch bolt will remain retracted for as long as the signal is present or a minimum of 1 second.

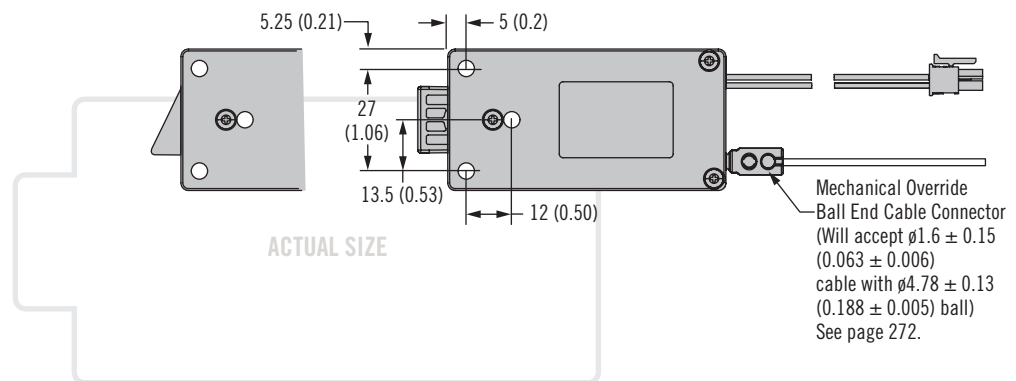
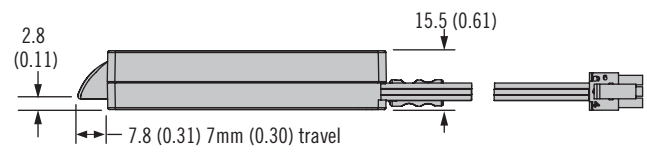
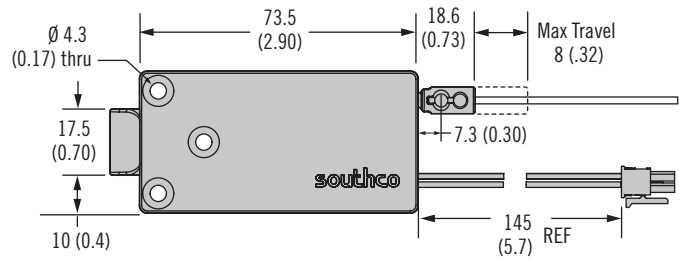
Input Signal Current: 25mA Max at 24 VDC

Extended Position: 0 VDC

Side Mount

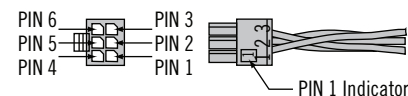


Front Mount



Latch Wiring Connection

Molex Microfit 3.0 series



Wire Color Code / Connector Pin Assignment:

- PIN 1: Brown: Ground (-)
- PIN 2: Red: Power 8 to 26 VDC
- PIN 3: Orange: Control Signal 8 to 26 VDC
- PIN 4: Black: Microswitch Common
- PIN 5: Blue: Microswitch N.O. Contact
- PIN 6: None

Miniature Electronic Keeper Part Numbers

Type	With Mechanical Override		Without Mechanical Override	
	With Switch	Without Switch	With Switch	Without Switch
Front Mount Latch Bolt	EM-05-11-111	EM-05-11-101*	EM-05-11-110	EM-05-11-100
Side Mount Latch Bolt	EM-05-21-111	EM-05-21-101*	EM-05-21-110	EM-05-21-100

* For Mechanical Version of Front Mount Style order part number EM-05-11-001

* For Mechanical Version of Side Mount Style order part number EM-05-21-001
(Mechanical version does not include drive motor or electronics)