

# EM-10 Electronic Slide Bolt

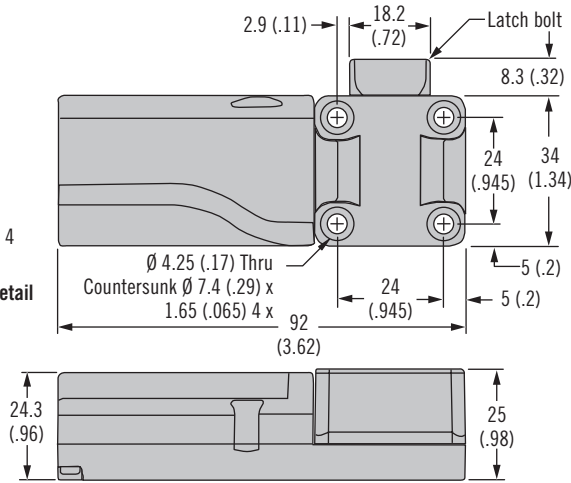
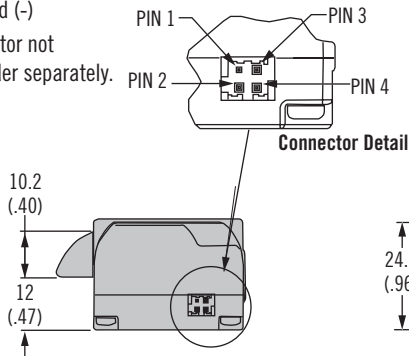
## Push-to-close



### Front Mount (left version shown)

#### Wire Color Code / Connector Pin Assignment:

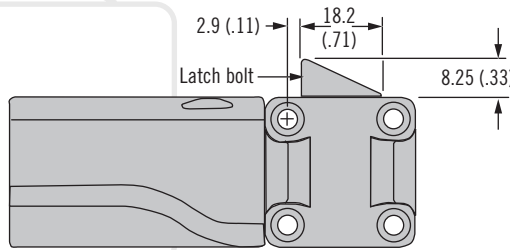
- PIN 1: Control input signal
  - PIN 2: Power (+)
  - PIN 3: Output signal
  - PIN 4: Ground (-)
- Mate connector not included, order separately.




### Side Mount (left version shown)

Dimensions same as Front Mount, except as noted.


ACTUAL SIZE

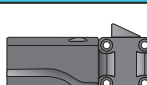
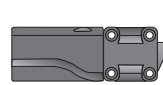
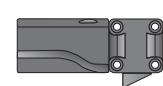



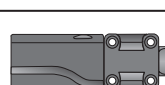
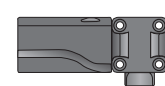
### Wire Harness and Connector

Part Number		Length	
Wire Harness with Mate Connector (order separately)			
EM-10-40	300 (11.81)		
EM-10-41	1000 (39.37)		
EM-10-42	2000 (78.74)		

### Rotation Kit

Part Number		
Rotation Kit * (order separately)	EM-10-32-8	

VDC	Part Numbers	Side Mount Version
12VDC 24VDC	EM-10-23-310 EM-10-23-410	
12VDC 24VDC	EM-10-21-310 EM-10-21-410	
12VDC 24VDC	EM-10-32-310 EM-10-32-410	

VDC	Part Numbers	Front Mount Version
12VDC 24VDC	EM-10-13-310 EM-10-13-410	
12VDC 24VDC	EM-10-11-310 EM-10-11-410	
12VDC 24VDC	EM-10-12-310 EM-10-12-410	

- Microprocessor controlled gear motor
- Accepts signals from any electronic actuation source
- Frame side mounting simplifies wiring

### Material & Finish

Enclosure & latch bolt: Thermoplastic  
Housing assembly screws: Steel, zinc plated

### Electrical Specifications

Recommended operating voltage: 12 or 24 Volt DC  
No load operating current: 200 mA @ 12-24 V  
Peak stall / current: 1 A

### Control Input

Retracted Position: 12-24 Volt DC  
The latch bolt will remain retracted for as long as the signal is present or a minimum of 1 second.  
Input Signal Current: 25 mA  
Extended Position: 0 VDC

### Output Signal

Output Signal Rating: 450 mA Maximum load  
Output will turn on when latch bolt is in retracted position. Output slow flashes On/Off when latch error occurs.  
No signal at latch bolt extended position.  
The Electronic Keeper is provided with a specific latch bolt orientation (Left, Right or Center). Latch bolt direction can be re-oriented using the appropriate replacement gear from the \*optional rotation kit.

