

N6 Hinges

Heavy Duty Hinges

Product Code:

N6-DHIM-100102

Material: Steel

Pin Material: SS-304

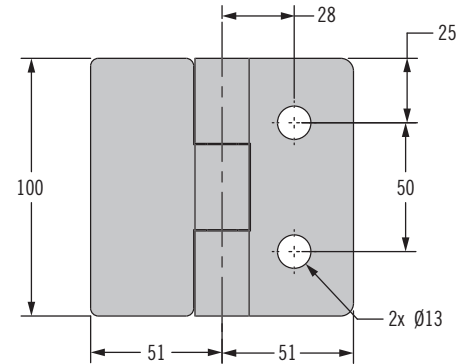
Finish: Blue Zinc

Opening Angle: 180°

Working Load (kg):

Axial: 107

Radial: 55



Product Code:

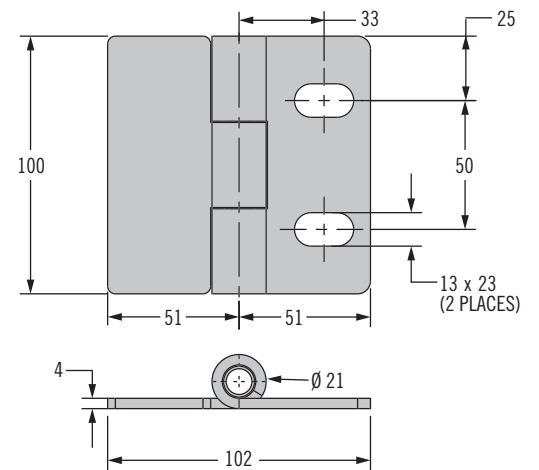
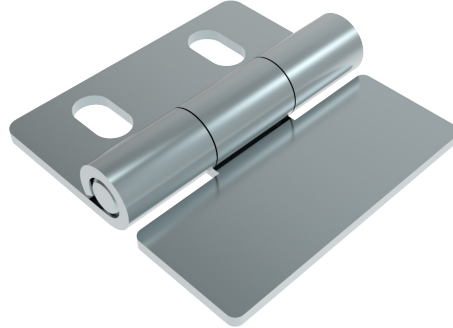
N6-DHIM-100102-SL

Material: Steel

Pin Material: SS-304

Finish: Blue Zinc

Opening Angle: 180°



Product Code:

N6-DHIM-255130

Material: Steel

Pin Material: SS-304

Finish: Blue Zinc

Opening Angle: 180°

