

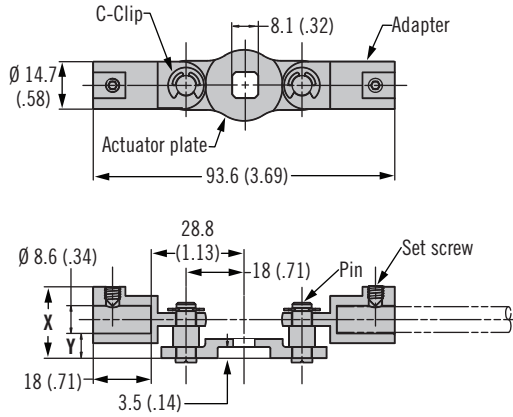
A5 Modular System

Actuator plates

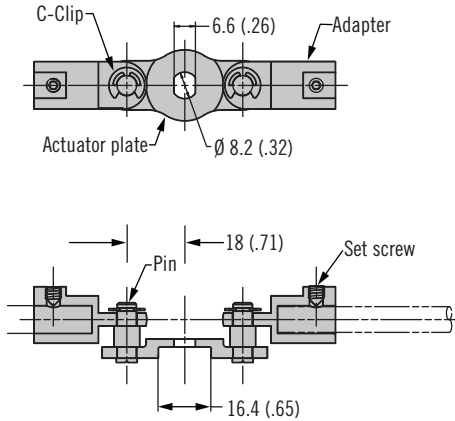


Actuator Plate

A5-90-101-11

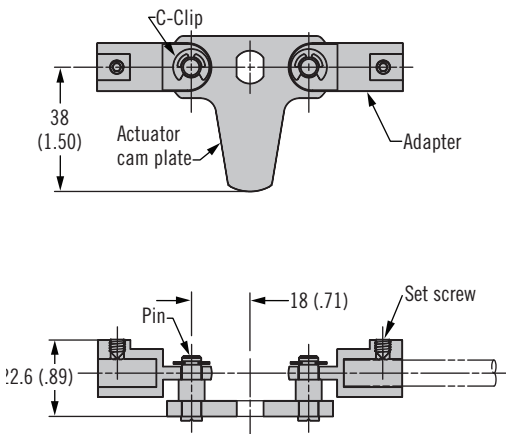


A5-90-301-11

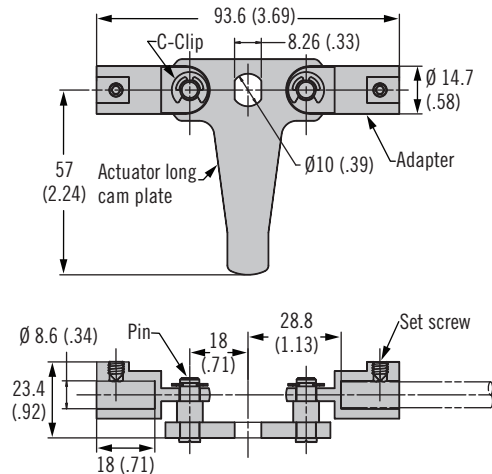


Part Number	X	Y
A5-90-101-11	22.2 (0.87)	4.7 (0.18)
A5-90-104-11	25.2 (0.99)	7.7 (0.30)
A5-90-401-11	22.6 (0.89)	5.1 (0.20)
A5-90-501-11	23.4 (0.92)	5.9 (0.23)

A5-90-401-11 (Short Cam)



A5-90-501-11 (Long Cam)



- Modular actuators to suit multiple latch families using A5 modular rods








Material and Finish

Zinc alloy, steel, zinc plated and stainless steel set screw

To Select Correct Actuator:

1. Choose actuator plate to match latch family (one per latch required)
2. Order rods and rod guides from page 230

Actuator Plate Part Number

Operating Latch Families	Page 152-168		Page 224-225		Page 133	Page 176-177	
 E5-5  E5-6  E5-9  H3-50  H3-60  62 Series M8 threaded shaft  92 Series M10 threaded shaft	A5-90-101-11		A5-90-301-11		A5-90-401-11	A5-90-501-11	

Part Number

Actuator plate see table

Rods (see page 230)

Rod guides (see page 230)



A5 Modular System

Rods and rod guides

• Modular rod and rod guides

Material and Finish

Rods: Aluminum or steel, zinc plated
 Rod rollers: Glass-filled nylon, black
 Rod guides: Glass-filled nylon, black with steel, zinc plated hardware

To Select Correct Assembly:

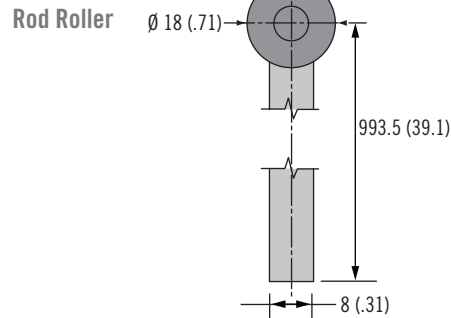
1. Choose actuator plate to match latch family or linear actuator and 2 adaptors. See drawing J-A5-F30 for rod type and latch family compatibility.
2. Order rod guides (2 per assembly). Fixed rod guide recommended for fixed point rod. Adjustable rod guide recommended for rod roller assembly.
3. Order rods (2 per assembly)

Part Number

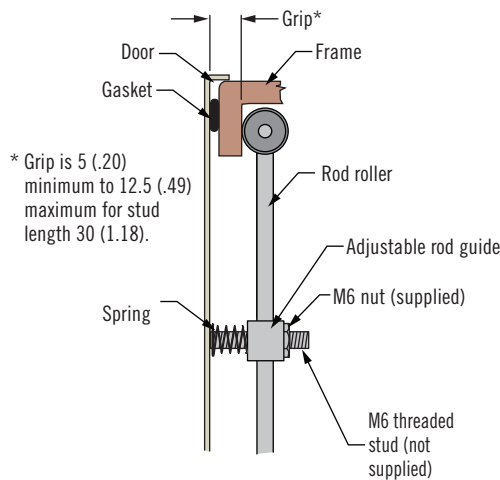
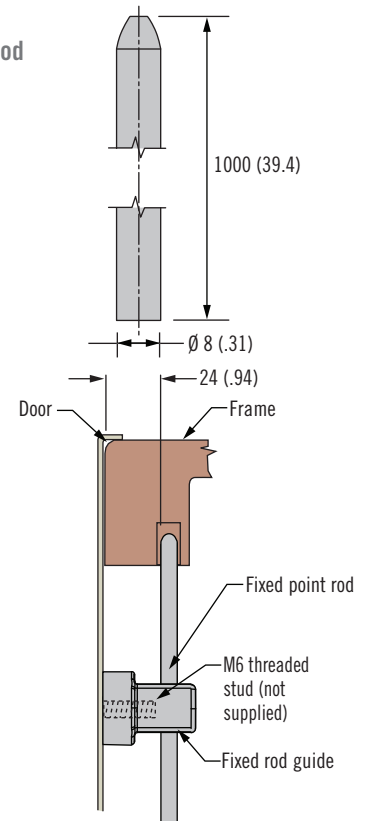
Order rod and rod guide separately see tables

Other rod lengths available. Please contact Southco

Rods



Fixed Point Rod

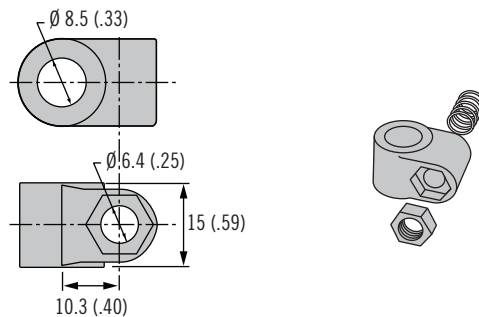


Material	Fixed Point Rod Part Number
Aluminum	A5-55-1000-10
Steel	A5-55-1000-11

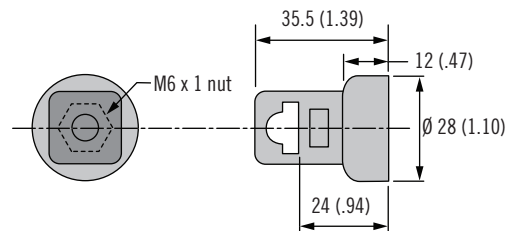
Material	Fixed Point Rod Part Number
Aluminum	A5-55-1000-10
Steel	A5-55-1000-11

Rod Guides

Adjustable



Fixed

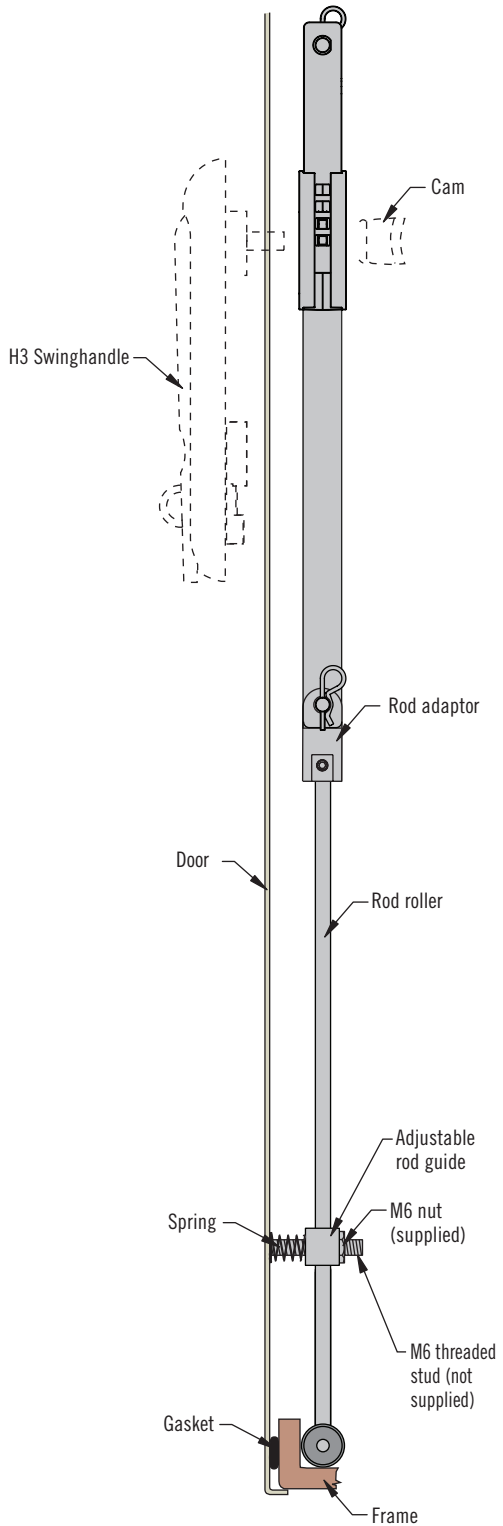


Adjustable Rod Guide Part Number (includes 2 rod guides, 2 springs and 2 M6 nuts)
A5-87-401

Fixed Rod Guide Part Number (one piece supplied)
A5-81-301-71

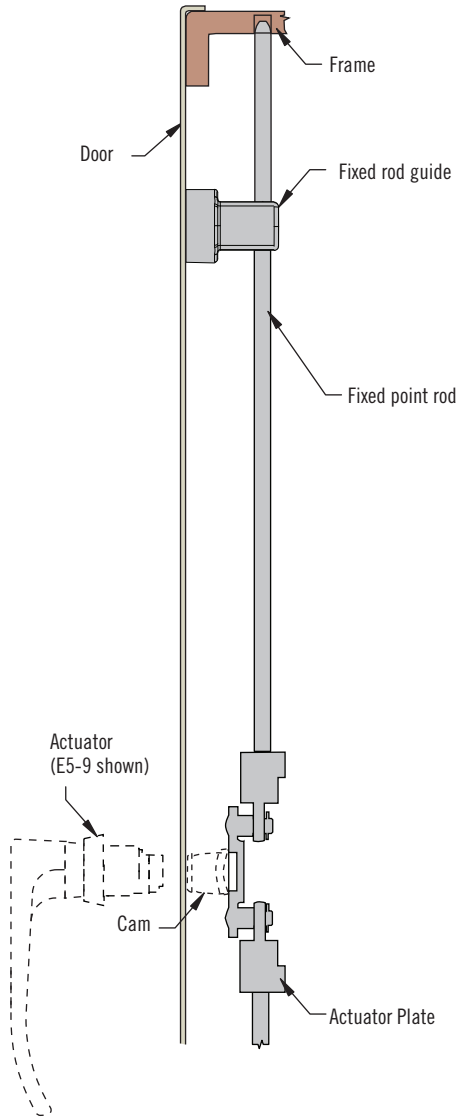
Linear Actuator Assembly

(adjustable with rod roller shown)



Actuator Plate Assembly

(fixed point shown)



Notes

Modular system allows for any configuration of rod and rod guides

