



# AC-EM-05 Electro-Mechanical Actuator

Compact size

- Compact, low power, push only electrical actuator
- Versatile solution for implementing electrical actuation
- Economical upgrade for Southco R4-05 Rotary Latch from mechanical to electrical actuation
- Available with or without connector

### Material & Finish

Enclosure, Output Cam:

Nylon, Acetal; Black

Housing Assembly Screws:

Steel, zinc plated

### Electrical Specifications

Supply Voltage: 5V +/- 10%

Operating Current:

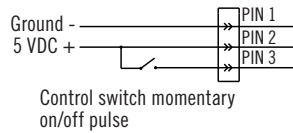
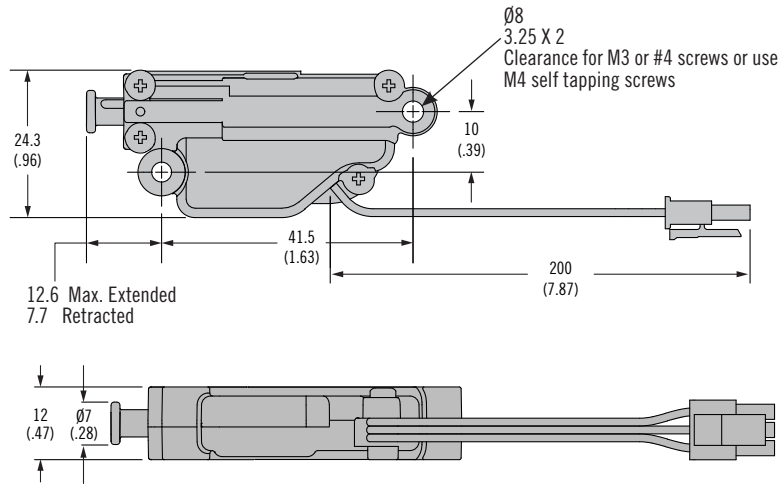
Less than 300mA at 5 VDC

Operating Temperature:

-20°C - 60°C

### Notes

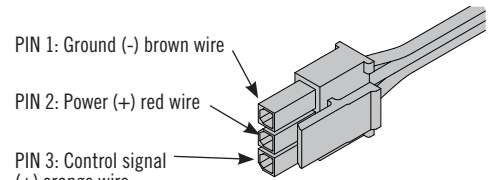
\*Mount using the 3.25 dia through holes or with thread forming screws (M4) for plastic.



PIN 1: Ground (-) brown wire

PIN 2: Power (+) red wire

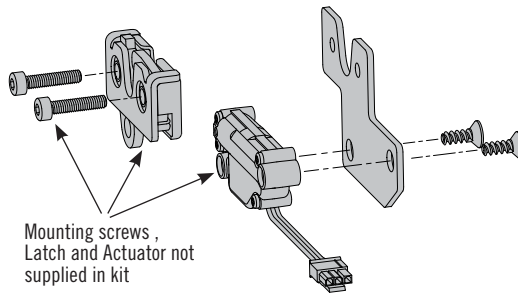
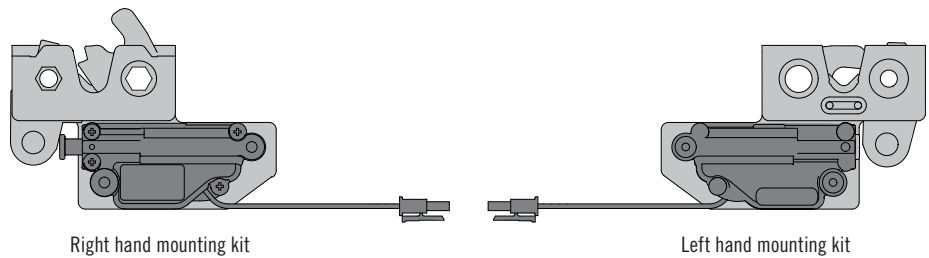
PIN 3: Control signal (+) orange wire



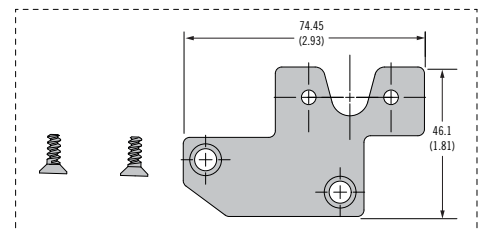
Part Number	Connector Type
AC-EM-050-5010	with Molex brand Microfit 3.0 connector
AC-EM-050-5020	without connector (stripped and tinned)

### Optional Mounting Kit

For R4-05-XX-505 Rotary Latches (latch and actuators sold separately)



Mounting screws, Latch and Actuator not supplied in kit



Kit consists of mounting plate and 2 self-tapping screws AC-EM-020-2 shown

Part Number	Type
AC-EM-020-1	Left hand mounting kit
AC-EM-020-2	Right hand mounting kit

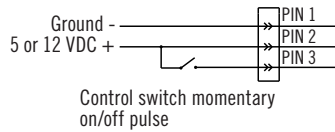
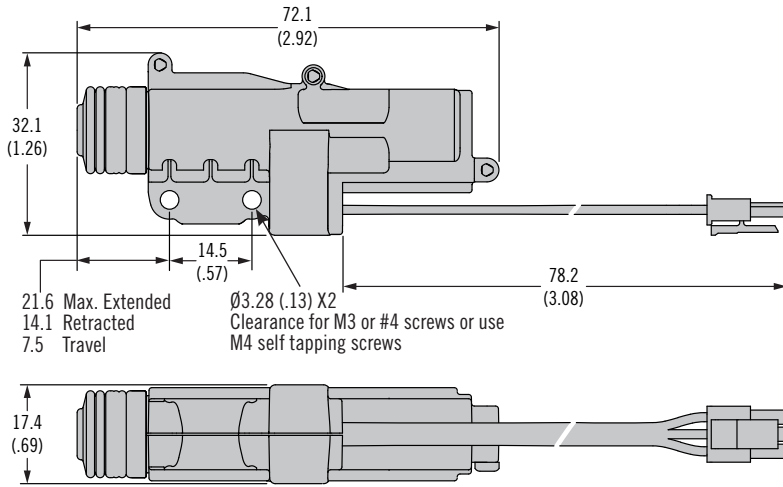


# AC-EM-10 Electro-Mechanical Actuator

## Compact Size



39B



PIN 1: Ground (-) brown wire

PIN 2: Power (+) red wire

PIN 3: Control signal (+) orange wire

- Efficient gear motor driven actuator
- Sealed to IP55
- Versatile solution for Electrically actuating latching mechanisms
- Economical upgrade for Southco R4-10 Rotary Latch from mechanical to electrical actuation
- Available with 3 Pin Connector or stripped and tinned



5V

12V

### Material & Finish

Enclosure, Output Cam: Nylon, Acetal  
Housing Assembly Screws: Stainless steel

### Electronic Specifications

Supply Voltage: 5 or 12VDC

Operating Current:

Less than 300 mA

Operating Temperature:

-20°C - 60°C

Operating Humidity: 85% max

No condensation

### Notes

Connector version uses Molex brand Microfit 3.0

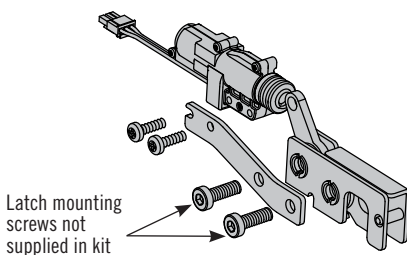
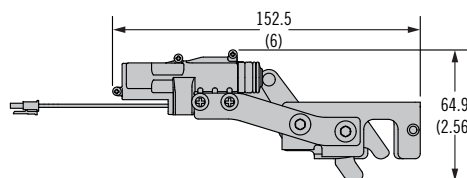
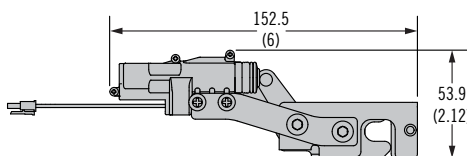
Visit [southco.com](http://southco.com) to download further installation and operation details

Part Number	Supply Voltage	Connector Type
AC-EM-100-5011	5V	with Molex brand Microfit 3.0 connector
AC-EM-100-5021	5V	without connector (stripped and tinned)
AC-EM-100-1011	12V	with Molex brand Microfit 3.0 connector
AC-EM-100-1021	12V	without connector (stripped and tinned)

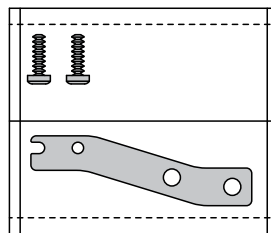
Note: For Bulk Packaging, add -1 suffix to part number

### Optional Mounting Kit

For R4-10 Rotary Latches (latch and actuators sold separately)



Latch mounting screws not supplied in kit



Kit consists of mounting plate and 2 self-tapping screws  
AC-EM-059-1