

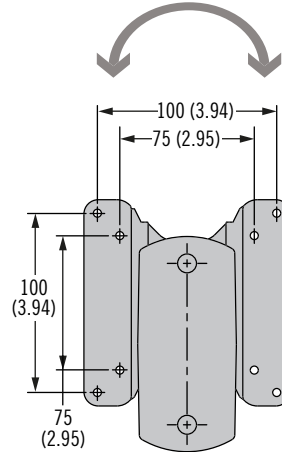
# AV Series Adjustable Monitor Mounting Arm

Tilt and swivel · Single arm · Double arm

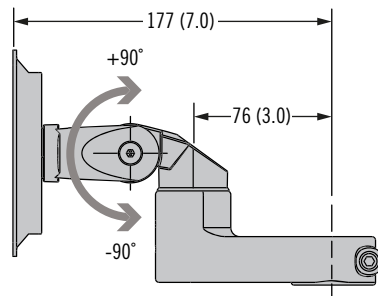
- **Adjustable joints for flexible operation**
- **Some assembly required for initial installation**  
Installation hardware and adjustment tools supplied
- **Rotate monitor for portrait or landscape orientation**
- **Clamps to desk or table**

Compatible with VESA mounting standards

Monitor Plate 360° from position shown

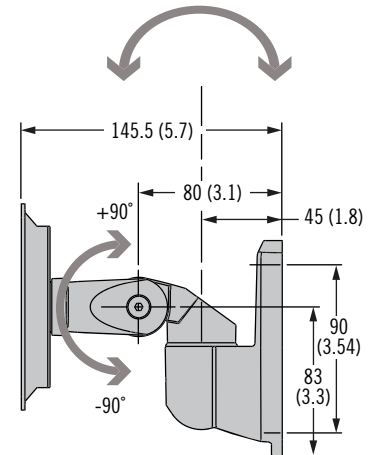


Tilt and swivel



Pole Mount **K** = 6  
(Fits 30mm Pole)

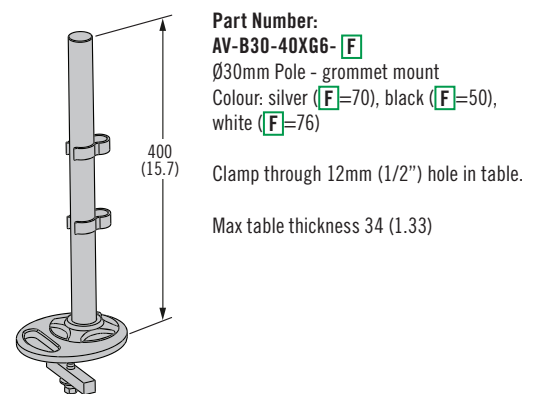
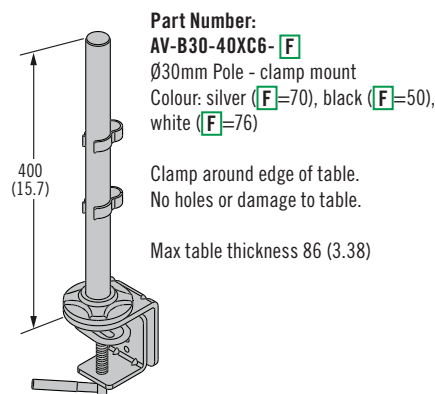
All rotating swivel joints rotate 360° and can be adjusted using supplied Allen key



Wall Mount **K** = 4

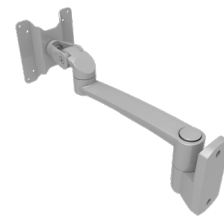
## Pole Mount Accessories (Fits all AV-B30 **K** = 6 variants)

Note: this pole accessory is not compatible with AV-D series mounts

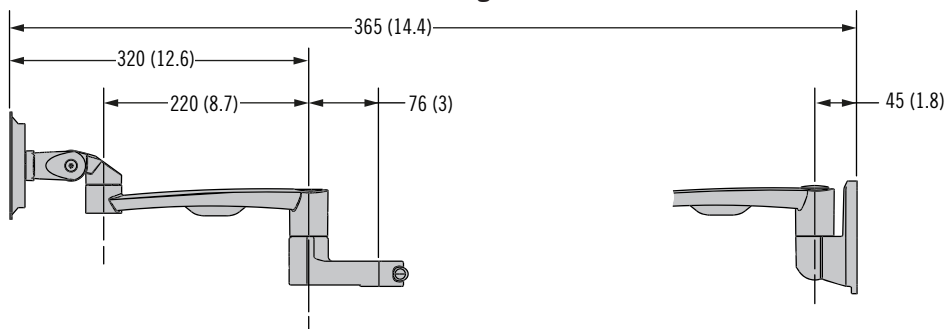


# AV Series Adjustable Monitor Mounting Arm

Tilt and swivel · Single arm · Double arm



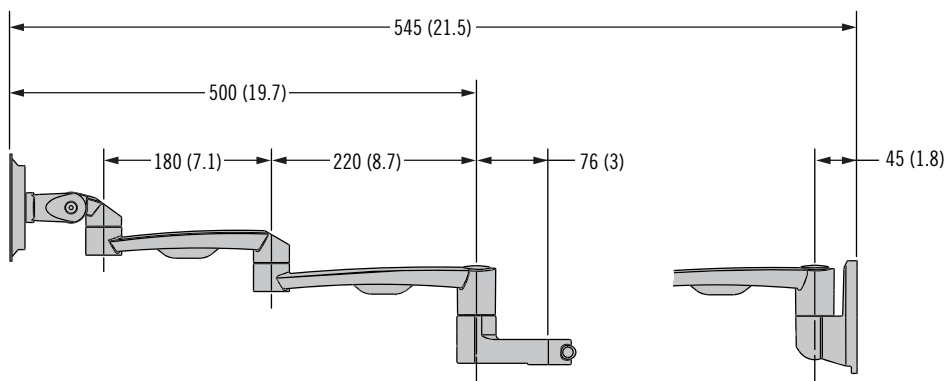
## Single arm



Pole Mount **K** = 6  
(Fits 30mm Pole)

Wall Mount **K** = 4

## Double arm



Pole Mount **K** = 6  
(Fits 30mm Pole)

Wall Mount **K** = 4

Complete part number by selecting model and color options below.

<b>L</b>	Length & Function
10K	Tilt / swivel
23A	220mm Single arm
41D	400mm Double arm

<b>K</b>	Mounting Style
4	Wall (front) mount
6	Pole mount (Ø30mm Pole)

AV - B30 - **L** 2 **K** 3 - **F**

<b>F</b>	Color
50	Black
70	Silver
76	White

- Wall or pole mount options
- Built-in cable management

### Material and Finish

Aluminum alloy, powder coated

### Max monitor weight

Tilt/swivel: 14 kg (31 lbf)

Single arm: 14 kg (31 lbf)

Double arm: 10 kg (22 lbf)

### Average ultimate load

Tilt/swivel: 920N (206lbf)

Single arm: 920N (206lbf)

Double arm: 450N (101lbf)

Pole (Clamp mount): 1100N (247lbf)

Pole (Grommet mount): 1400N (314lbf)

### Part Number

See table

### Part Number Example

AV-B30-41D263-70 = 400mm

Double Arm for Ø30mm Pole mount