



# AV Series Dynamic Mount

## Tilt

- Intuitive grab and move operation enhances the user experience**

No knobs or tools required to reposition the monitor  
 Robust positioning in compact package  
 Holds securely, even in applications with dynamic loading

- Consistent repeatable operation**

- Fully enclosed for optimum cleanability**

### Installation

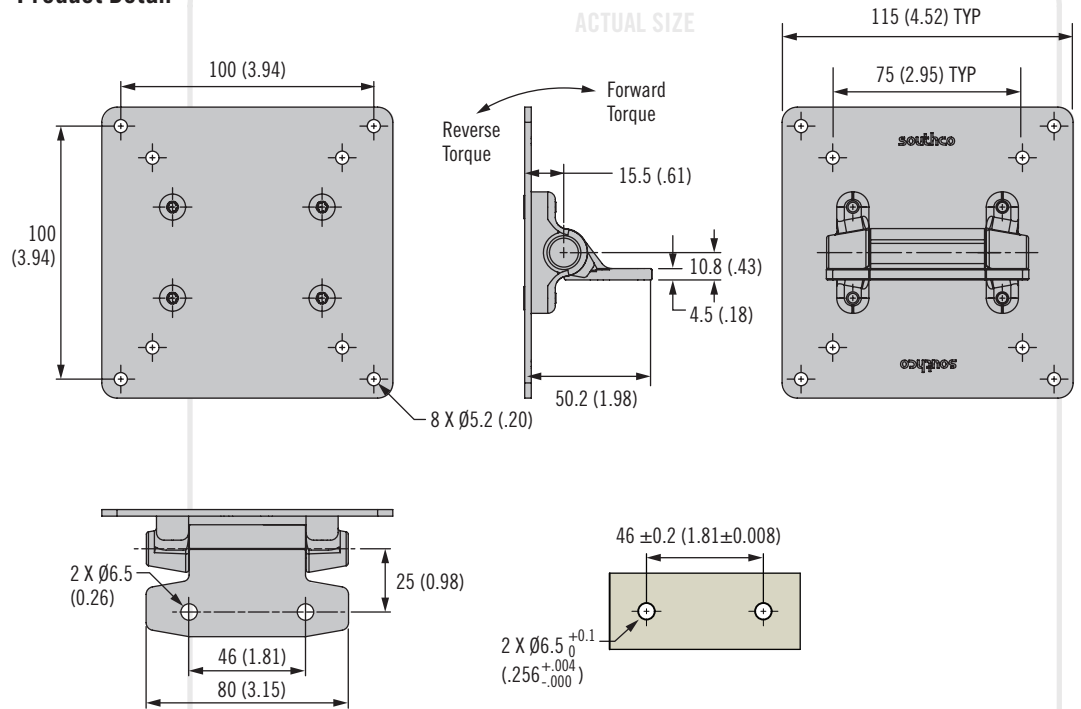
1. Determine desired mounting location
2. Attach using M6 screws as shown

**Caution:** Because of the wide variety of available materials, it is the installer's responsibility to ensure that the materials and structure to which the tilt mount is fastened will provide adequate support.

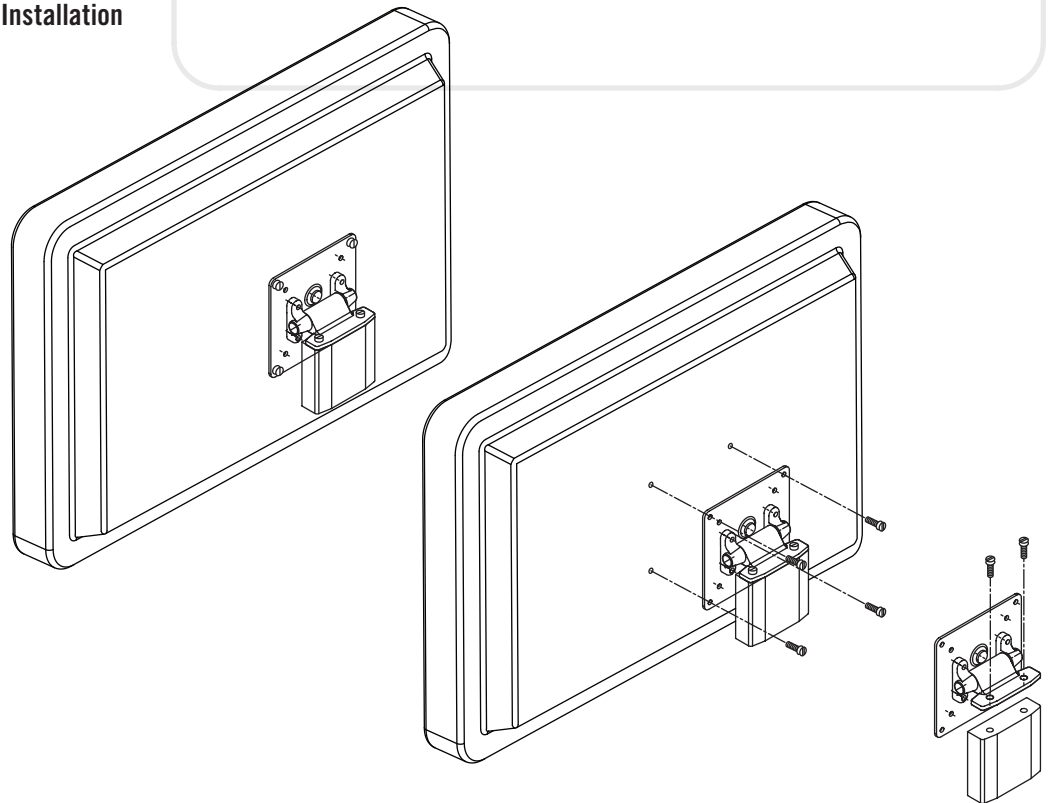
3. Attach monitor using manufacturer's recommended hardware

Compatible with VESA mounting standards

### Product Detail

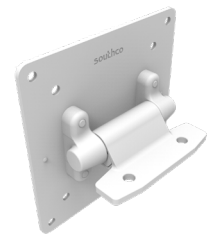


### Installation



# AV Series Dynamic Mount

Tilt



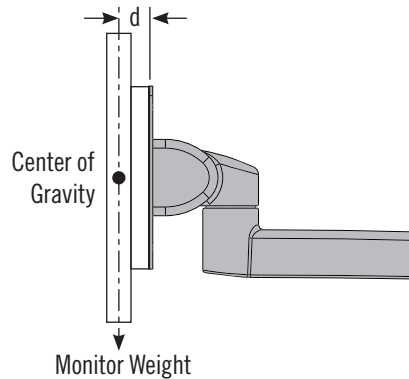
## Specification and Selection

### Step 1

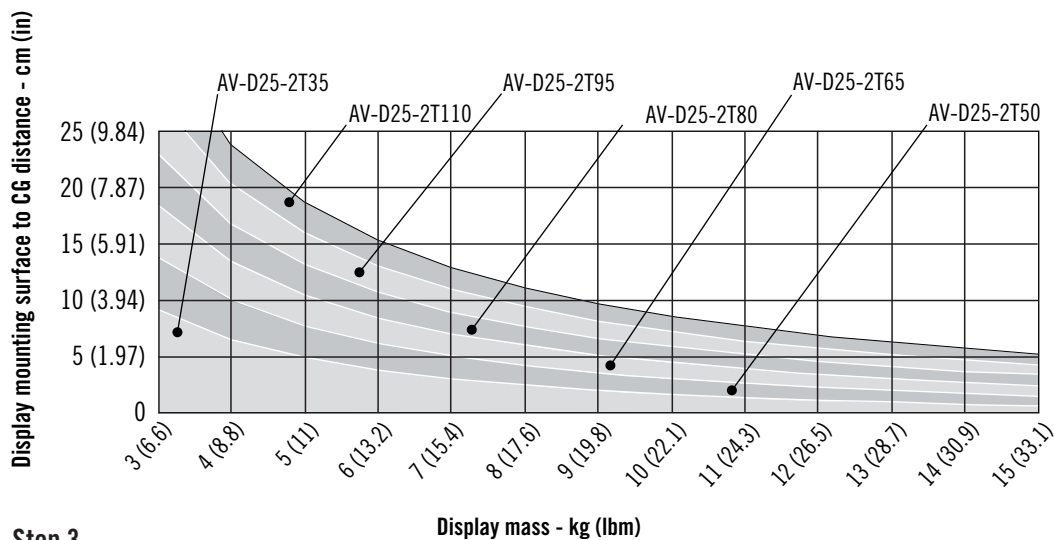
Determine monitor weight and distance (d) from mounting surface to center of gravity.

### Step 2

Use chart below to select part number.



### AV-D25 T-Series Model Selection Guide



### Step 3

Complete part number by selecting color options below.

Part Numbers		Forward Torque N·m (in-lb)	Reverse Torque N·m (in-lb)
Black	White		
AV-D25-2T035F-50	AV-D25-2T035F-76	3.9 (35.0)	3.0 (26.7)
AV-D25-2T050F-50	AV-D25-2T050F-76	5.7 (50.0)	4.0 (35.7)
AV-D25-2T065F-50	AV-D25-2T065F-76	7.3 (65.0)	5.4 (47.5)
AV-D25-2T080F-50	AV-D25-2T080F-76	9.0 (80.0)	6.7 (59.4)
AV-D25-2T095F-50	AV-D25-2T095F-76	10.7 (95.0)	7.8 (68.9)
AV-D25-2T0110F-50	AV-D25-2T0110F-76	12.4 (110.0)	9.0 (79.8)
AV-D25-2T035R-50	AV-D25-2T035R-76	3.0 (26.7)	3.9 (35.0)
AV-D25-2T050R-50	AV-D25-2T050R-76	4.0 (35.7)	5.7 (50.0)
AV-D25-2T065R-50	AV-D25-2T065R-76	5.4 (47.5)	7.3 (65.0)
AV-D25-2T080R-50	AV-D25-2T080R-76	6.7 (59.4)	9.0 (80.0)
AV-D25-2T095R-50	AV-D25-2T095R-76	7.8 (68.9)	10.7 (95.0)
AV-D25-2T0110R-50	AV-D25-2T0110R-76	9.0 (79.8)	12.4 (110.0)

- Smooth operation enhances the user experience
- Adjust the monitor without knobs or tools
- Holds securely

### Material and Finish

Steel, Aluminum alloy, powder coated

### Performance Details

Cycle performance: 20,000 cycles within  $\pm 20\%$  of static torque specification

Max. dynamic working load:

100 N (22.5 lb)

Average ultimate load: 1065 N (240 lb)

### Part Number

See table



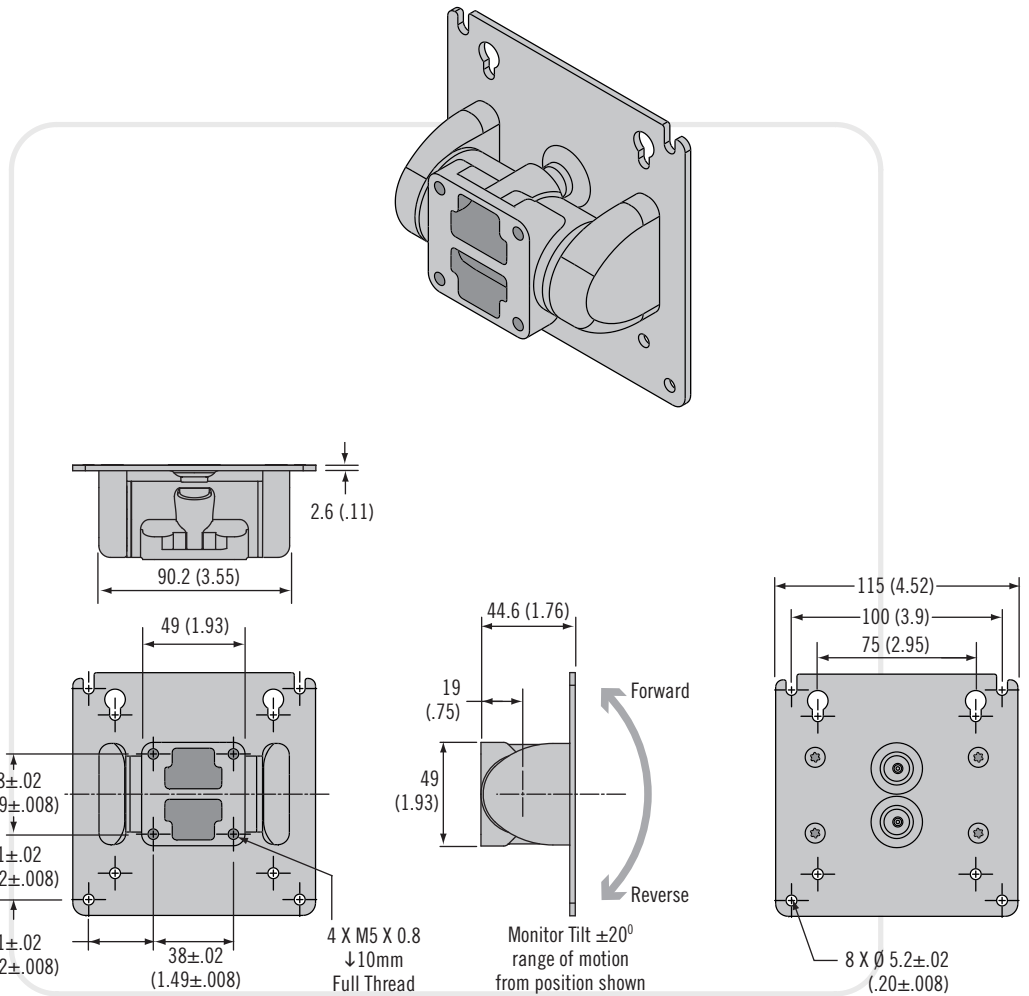
# AV Series Dynamic Mount

## Tilt

- **Intuitive grab and move operation enhances the user experience**  
No knobs or tools required to reposition the monitor  
Precise control of operating effort ensures ideal “feel”  
Holds securely, even in applications with dynamic loading
- **Consistent repeatable operation**
- **Fully enclosed for optimum cleanability**



### Product Detail



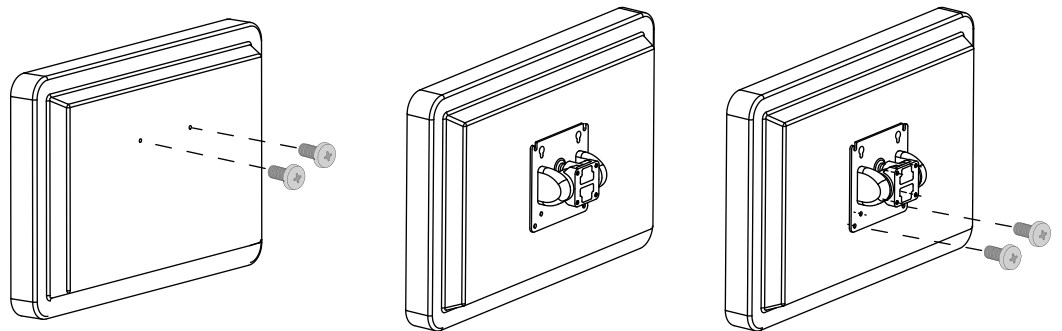
### Installation

1. Determine desired mounting location
2. Attach using M5 X 0.8 screws as shown

**Caution:** Because of the wide variety of available wall materials, it is the installer's responsibility to ensure that the materials and structure to which the tilt mount is fastened will provide adequate support.

3. Attach monitor using manufacturer's recommended hardware

### Installation

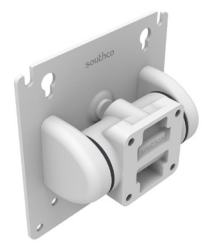


Monitor mounting hardware not supplied

Compatible with VESA mounting standards

# AV Series Dynamic Mount

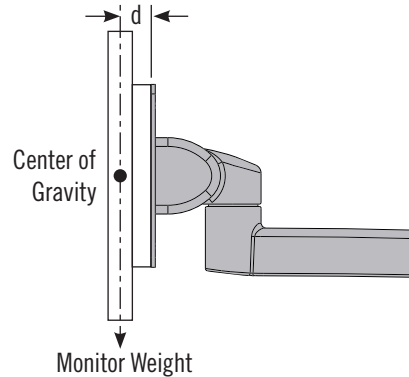
Tilt



## Specification and Selection

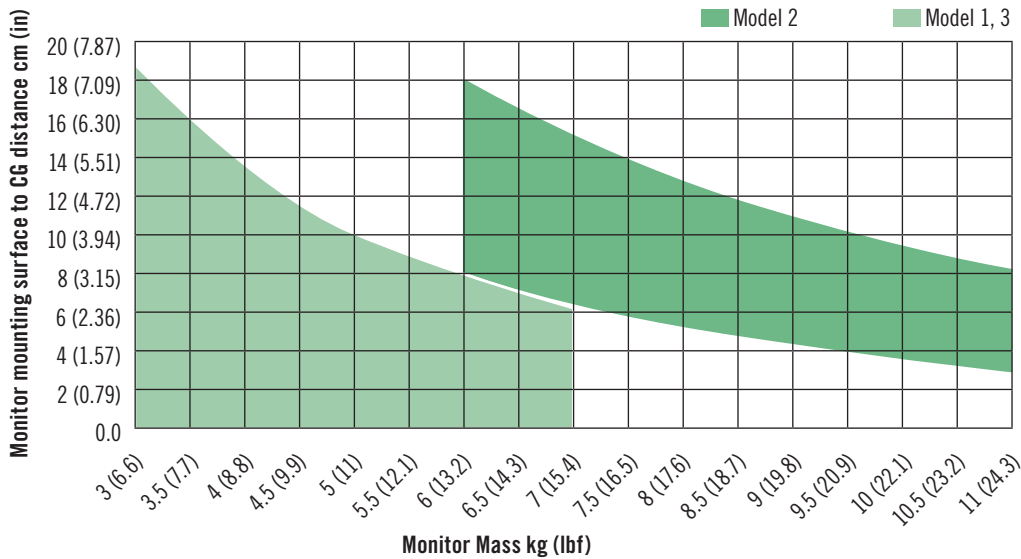
### Step 1

Determine monitor weight and distance (d) from mounting surface to center of gravity.



### Step 2

Use chart below to select model (1, 2 or 3).



### Step 3

Complete part number by selecting model and color options below.

Model <b>S</b>	Monitor size	Tilt Torque N·m (in-lbf)	
		Reverse	Forward
1	Small monitor, easiest positioning	7.9 (70)	2.2 (19.5)
3	Small monitor, extra holding force	8.6 (76)	6 (53)
2	Medium monitor	15.4 (136)	2.26 (20)

<b>F</b>	Color
50	Black
76	White

AV - D30 - 5T10 **S** - **F**

For complete installation and operation instructions please consult the product manual included in every package or available to download from [www.southco.com](http://www.southco.com)

- Smooth operation enhances the user experience
- Adjust the monitor without knobs or tools
- Holds securely

### Material and Finish

Aluminum alloy, powder coated

### Performance Details

Cycle performance: 20,000 cycles within  $\pm 20\%$  of static torque specification

Maximum dynamic working load:

Model 1 and 3: 70 N (15.7 lbf)

Model 2: 100 N (22.5 lbf)

Average ultimate load: 1845 N (414.8 lbf)

### Part Number

See table

### Part Number Example

AV-D30-5T101-50 = Dynamic tilt mount, Model 1, black