



D8 DZUS® PANEX Quarter-Turn Fasteners

Studs · Size 4

Material and Finish

Studs: Steel, zinc plated plus chromate or chrome plated
 Bail cover: ABS, black

82

85

D8

D9

D1

D4

D5

D7

NY



Installation Notes

Bail cover:

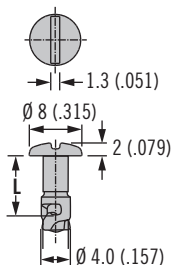
A Retainer must be fitted under the stud head to fit flush with surface

Retainer part number

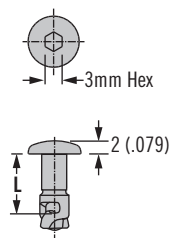
D8-324-100-040 (see page 455)

H Head Styles - Tool Actuated

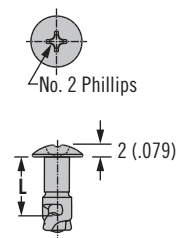
Oval Slot



Hex Recess

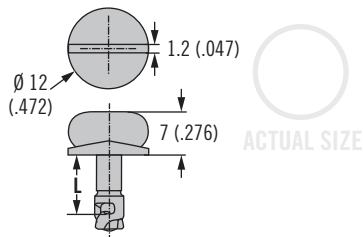


Phillips Recess

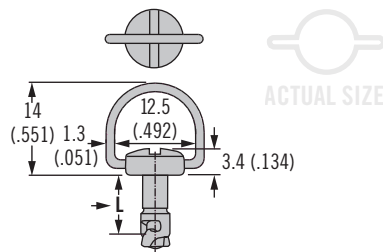


H Head Styles - Hand Actuated

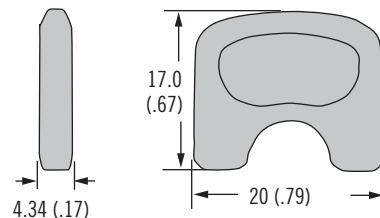
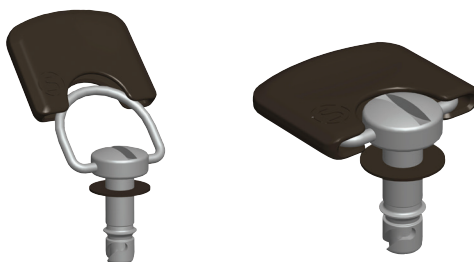
Wing



Bail

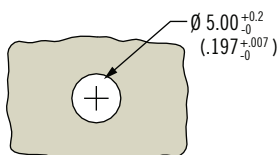


Optional Bail Cover



Bail Cover Part Number
D8-4-B-000

Stud Panel Preparation



D8 DZUS® PANEX Quarter-Turn Fasteners

Stud selection · Size 4



Part Number Selection

H Head style

- 1 Slot recess
- 2 Hex recess
- 3 Wing
- 4 Bail
- 7 Phillips recess

K Length

Enter number from selection table below

D8 - 314 - H K - F

F Finish

- 170 Chrome plated
- 190 Zinc plated
- 191 Zinc plated, black

Stud Length Table

A		B		C		D		E		K	L ±.15 ±(.006)
Min.	Max.	Min.	Max.	Min.	Max.	Min.	Max.	Min.	Max.		
TMT Range For: D8-334-400-121 D8-334-500-121		TMT Range For: D8-334-300-121 D8-334-310-121 D8-334-700-121		TMT Range For: D8-334-200-190		TMT Range For: D8-334-100-300		TMT Range For: D8-334-110-190			
1.0 (.04)	1.9 (.07)	1.5 (.06)	2.4 (.09)	~	~	~	~	~	~	08	8 (.315)
2.0 (.08)	2.9 (.11)	2.5 (.10)	3.4 (.13)	~	~	~	~	~	~	09	9 (.354)
3.0 (.12)	3.9 (.15)	3.5 (.14)	4.4 (.17)	~	~	0.7 (.03)	1.6 (.06)	1.7 (.07)	2.6 (.10)	10	10 (.394)
4.0 (.16)	4.9 (.19)	4.5 (.18)	5.4 (.21)	~	~	1.7 (.07)	2.6 (.10)	2.7 (.11)	3.6 (.14)	11	11 (.433)
5.0 (.20)	5.9 (.23)	5.5 (.22)	6.4 (.25)	1.5 (.06)	2.4 (.09)	2.7 (.11)	3.6 (.14)	3.7 (.15)	4.6 (.18)	12	12 (.472)
6.0 (.24)	6.9 (.27)	6.5 (.26)	7.4 (.29)	2.5 (.10)	3.4 (.13)	3.7 (.15)	4.6 (.18)	4.7 (.19)	5.6 (.22)	13	13 (.512)
7.0 (.28)	7.9 (.31)	7.5 (.30)	8.4 (.33)	3.5 (.14)	4.4 (.17)	4.7 (.19)	5.6 (.22)	5.7 (.22)	6.6 (.26)	14	14 (.551)
8.0 (.31)	8.9 (.35)	8.5 (.33)	9.4 (.37)	4.5 (.18)	5.4 (.21)	5.7 (.22)	6.6 (.26)	6.7 (.26)	7.6 (.30)	15	15 (.591)
9.0 (.35)	9.9 (.39)	9.5 (.37)	10.4 (.41)	5.5 (.22)	6.4 (.25)	6.7 (.26)	7.6 (.30)	7.7 (.30)	8.6 (.34)	16	16 (.630)
10.0 (.39)	10.9 (.43)	10.5 (.41)	11.4 (.45)	6.5 (.26)	7.4 (.29)	7.7 (.30)	8.6 (.34)	8.7 (.34)	9.6 (.38)	17	17 (.669)
11.0 (.43)	11.9 (.47)	11.5 (.45)	12.4 (.49)	7.5 (.30)	8.4 (.33)	8.7 (.34)	9.6 (.38)	9.7 (.38)	10.6 (.42)	18	18 (.709)
12.0 (.47)	12.9 (.51)	12.5 (.49)	13.4 (.53)	8.5 (.33)	9.4 (.37)	9.7 (.38)	10.6 (.42)	10.7 (.42)	11.6 (.46)	19	19 (.748)
13.0 (.51)	13.9 (.55)	13.5 (.53)	14.4 (.57)	9.5 (.37)	10.4 (.41)	10.7 (.42)	11.6 (.46)	11.7 (.46)	12.6 (.50)	20	20 (.787)
14.0 (.55)	14.9 (.59)	14.5 (.57)	15.4 (.61)	10.5 (.41)	11.4 (.45)	11.7 (.46)	12.6 (.50)	12.7 (.50)	13.6 (.54)	21	21 (.827)
15.0 (.59)	15.9 (.63)	15.5 (.61)	16.4 (.65)	11.5 (.45)	12.4 (.49)	12.7 (.50)	13.6 (.54)	13.7 (.54)	14.6 (.57)	22	22 (.866)
16.0 (.63)	16.9 (.67)	16.5 (.65)	17.4 (.69)	12.5 (.49)	13.4 (.53)	13.7 (.54)	14.6 (.57)	14.7 (.58)	15.6 (.61)	23	23 (.906)
17.0 (.67)	17.9 (.70)	17.5 (.69)	18.4 (.72)	13.5 (.53)	14.4 (.57)	14.7 (.58)	15.6 (.61)	15.7 (.62)	16.6 (.65)	24	24 (.945)
18.0 (.71)	18.9 (.74)	18.5 (.73)	19.4 (.76)	14.5 (.57)	15.4 (.61)	15.7 (.62)	16.6 (.65)	16.7 (.66)	17.6 (.69)	25	25 (.984)
19.0 (.75)	19.9 (.78)	19.5 (.77)	20.4 (.80)	15.5 (.61)	16.4 (.65)	16.7 (.66)	17.6 (.69)	17.7 (.70)	18.6 (.73)	26	26 (1.02)
20.0 (.79)	20.9 (.82)	20.5 (.81)	21.4 (.84)	16.5 (.65)	17.4 (.69)	17.7 (.70)	18.6 (.73)	18.7 (.74)	19.6 (.77)	27	27 (1.06)
21.0 (.83)	21.9 (.86)	21.5 (.85)	22.4 (.88)	17.5 (.69)	18.4 (.72)	18.7 (.74)	19.6 (.77)	19.7 (.78)	20.6 (.81)	28	28 (1.10)
22.0 (.87)	22.9 (.90)	22.5 (.89)	23.4 (.92)	18.5 (.73)	19.4 (.76)	19.7 (.78)	20.6 (.81)	20.7 (.81)	21.6 (.85)	29	29 (1.14)
23.0 (.91)	23.9 (.94)	23.5 (.93)	24.4 (.96)	19.5 (.77)	20.4 (.80)	20.7 (.81)	21.6 (.85)	21.7 (.85)	22.6 (.89)	30	30 (1.18)

To select correct fastener:

1. Select receptacle

Choose a receptacle from pages 452-454

2. Select retainer and accessories

from page 455 and note any adjustment values

3. Specify stud length

Calculate the total material thickness (TMT) using the formula given for the receptacle selected. Find the range of TMT using the length selection table (left) using the column (A, B, C, D or E) given for the receptacle selected.

4. Complete the stud part number

by specifying the head style **H**, stud length **K**, and material **M**

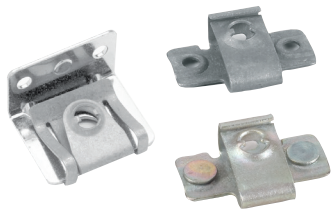
Example:

For rivet-on

D8-334-400-121 use column A
For TMT value calculated as 5.2 (.206), K = 12

For slotted head style in steel, zinc plated material, completed part number: D8-314-112-190

A complete example can be found on page 435.



D8 DZUS® PANEX Quarter-Turn Fasteners

Receptacles · Size 4

82

Material and Finish

Steel, zinc immersion coating

85

Installation Notes

Install with $\varnothing 3$ (.125) rivets

D8

Part Number

See table

D1

Notes

Utilize stud selection column indicated when choosing a stud length from the stud length table on page 451

D4

D5

D7

NY

Material and Finish

Steel, zinc immersion coating

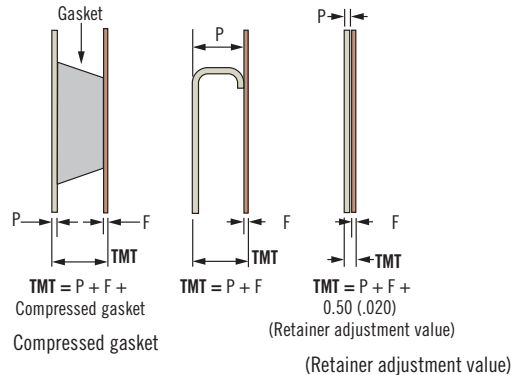
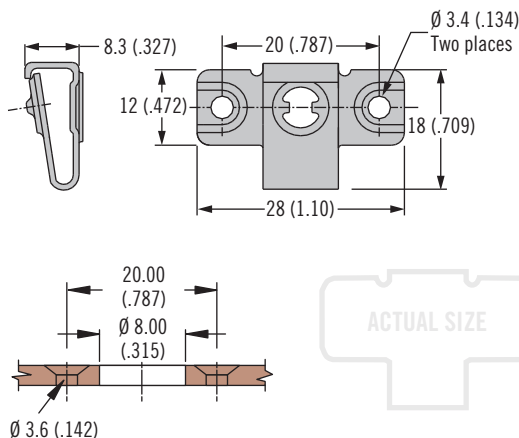
Part Number

See table

Notes

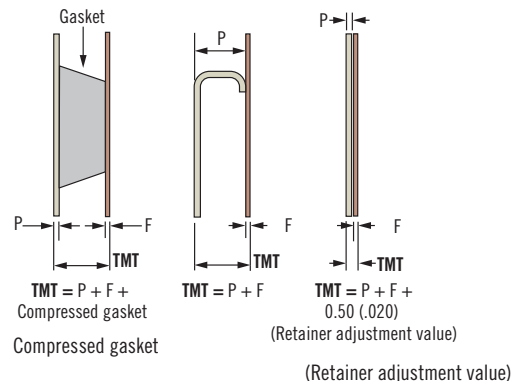
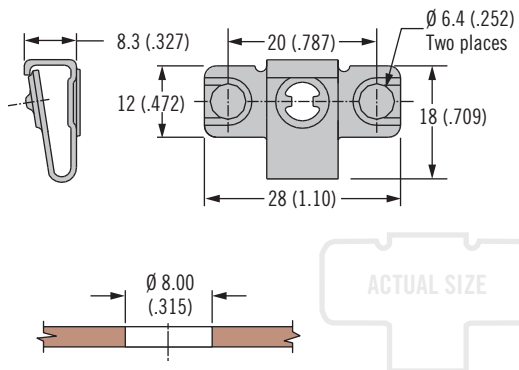
Utilize stud selection column indicated when choosing a stud length from the stud length table on page 451

Rivet-On



Part Number	Stud Selection Column
D8-334-400-121	A

Weld-On



Part Number	Stud Selection Column
D8-334-500-121	A

Material and Finish

Steel, zinc immersion coating

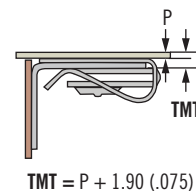
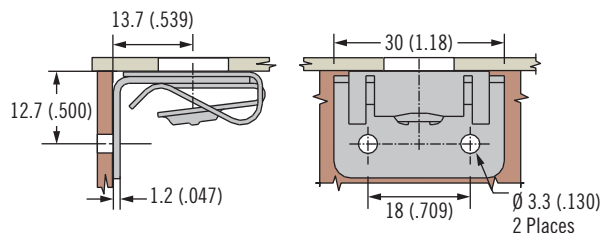
Part Number

See table

Notes

Utilize stud selection column indicated when choosing a stud length from the stud length table on page 451

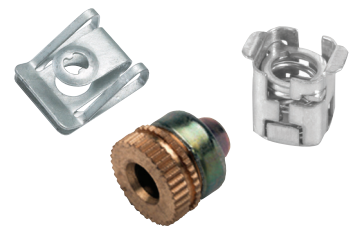
Side Mount



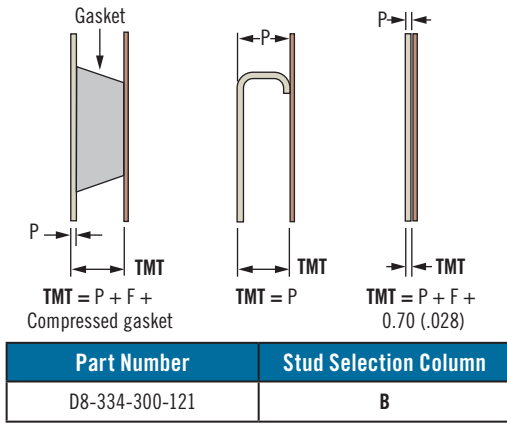
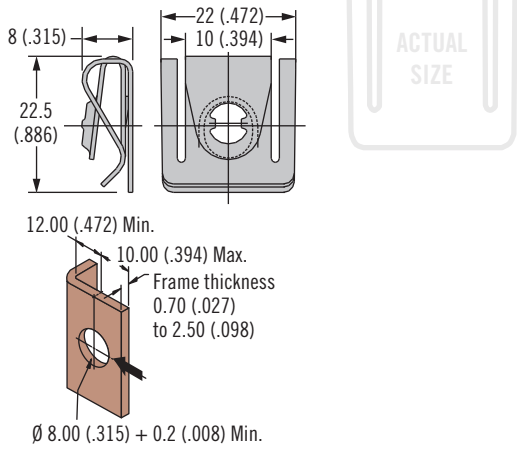
Part Number	Stud Selection Column
D8-334-310-121	B

D8 DZUS® PANEX Quarter-Turn Fasteners

Receptacles · Size 4



Clip-On



Material and Finish

Steel, zinc immersion coating

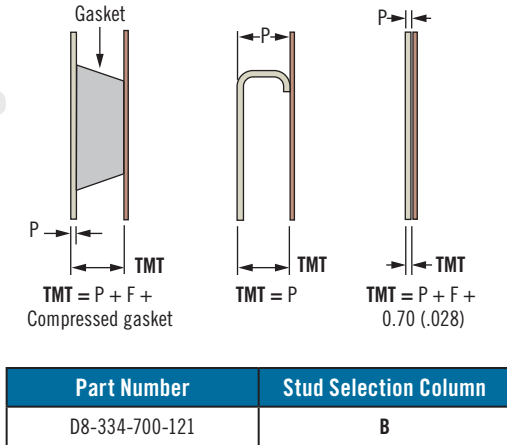
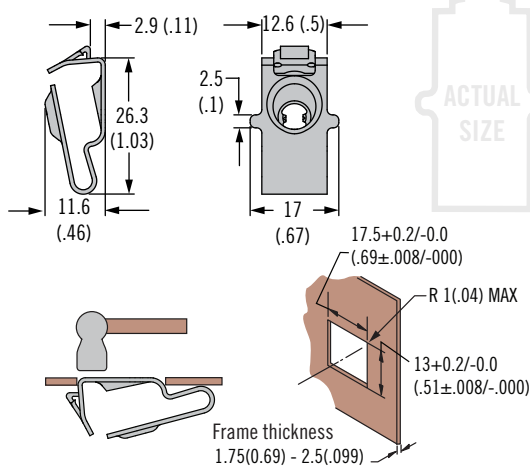
Part Number

See table

Notes

Utilize stud selection column indicated when choosing a stud length from the stud length table on page 451

Front Mount Clip-In



Material and Finish

Steel, zinc immersion coating

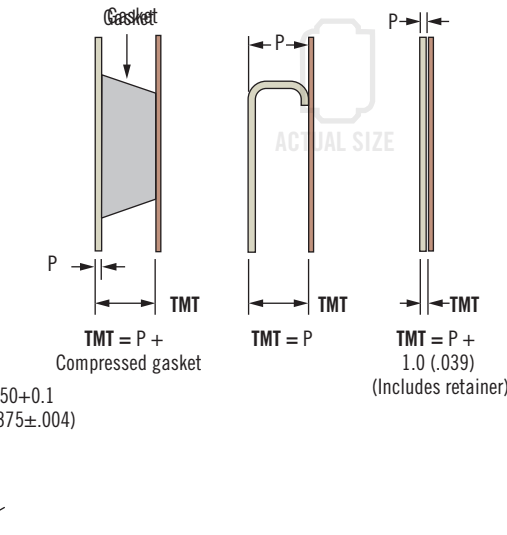
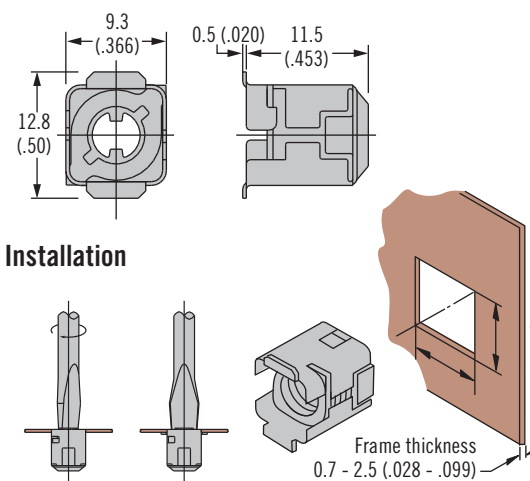
Part Number

See table

Notes

Utilize stud selection column indicated when choosing a stud length from the stud length table on page 451

Front Mount Snap-In



Material and Finish

Steel, zinc plated

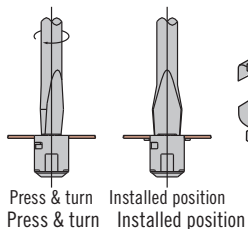
Part Number

See table

Notes

Utilize stud selection column indicated when choosing a stud length from the stud length table on page 451

Installation





D8 DZUS® PANEX Quarter-Turn Fasteners

Receptacles · Size 4

Material and Finish

Brass and steel, zinc plated

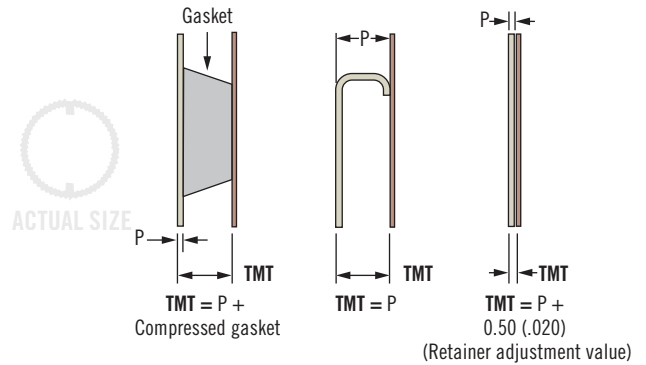
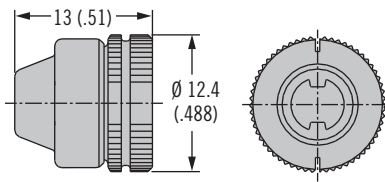
Installation Notes

Press receptacle flush to frame

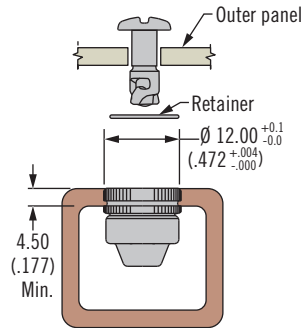
Notes

Receptacle shown installed flush to the frame. To eliminate the gap between the frame and outer panel, install to a depth \geq the thickness of the selected retainer. This depth should be added to the TMT.

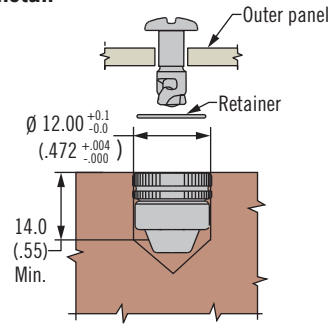
Press-In - Front Mount



Solid Install



Blind Install



Part Number	Stud Selection Column
D8-334-100-300	D

Part Number

See table

Notes

Utilize stud selection column indicated when choosing a stud length from the stud length table on page 451

Material and Finish

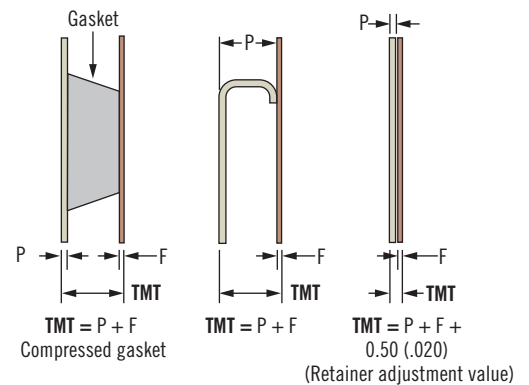
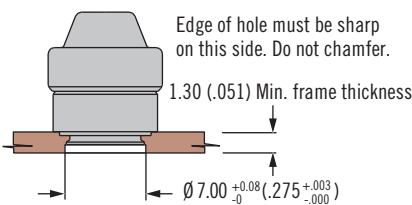
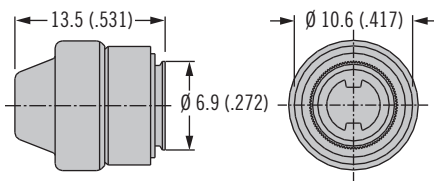
Steel, zinc plated

Notes

For use in low carbon steels, aluminum and stainless steels in the annealed condition that are RB85 or softer

See page 627 for installation guidelines

Press-In - Self-Clinching



Part Number	Stud Selection Column
D8-334-110-190	E

Part Number

See table

Notes

Utilize stud selection column indicated when choosing a stud length from the stud length table on page 451

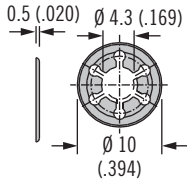
D8 DZUS® PANEX Quarter-Turn Fasteners

Retainers · Accessories · Size 4

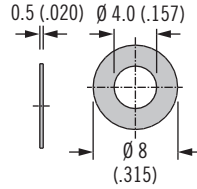


455

Retainer Push-On



Retainer Push-On Plastic



Type	Part Number	Material	Adjustment Value
Push-on plastic	D8-324-100-040	High density polyethylene, black	Included in TMT calculation
Push-on	D8-324-101-200	Stainless steel	

Material and Finish

See table

Part Number

See table

82

85

D8

D9

D1

D4

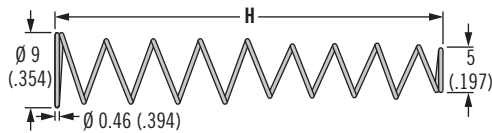
D5

D7

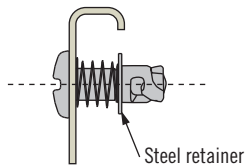
NY



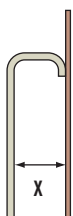
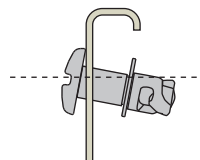
Retainer Spring (Must be secured with steel retainer)



With Retaining Spring



Without Retaining Spring



Part Number	H	X Min.	X Max.
D8-324-200-200	48 (1.89)	14 (.551)	44 (1.73)
D8-324-201-200	20 (.787)	5 (.197)	16 (.630)



D8 DZUS® PANEX Quarter-Turn Fasteners

Studs · Size 6

Material and Finish

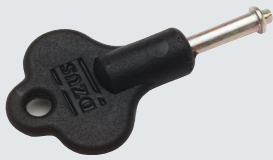
Studs: Steel, zinc plated and chromate or chrome plated or stainless steel

Key: Steel with zinc plate and chromate

Bail cover: ABS, black

Accessories

Tamper resistant stud key:
Part number: D8-316-007-969



82

85

D8

D9

D1

D4

D5

D7

NY



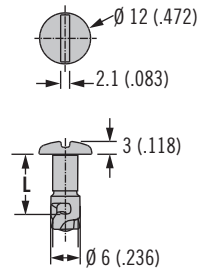
Installation Notes

Bail cover: A Retainer must be fitted under the stud head to fit flush with surface

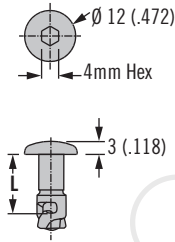
Retainer part number D8-326-100-040 (see page 461)

H Head Styles - Tool Actuated

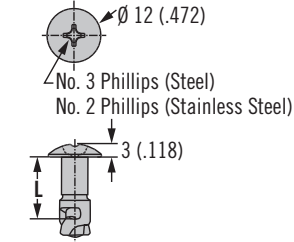
Oval Slot



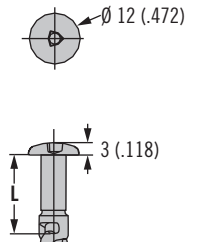
Hex Recess



Phillips Recess



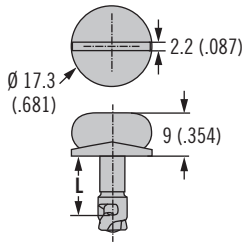
Tamper Resistant



ACTUAL SIZE

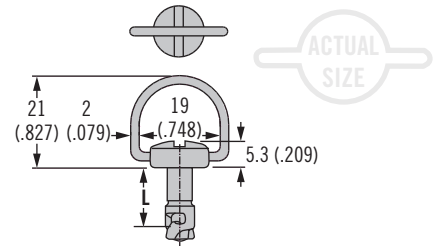
H Head Styles - Hand Actuated

Wing



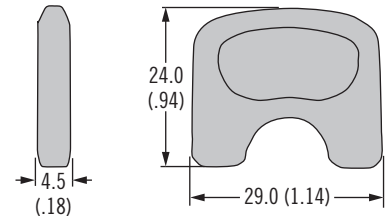
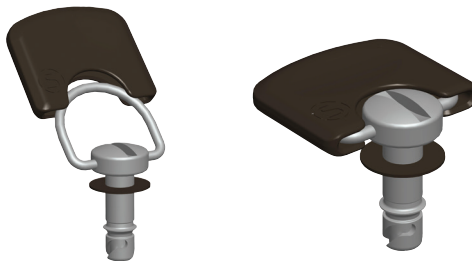
ACTUAL SIZE

Bail



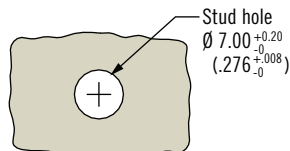
ACTUAL SIZE

Optional Bail Cover



Bail Cover Part Number
D8-6-B-000

Stud Panel Preparation



D8 DZUS® PANEX Quarter-Turn Fasteners

Stud selection · Size 6



Part Number Selection

H Head style

- 1 Slot recess
- 2 Hex recess
- 3 Wing
- 4 Bail (standard stud only)
- 6 Tamper resistant
- 7 Phillips recess

F Finish

- 170 Chrome plated
- 190 Zinc plated
- 191 Zinc plated, black
- 200 Stainless Steel (Slot recess, Hex recess, Phillips recess)

D8 - 316 - **H** **K** - **F**

K Length

Enter number from selection table below

Stud Length Table											
A		B		C		D		E		K	L ±.15 ±(.006)
Min.	Max.	Min.	Max.	Min.	Max.	Min.	Max.	Min.	Max.		
TMT Range For: D8-336-400-121 D8-336-500-121		TMT Range For: D8-336-300-121 D8-336-310-121 D8-336-330-121 D8-336-700-121		TMT Range For: D8-336-200-190		TMT Range For: D8-336-100-300		TMT Range For: D8-336-110-190			
~	~	1.5 (.06)	2.4 (.09)	~	~	~	~	~	~	09	9 (.354)
2.5 (.10)	3.4 (.13)	2.5 (.10)	3.4 (.13)	~	~	~	~	~	~	10	10 (.394)
3.5 (.14)	4.4 (.17)	3.5 (.14)	4.4 (.17)	~	~	~	~	~	~	11	11 (.433)
4.5 (.18)	5.4 (.21)	4.5 (.18)	5.4 (.21)	~	~	0.7 (.03)	1.6 (.06)	1.7 (.07)	2.6 (.10)	12	12 (.472)
5.5 (.22)	6.4 (.25)	5.5 (.22)	6.4 (.25)	~	~	1.7 (.07)	2.6 (.10)	2.7 (.11)	3.6 (.14)	13	13 (.512)
6.5 (.26)	7.4 (.29)	6.5 (.26)	7.4 (.29)	~	~	2.7 (.11)	3.6 (.14)	3.7 (.15)	4.6 (.18)	14	14 (.551)
7.5 (.30)	8.4 (.33)	7.5 (.30)	8.4 (.33)	~	~	3.7 (.15)	4.6 (.18)	4.7 (.19)	5.6 (.22)	15	15 (.591)
8.5 (.33)	9.4 (.37)	8.5 (.33)	9.4 (.37)	0.8 (.03)	1.7 (.07)	4.7 (.19)	5.6 (.22)	5.7 (.22)	6.6 (.26)	16	16 (.630)
9.5 (.37)	10.4 (.41)	9.5 (.37)	10.4 (.41)	1.8 (.07)	2.7 (.11)	5.7 (.22)	6.6 (.26)	6.7 (.26)	7.6 (.30)	17	17 (.669)
10.5 (.41)	11.4 (.45)	10.5 (.41)	11.4 (.45)	2.8 (.11)	3.7 (.15)	6.7 (.26)	7.6 (.30)	7.7 (.30)	8.6 (.34)	18	18 (.709)
11.5 (.45)	12.4 (.49)	11.5 (.45)	12.4 (.49)	3.8 (.15)	4.7 (.19)	7.7 (.30)	8.6 (.34)	8.7 (.34)	9.6 (.38)	19	19 (.748)
12.5 (.49)	13.4 (.53)	12.5 (.49)	13.4 (.53)	4.8 (.19)	5.7 (.22)	8.7 (.34)	9.6 (.38)	9.7 (.38)	10.6 (.42)	20	20 (.787)
13.5 (.53)	14.4 (.57)	13.5 (.53)	14.4 (.57)	5.8 (.23)	6.7 (.26)	9.7 (.38)	10.6 (.42)	10.7 (.42)	11.6 (.46)	21	21 (.827)
14.5 (.57)	15.4 (.61)	14.5 (.57)	15.4 (.61)	6.8 (.27)	7.7 (.30)	10.7 (.42)	11.6 (.46)	11.7 (.46)	12.6 (.50)	22	22 (.866)
15.5 (.61)	16.4 (.65)	15.5 (.61)	16.4 (.65)	7.8 (.31)	8.7 (.34)	11.7 (.46)	12.6 (.50)	12.7 (.50)	13.6 (.54)	23	23 (.906)
16.5 (.65)	17.4 (.69)	16.5 (.65)	17.4 (.69)	8.8 (.35)	9.7 (.38)	12.7 (.50)	13.6 (.54)	13.7 (.54)	14.6 (.57)	24	24 (.945)
17.5 (.69)	18.4 (.72)	17.5 (.69)	18.4 (.72)	9.8 (.39)	10.7 (.42)	13.7 (.54)	14.6 (.57)	14.7 (.58)	15.6 (.61)	25	25 (.984)
18.5 (.73)	19.4 (.76)	18.5 (.73)	19.4 (.76)	10.8 (.43)	11.7 (.46)	14.7 (.58)	15.6 (.61)	15.7 (.62)	16.6 (.65)	26	26 (1.02)
19.5 (.77)	20.4 (.80)	19.5 (.77)	20.4 (.80)	11.8 (.46)	12.7 (.50)	15.7 (.62)	16.6 (.65)	16.7 (.66)	17.6 (.69)	27	27 (1.06)
20.5 (.81)	21.4 (.84)	20.5 (.81)	21.4 (.84)	12.8 (.50)	13.7 (.54)	16.7 (.66)	17.6 (.69)	17.7 (.70)	18.6 (.73)	28	28 (1.10)
21.5 (.85)	22.4 (.88)	21.5 (.85)	22.4 (.88)	13.8 (.54)	14.7 (.58)	17.7 (.70)	18.6 (.73)	18.7 (.74)	19.6 (.77)	29	29 (1.14)
22.5 (.89)	23.4 (.92)	22.5 (.89)	23.4 (.92)	14.8 (.58)	15.7 (.62)	18.7 (.74)	19.6 (.77)	19.7 (.78)	20.6 (.81)	30	30 (1.18)

To select correct fastener:

1. Select receptacle

Choose a receptacle from pages 458-460

2. Select retainer and accessories

from page 461 and note any adjustment values

3. Specify stud length

Calculate the total material thickness (TMT) using the formula given for the receptacle selected. Find the range of TMT using the stud length selection table (left) using the column (A, B, C, D or E) given for the receptacle selected.

4. Complete the stud part number

by specifying the head style **H**, stud length **K**, and material **M**

Example:

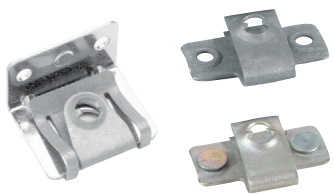
For rivet-on

D8-336-400-121 use column A
For TMT value calculated as 5.2 (.206), K = 12

For slotted head style in steel material, completed part number: D8-316-112-190

A complete example can be found on page 435.





D8 DZUS® PANEX Quarter-Turn Fasteners

Receptacles · Size 6

82

Material and Finish

Steel, zinc immersion coating or stainless steel

85

Installation Notes

Install with $\varnothing 3$ (.125) rivets

D8

Part Number

See table

D9

Notes

Utilize stud selection column indicated when choosing a stud length from the stud length table on page 457

D4

D5

D7

NY

Material and Finish

Steel, zinc immersion coating

Part Number

See table

Notes

Utilize stud selection column indicated when choosing a stud length from the stud length table on page 457

Material and Finish

Steel, zinc immersion coating

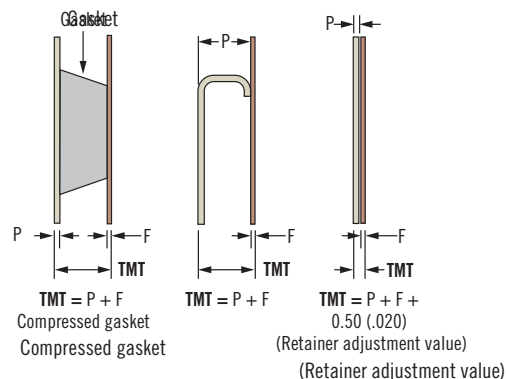
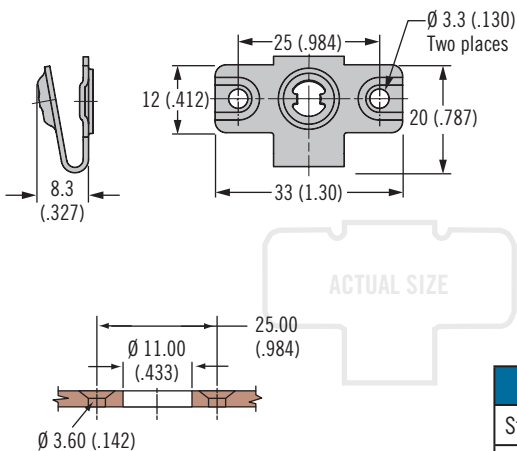
Part Number

See table

Notes

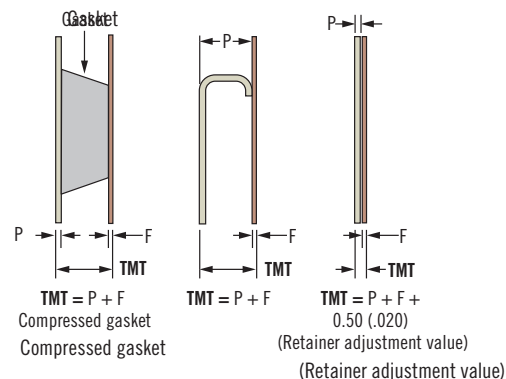
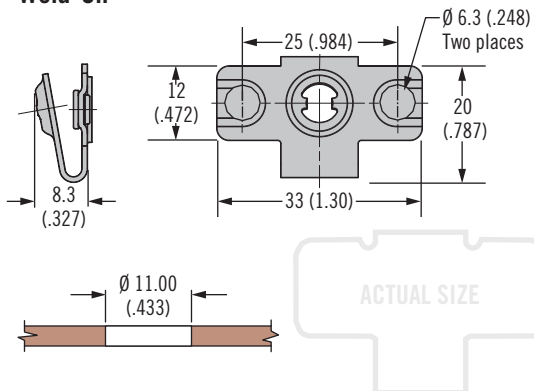
Utilize stud selection column indicated when choosing a stud length from the stud length table on page 457

Rivet-On



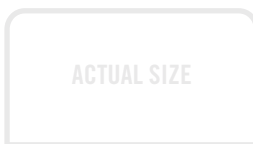
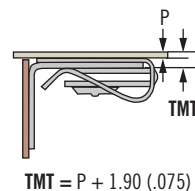
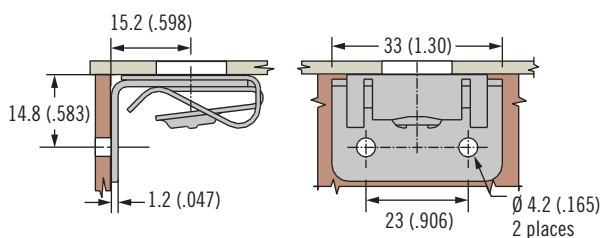
Part Number	Stud Selection Column
Steel D8-336-400-121	A
Stainless steel D8-336-400-200	

Weld-On



Part Number	Stud Selection Column
D8-336-500-121	A

Side Mount



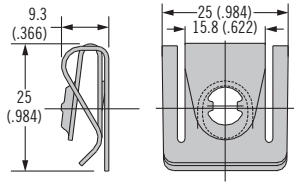
Part Number	Stud Selection Column
D8-336-310-121	B

D8 DZUS® PANEX Quarter-Turn Fasteners

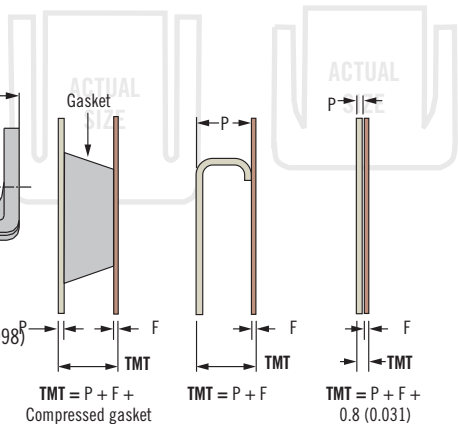
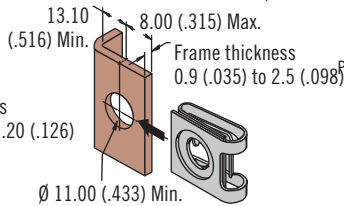
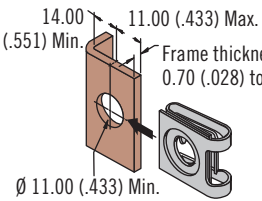
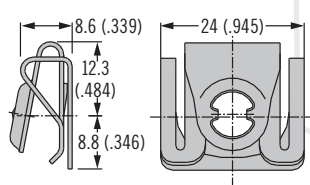
Receptacles · Size 6



Clip-On



Clip-On - Mini



Style	Material	Part Number	C	Stud Selection Column
Clip-On	Steel	D8-336-300-121	0.8(0.031)	B
Clip-On-Mini	Steel	D8-336-330-121	0.7(0.028)	
Clip-On-Mini	Stainless steel	D8-336-330-200		

Material and Finish

Steel, zinc immersion coating

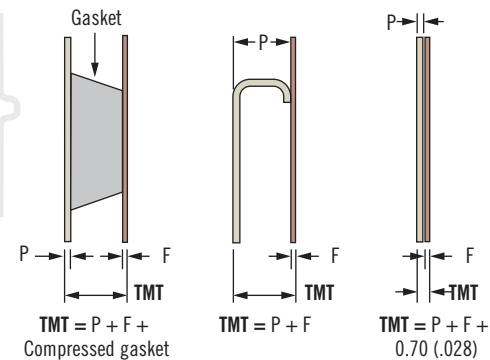
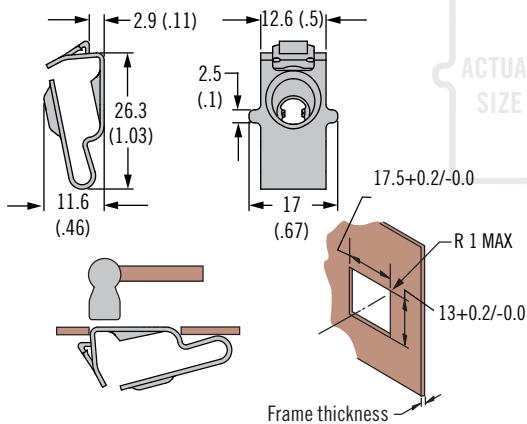
Part Number

See table

Notes

Utilize stud selection column indicated when choosing a stud length from the stud length table on page 457

Front Mount Clip-In



Part Number	Stud Selection Column
D8-336-700-121	B

Material and Finish

Steel, zinc immersion coating

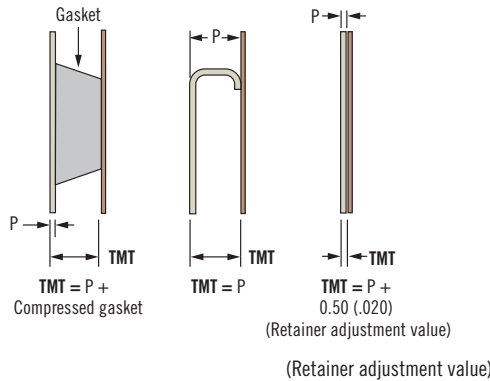
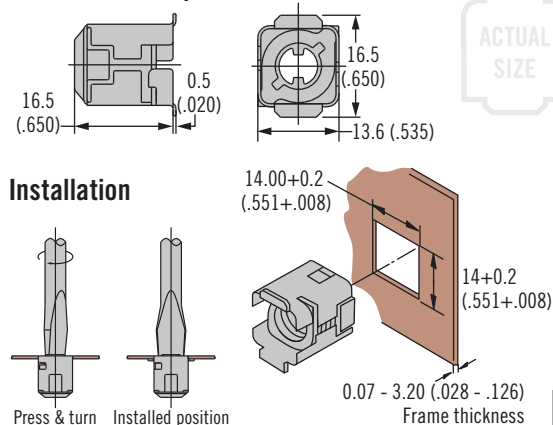
Part Number

See table

Notes

Utilize stud selection column indicated when choosing a stud length from the stud length table on page 457

Front Mount Snap-In



Part Number	Stud Selection Column
D8-336-200-190	C

Material and Finish

Steel, zinc plated

Part Number

See table

Notes

Utilize stud selection column indicated when choosing a stud length from the stud length table on page 457



D8 DZUS® PANEX Quarter-Turn Fasteners

Receptacles · Size 6

Material and Finish

Brass and steel, zinc plated

Installation Notes

Press receptacle flush to frame

Notes

Receptacle shown installed flush to the frame. To eliminate the gap between the frame and outer panel, install to a depth \geq the thickness of the selected retainer. This depth should be added to the TMT.

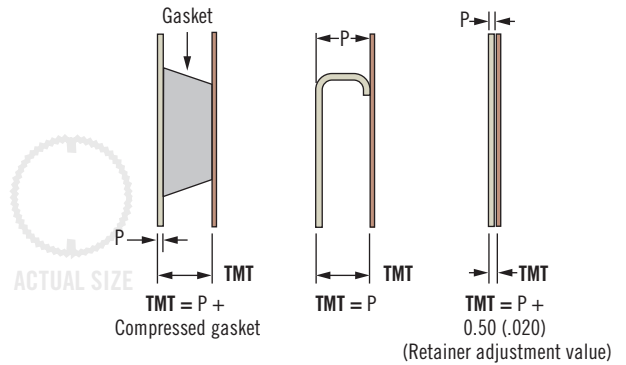
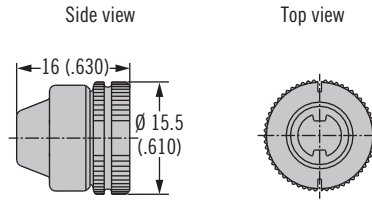
Part Number

See table

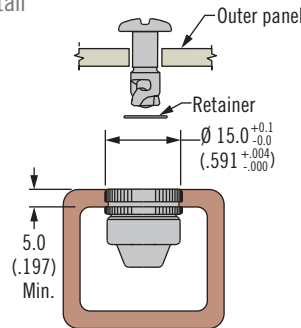
Notes

Utilize stud selection column indicated when choosing a stud length from the stud length table on page 457

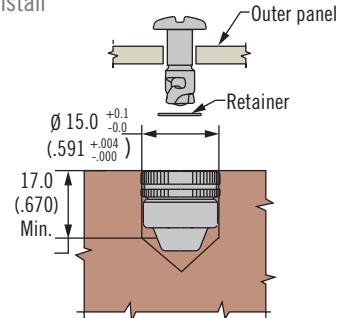
Press-In - Front Mount



Solid Install



Blind Install



Part Number	Stud Selection Column
D8-336-100-300	D

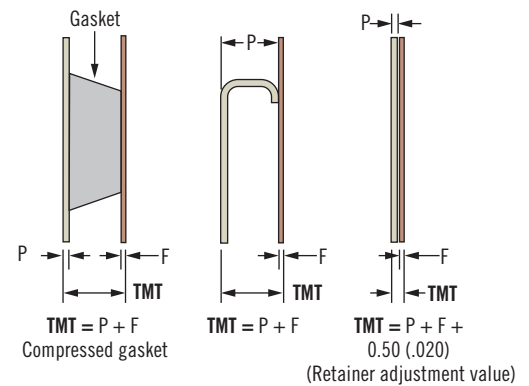
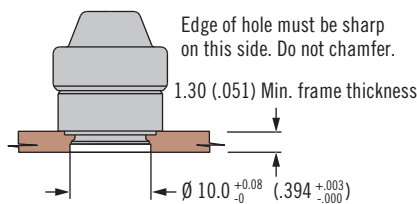
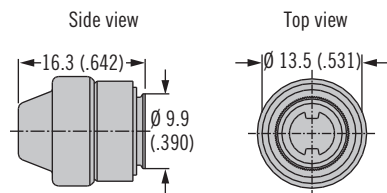
Material and Finish

Steel, zinc plated

Installation Notes

See page 627 for installation guidelines

Press-In - Self-Clinching



Part Number

See table

Notes

Utilize stud selection column indicated when choosing a stud length from the stud length table on page 457

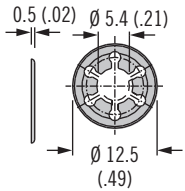
Part Number	Stud Selection Column
D8-336-110-190	E

D8 DZUS® PANEX Quarter-Turn Fasteners

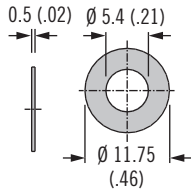
Retainers and Accessories · Size 6



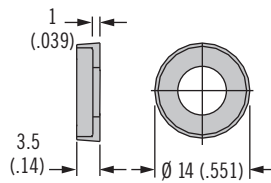
Retainer Push-On, Stainless Steel



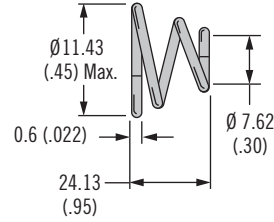
Retainer Push-On, Plastic



Cupped Washer

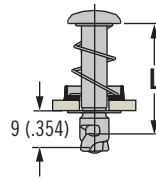


Ejector Spring



Ejector Spring and Cup Assembly

(Must be secured with stainless steel retainer)



Type	Part Number	Material	Adjustment Value
Push-on plastic	D8-326-100-040	High density polyethylene, black	Included in TMT calculation
Push-on	D8-326-101-200	Stainless steel	
Cupped washer	D8-376-001-049	Thermoplastic, black	Add 1.00 (.039)
Ejector spring	D4-EHF5-3-950QA	Stainless steel	Add 1.00 (.039)

Material and Finish

See table

Accessories

When using the ejecting version add 2 (.079) to your TMT

Notes

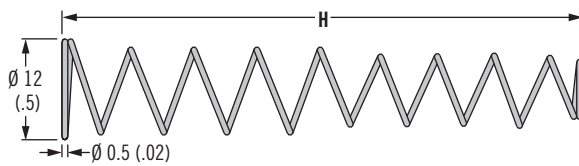
Cupped washer only available for tool recess head styles (slot, Phillips, hex, tamper resistant)

Assembly consists of spring, cup and stud ordered separately, shipped bulk

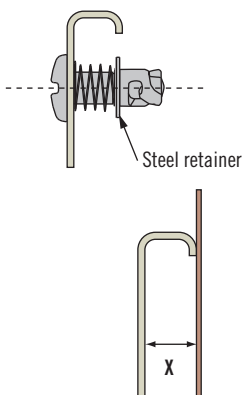
Part Number

See table

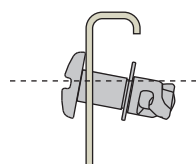
Retainer Spring (Must be secured with steel retainer)



With Retaining Spring



Without Retaining Spring



Part Number	H	X Min.	X Max.
D8-326-200-200	48 (1.89)	19 (.75)	44 (1.73)
D8-326-201-200	25 (.98)	5 (.197)	21 (.83)



D8 DZUS® PANEX Quarter-Turn Fasteners

Studs · Size 9

Material and Finish

Studs: Steel, zinc plated and chromate or chrome plated

82

85

D8

D9

D1

D4

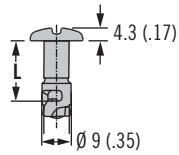
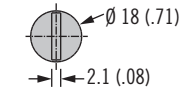
D5

D7

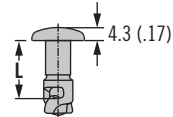
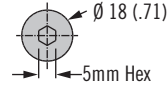
NY

H Head Styles - Tool Actuated

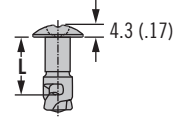
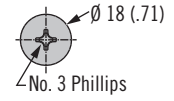
Oval Slot



Hex Recess

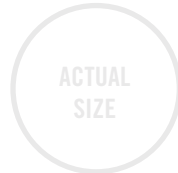
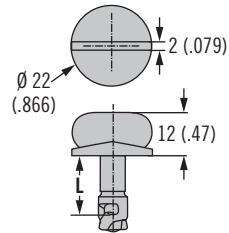


Phillips Recess

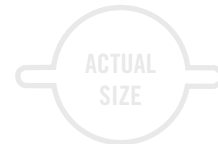
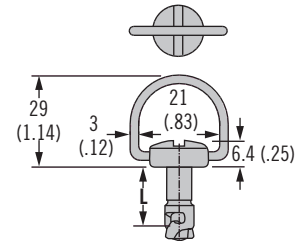


H Head Styles - Hand Actuated

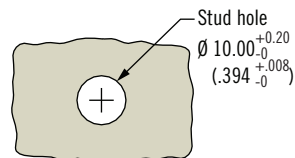
Wing



Bail

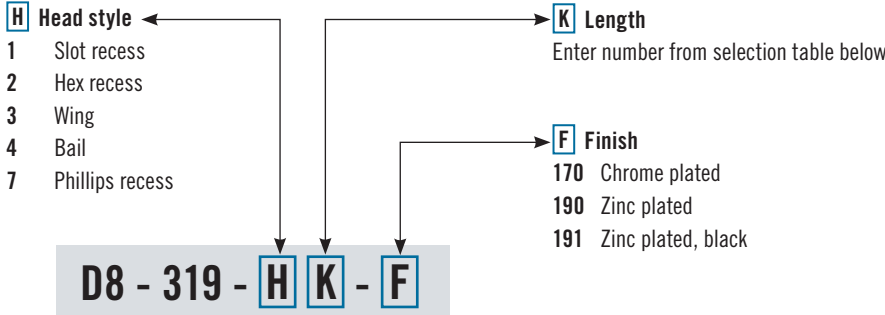


Stud Panel Preparation



D8 DZUS® PANEX Quarter-Turn Fasteners

Stud selection · Size 9



Part Number Selection

82

85

D8

D9

D1

D4

D5

D7

NY



To select correct fastener:

1. Select receptacle

Choose a receptacle from pages 464-466

2. Select retainer and accessories

from page 467 and note any adjustment values

3. Specify stud length

Calculate the total material thickness (TMT) using the formula given for the receptacle selected. Find the range of TMT using the stud length selection table (left) using the column (A, or B) given for the receptacle selected.

4. Complete the stud part number

by specifying the head style **H**, stud length **K**, and material **M**

Example:

For rivet-on

D8-339-400-121 use column A
For TMT value calculated as 5.2 (.206), K = 13

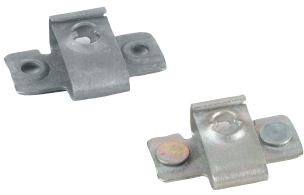
For slotted head style in steel, zinc plated material, completed part number: D8-319-113-190

A complete example can be found on page 435.

Notes

Stainless steel material may require a higher minimum order quantity. Contact Southco for details.

Stud Length Table					
A		B		K	L ±.15 (.006)
TMT Range For: D8-339-400-121 D8-339-500-121 D8-339-300-121 D8-339-301-121 D8-339-305-121		TMT Range For: D8-339-200-190			
Min.	Max.	Min.	Max.		
3.0 (.12)	3.9 (.15)	~	~	11	11 (.433)
4.0 (.16)	4.9 (.19)	~	~	12	12 (.472)
5.0 (.20)	5.9 (.23)	~	~	13	13 (.512)
6.0 (.24)	6.9 (.27)	~	~	14	14 (.551)
7.0 (.28)	7.9 (.31)	~	~	15	15 (.591)
8.0 (.31)	8.9 (.35)	~	~	16	16 (.630)
9.0 (.35)	9.9 (.39)	~	~	17	17 (.669)
10.0 (.39)	10.9 (.43)	~	~	18	18 (.709)
11.0 (.43)	11.9 (.47)	~	~	19	19 (.748)
12.0 (.47)	12.9 (.51)	~	~	20	20 (.787)
13.0 (.51)	13.9 (.55)	~	~	21	21 (.827)
14.0 (.55)	14.9 (.59)	2.5 (.10)	3.4 (.13)	22	22 (.866)
15.0 (.59)	15.9 (.63)	3.5 (.14)	4.4 (.17)	23	23 (.906)
16.0 (.63)	16.9 (.67)	4.5 (.18)	5.4 (.21)	24	24 (.945)
17.0 (.67)	17.9 (.70)	5.5 (.22)	6.4 (.25)	25	25 (.984)
18.0 (.71)	18.9 (.74)	6.5 (.26)	7.4 (.29)	26	26 (1.02)
19.0 (.75)	19.9 (.78)	7.5 (.30)	8.4 (.33)	27	27 (1.06)
20.0 (.79)	20.9 (.82)	8.5 (.33)	9.4 (.37)	28	28 (1.10)
21.0 (.83)	21.9 (.86)	9.5 (.37)	10.4 (.41)	29	29 (1.14)
22.0 (.87)	22.9 (.90)	10.5 (.41)	11.4 (.45)	30	30 (1.18)



D8 DZUS® PANEX Quarter-Turn Fasteners

Receptacles · Size 9

Material and Finish

Steel, zinc immersion coating

Installation Notes

Install with Ø 3 (.125) rivets

82

85

D8

D9

D1

D4

D5

D7

NY

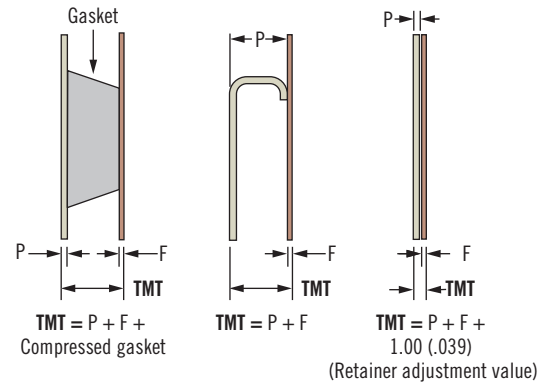
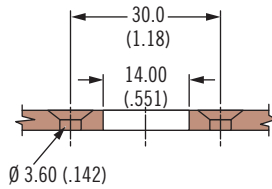
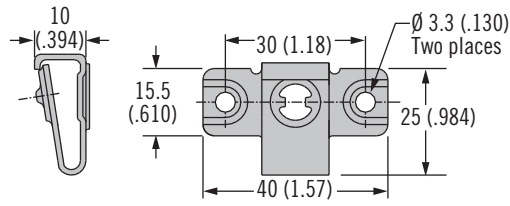
Part Number

See table

Notes

Utilize stud selection column indicated when choosing a stud length from the stud length table on page 463

Rivet-On

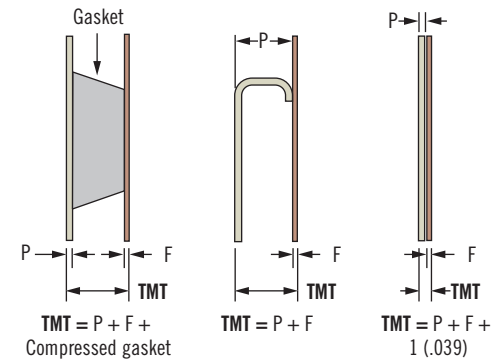
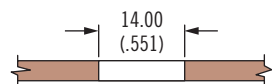
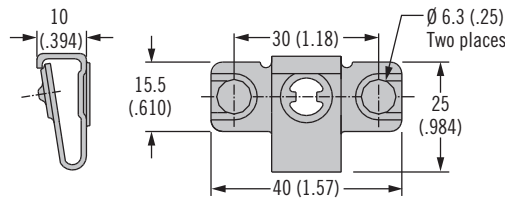


Part Number	Stud Selection Column
D8-339-400-121	A

Material and Finish

Steel, zinc immersion coating

Weld-On



Part Number	Stud Selection Column
D8-339-500-121	A

Part Number

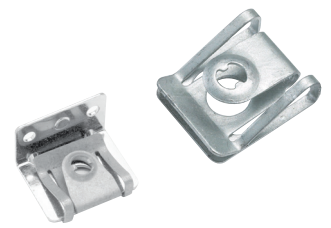
See table

Notes

Utilize stud selection column indicated when choosing a stud length from the stud length table on page 463

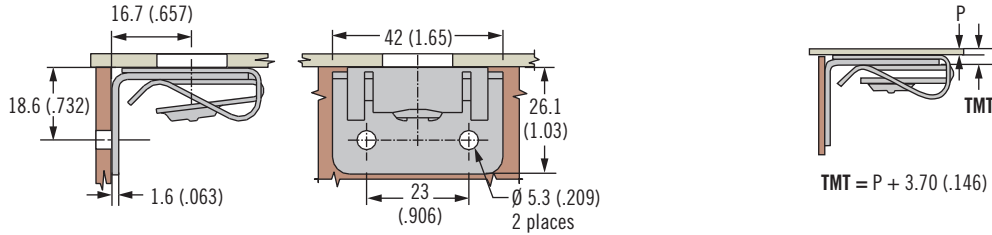
D8 DZUS® PANEX Quarter-Turn Fasteners

Receptacles · Size 9



465

Side Mount



ACTUAL SIZE

Material and Finish

Steel, zinc immersion coating

82

85

D8

D9

D1

D4

D5

D7

NY



Part Number

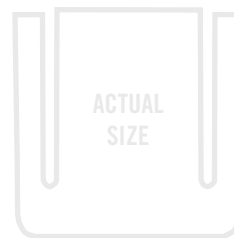
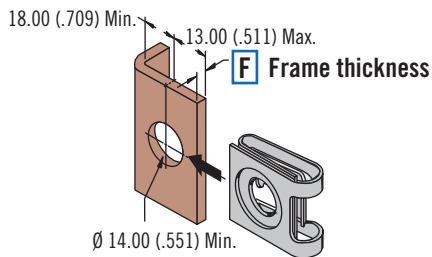
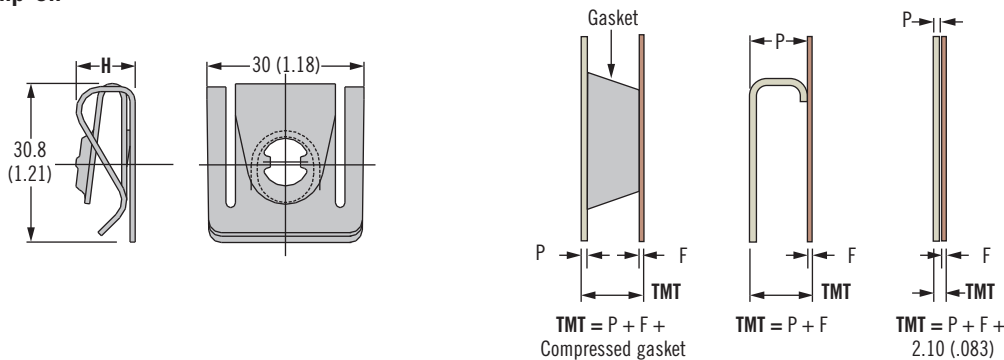
See table

Notes

Utilize stud selection column indicated when choosing a stud length from the stud length table on page 463

Part Number	Stud Selection Column
D8-339-305-121	A

Clip-On



ACTUAL SIZE

Material and Finish

Steel, zinc immersion coating

Part Number

See table

Notes

Utilize stud selection column indicated when choosing a stud length from the stud length table on page 463

F Frame Thickness Range	Part Number	H	Stud Selection Column
0.7 - 3.2 (.028 - .126)	D8-339-300-121	10.7 (.421)	A
3.2 - 5.5 (.126 - .217)	D8-339-301-121	11.3 (.445)	



D8 DZUS® PANEX Quarter-Turn Fasteners

Receptacles · Size 9

Material and Finish

Steel, zinc plated

82

85

D8

D9

D1

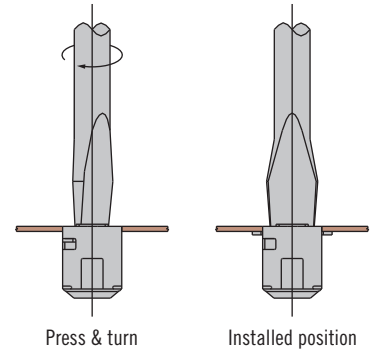
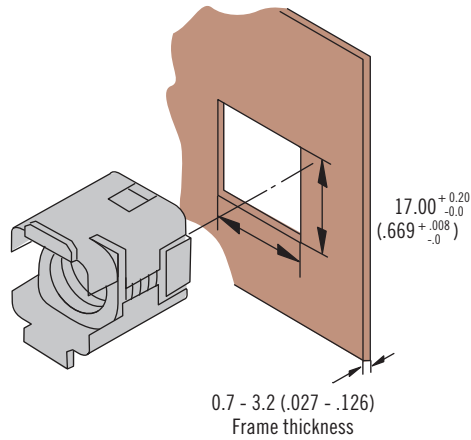
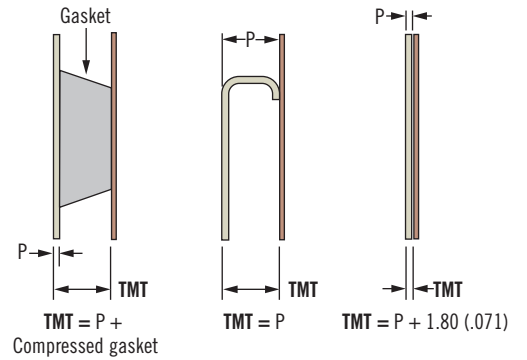
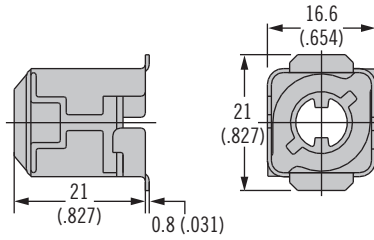
D4

D5

D7

NY

Front Mount



Part Number

See table

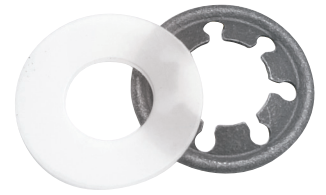
Notes

Utilize stud selection column indicated when choosing a stud length from the stud length table on page 463

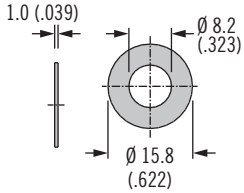
Type	Part Number	Stud Selection Column
Front mount	D8-339-200-190	B

D8 DZUS® PANEX Quarter-Turn Fasteners

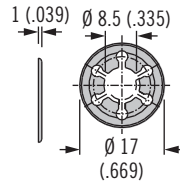
Retainers and accessories · Size 9



Retainer Push-On, Plastic



Retainer Push-On, Steel



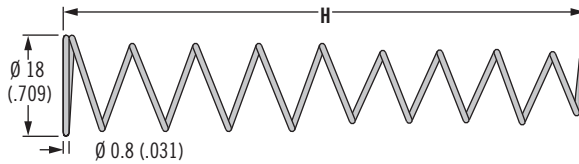
Type	Part Number	Material	Adjustment Value
Push-on Plastic	D8-329-101-040	Nylon 6/6 Black	Included in TMT calculation
Push-on	D8-329-101-200	Stainless steel	

Material and Finish

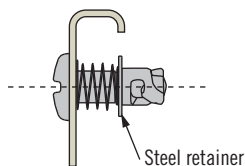
See table

- 82
- 85
- D8**
- D9
- D1
- D4
- D5
- D7
- NY

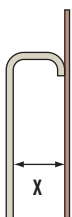
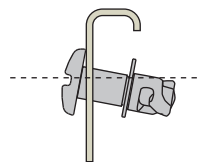
Retainer Spring (Must be secured with steel retainer)



With Retaining Spring



Without Retaining Spring



Part Number	H	X Min.	X Max.
D8-329-200-200	48 (1.89)	7 (.276)	43 (1.69)