

# E6 Hinge

Position control · Adjustable torque

- Hold doors open, in position
- User-adjusted holding torque

### Material and Finish

Leaves: Acetal  
 Pin: Polycarbonate  
 Adjustment screw & nut:  
 Stainless steel

### Performance Details

Radial load:  
 Large: 3110 N (700 lbf)  
 Medium: 1780 N (400 lbf)

Axial load:  
 Large: 2000 N (450 lbf)  
 Medium: 890 N (200 lbf)

Maximum prevailing torque of hinge:  
 Large: 4 N·m (35 in·lbf)  
 Medium: 0.8 N·m (7 in·lbf)

Operating temperature range:  
 -5°C (20°F) to 65°C (150°F)

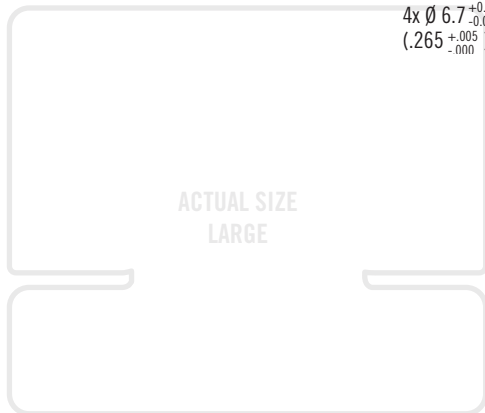
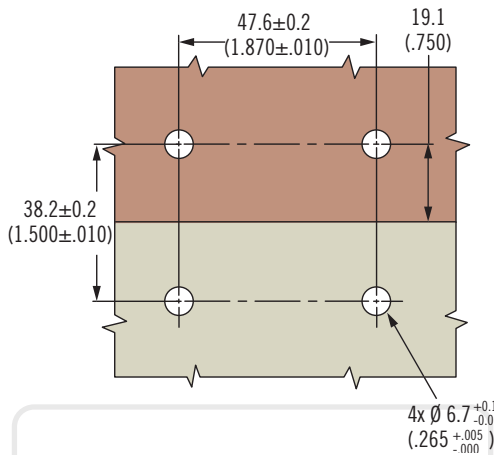
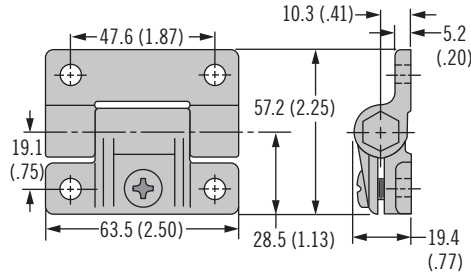
### Installation Notes

Mount with:  
 Large: M6 (1/4-20)  
 Medium: M4 (8-32)  
 (screws not supplied)

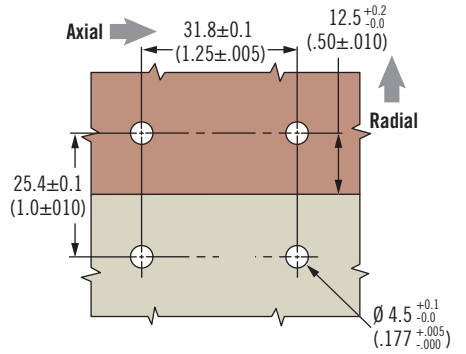
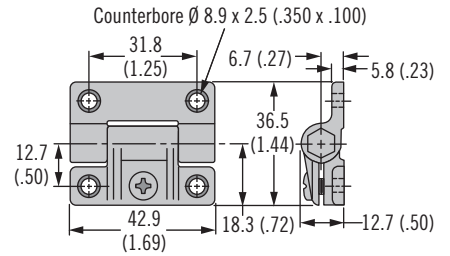
### Part Number

See table

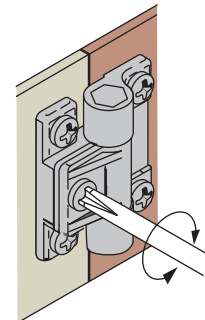
### Large



### Medium



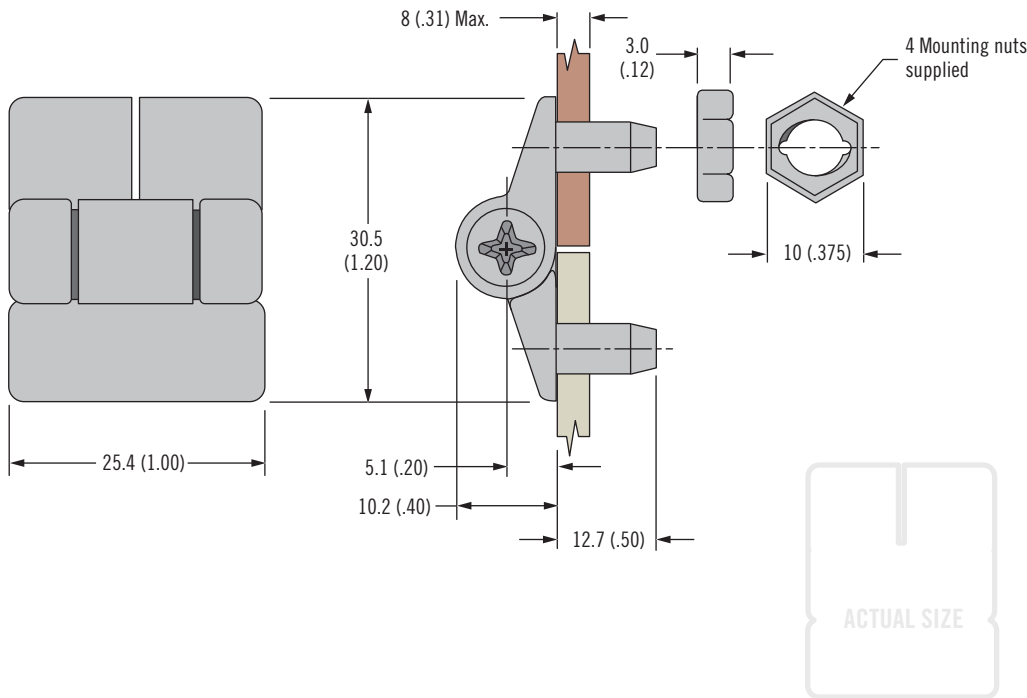
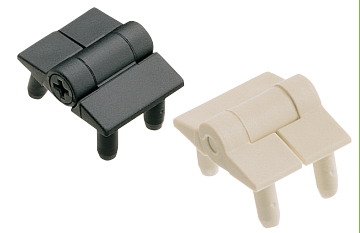
### Torque Adjustment



Part Number		
Color	Large	Medium
Black	E6-10-501-20	E6-10-301-20
White	E6-10-501-10	E6-10-301-10

# E6 Hinge

Position control · Adjustable torque



- Hold doors open, in position
- User-adjusted holding torque

### Material and Finish

Acetal, nylon  
 Mounting hardware:  
 Steel, zinc plated

### Performance Details

Radial load:  
 Average ultimate load:  
 1150 N (260 lbf)

Axial load:  
 Average ultimate load:  
 950 N (214 lbf)

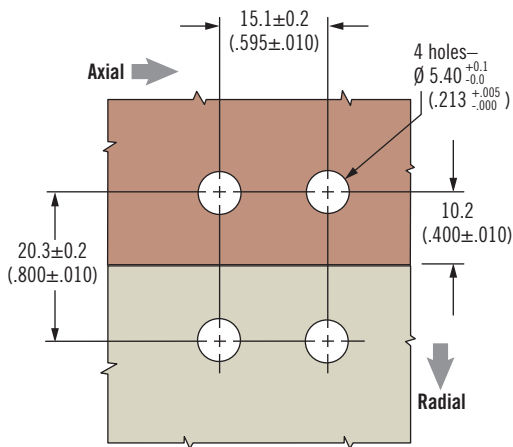
Maximum prevailing torque of hinge:  
 0.25 N·m (2.2 in·lbf)

Operating temperature range:  
 -5°C (-20°F) to 65°C (150°F)

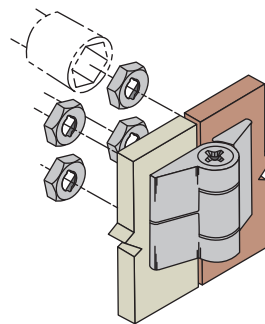
### Notes

Packaging: One hinge and four mounting nuts per bag

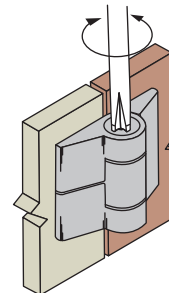
### 1. Prepare door and frame



### 2. Mount



### 3. Adjust torque



Color	Part Number
Black	E6-10-101-20
White	E6-10-101-30

### Part Number

See table