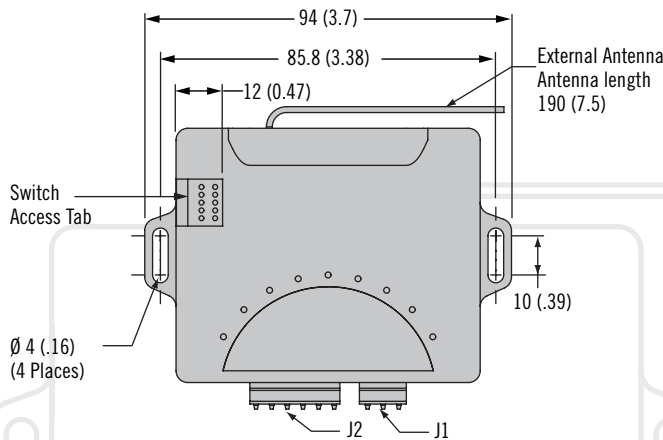
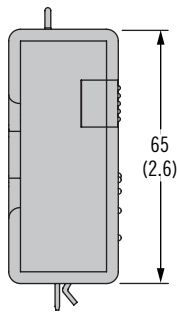


EA-R02 RF Remote Control System

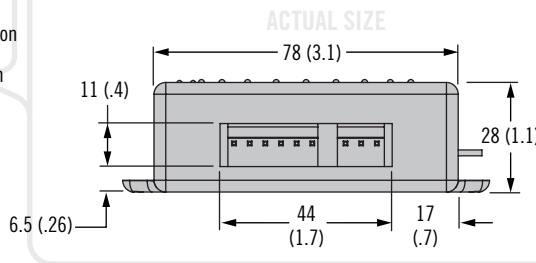
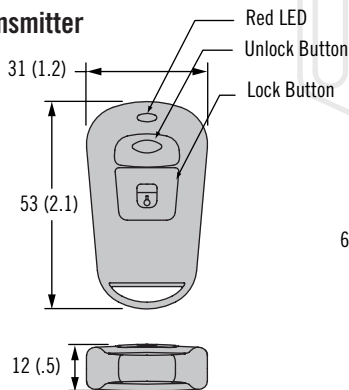
Electronic access for indoor applications



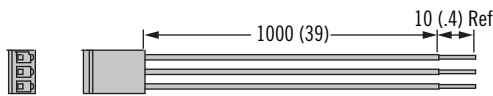
Receiver



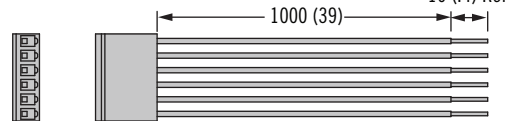
Transmitter



Power Supply and Auxiliary Output Wire Harness (J1)



LOCK & UNLOCK Relay Wire Harness (J2)



Pin	Wire Color	Description
1	Red	VCC (+12VDC Power Supply Input)
2	Black	GND (Ground)
3	Yellow	Auxiliary Output (Vout = VCC)

Pin	Wire Color	Description
1	Blue/Black	LOCK Relay – Normally Closed (typically connect to GND)
2	Blue	LOCK Relay – Common (typically connect to latch)
3	Blue/Red	LOCK Relay – Normally Open (typically connect to VCC)
4	Green/Black	UNLOCK Relay – Normally Closed (typically connect to GND)
5	Green	UNLOCK Relay – Common (typically connect to latch)
6	Green/Red	UNLOCK Relay – Normally Open (typically connect to VCC)

- Secure, convenient, wireless remote lock actuation
- Quick installation and setup
- Proven 433 MHz radio frequency technology
- Up to 4 transmitters per receiver
- 18 meter (60 feet) unobstructed open air operating range
- Auxiliary output for horn/light indicator output

Material & Finish

ABS Plastic

Electrical Specifications

Receiver

Power: 12VDC (±10%)

Standby Current: 10mA Maximum, No Attached Devices

Operating Current: 100mA Maximum, No Attached Devices

Outputs: Three Form C Relays, Rated 15A at 14VDC

Lock/Unlock Output Pulse Duration: 250ms or 10 sec (Selectable)

Operating Temperature: -20 to 80 °C

Operation

Operating Frequency: 433.92MHz

Not for use in Japan

Coding Type: Fixed Code (24-Bit)

Switch Access Tab

Switch 1 - Used to enroll transmitters

Switch 2 - Used to set LOCK and UNLOCK pulse duration

RF Remote Control System Part Number: EA-R02

Includes 1 Receiver, 2 Transmitters (EA-R02-102),
1 Pair Power/Auxiliary and Lock/Unlock Relay Connector Wire Harnesses and Operating Instructions

Note: Individual components can be ordered separately. Contact Southco for information.



Dimensions in millimeters (inch) unless otherwise stated



Other options available. For complete details on variety, part numbers, installation and specification, go to



www.southco.com/EA