



# EH Hinge

## Surface mount

- Multiple size and mounting options
- Concealed mounting hardware

### Material and Finish

Leaf: Zinc alloy black powder coated, chrome plated or nylon black

Pin: Stainless steel

Thread studs: Steel, zinc plated

### Performance Details

Size	Radial Load	Axial Load
40 Zinc	1330 N (298 lbf)	2220N (500 lbf)
50 Zinc	2140 N (481 lbf)	3560 N (800 lbf)
50 Nylon	890 N (200 lbf)	1230N (276 lbf)
60 Zinc	1400 N (315 lbf)	3000N (675 lbf)

### Installation Notes

Countersunk version:

40 Size M5 (No. 10) CSK screw

50 Size M6 (No. 1/4 - 20)

CSK screw (not supplied)

60 Size M8 (5/16-18)

CSK screw (not supplied)

Threadstud version:

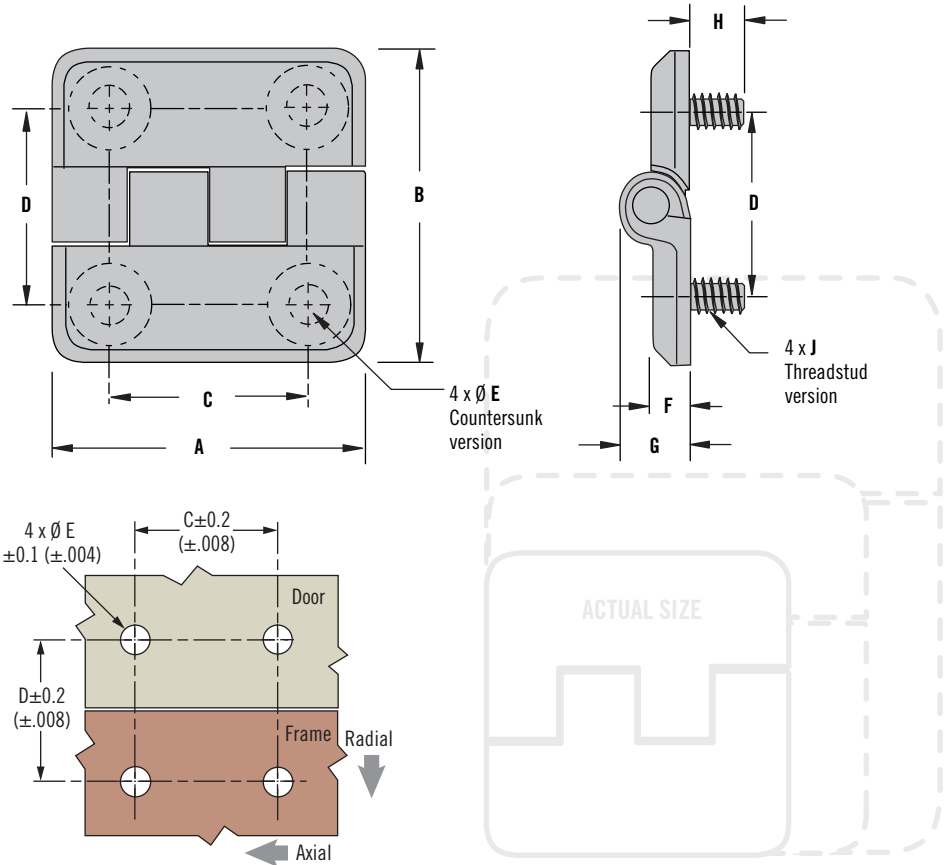
40 Size M5 nuts (not supplied)

50 Size M6 nuts (not supplied)

60 Size M8 nuts (not supplied)

### Part Number

See table

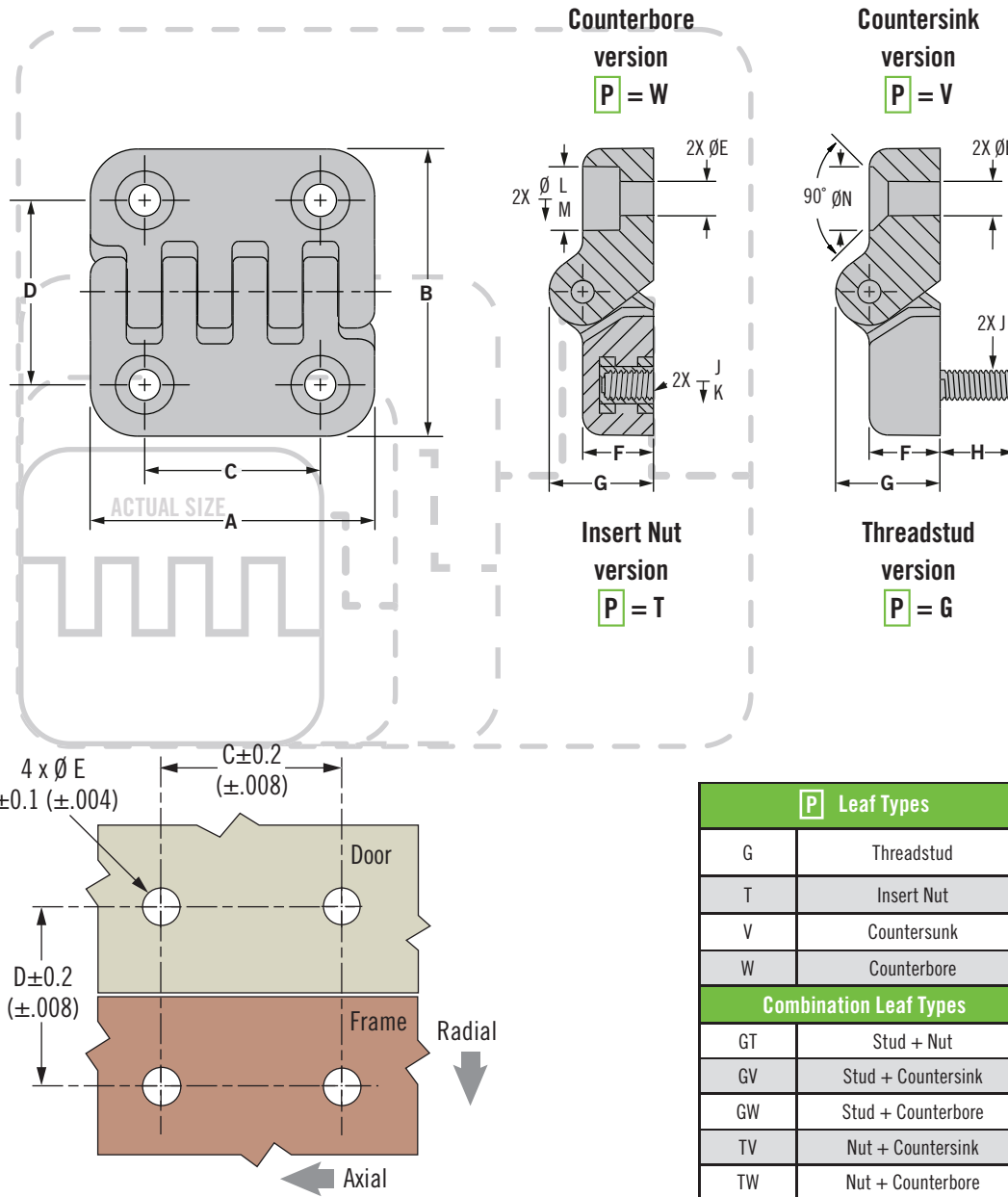


A	B	Thread Stud Part Number			C	D	F	G	H	Thread stud J
		Zinc chrome	Zinc black	Nylon black						
40 (1.57)		EH-5A-4G4-38	EH-5A-4G4-50	~	25 (.984)	5 (.20)	9 (.35)	8.5 (.35)	M5	
50 (1.97)		EH-6A-5G5-38	EH-6A-5G5-50	EH-6A-5G5-20	30 (1.181)	6 (.24)	11 (.43)	8 (.31)	M6	
60 (2.36)	60 (2.36)	~	EH-7A-6G6-50	~	36 (1.42)	36 (1.42)	8 (.31)	15.4 (.60)	13	M8
60 (2.36)	90 (3.54)	~	EH-7E-6G9-50	~	36 (1.42)	63 (2.20)	8 (.31)	15.4 (.60)	13	M8
60 (2.36)	120 (4.72)	~	EH-7A-6G12-50	~	36 (1.42)	90 (3.54)	8 (.31)	15.4 (.60)	13	M8

A	B	Countersunk Thru-Hole Part Number			C	D	Ø E	F	G
		Zinc chrome	Zinc black	Nylon black					
40 (1.57)		EH-5A-4V4-38	EH-5A-4V4-50	~	25 (.984)	5.4 (.213)	5 (.20)	9 (.35)	
50 (1.97)		EH-6A-5V5-38	EH-6A-5V5-50	EH-6A-5V5-20	30 (1.181)	6.4 (.252)	6 (.24)	11 (.43)	
60 (2.36)	60 (2.36)	~	EH-7A-6V6-50	~	36 (1.42)	36 (1.42)	8.5 (.33)	8 (.31)	15.4
60 (2.36)	76 (3)	EH-7A-6V8-38	EH-7A-6V8-50	~	36 (1.42)	56 (2.20)	6.4 (.252)	8 (.31)	15 (.59)
60 (2.36)	90 (3.54)	~	EH-7E-6V9-50	~	36 (1.42)	63 (2.20)	8.5 (.33)	8 (.31)	15.4
60 (2.36)	120 (4.72)	~	EH-7A-6V12-50	~	36 (1.42)	90 (3.54)	8.5 (.33)	8 (.31)	15.4

# EH Hinge

## Surface mount



- Multiple sizes and mounting options
- Corrosion resistant exterior
- Allows 180 degree opening

### Material and Finish

Nylon, black, stainless steel pin, zinc plated steel insert nuts and threadstuds

P Leaf Types	
G	Threadstud
T	Insert Nut
V	Countersunk
W	Counterbore
Combination Leaf Types	
GT	Stud + Nut
GV	Stud + Countersink
GW	Stud + Counterbore
TV	Nut + Countersink
TW	Nut + Counterbore

### Part Number

See table

**Example Part Number:**  
**EH-7B-6V6-20**

65mm size with both leaves countersunk

Part Number	Axial Length	Radial Length	Through hole								Threadstud / Nut Insert		
			A	B	C	D	ØE	F	G	ØL	M	ØN	H
EH-5B-4 <b>P</b> 4-20	40 (1.57)	39 (1.54)	25 (.98)	25 (.98)	4.4 (1.7)	9.5 (.37)	14 (.55)	8.5 (.33)	5 (.20)	8.5 (.33)	10 (.39)	M4	6.5 (.26)
EH-6B-5 <b>P</b> 5-20	50 (1.97)	48 (1.89)	30 (1.18)	31 (1.22)	5.4 (2.1)	11 (.43)	19 (.75)	10 (.39)	5.5 (.22)	10 (.39)	14 (.55)	M5	7.5 (.30)
EH-7B-6 <b>P</b> 6-20	65 (2.56)	64 (2.52)	40 (1.57)	40 (1.57)	6.4 (2.5)	13.5 (.53)	23 (.91)	11 (.43)	6.5 (.26)	12.5 (.49)	18 (.71)	M6	9 (.35)
EH-12B-10 <b>P</b> 10-20	97 (3.82)	98 (3.86)	59.5 (2.34)	62.5 (2.46)	10.4 (.41)	20.5 (.81)	35 (1.38)	17 (.67)	10.5 (.41)	20 (.79)	20 (.79)	M10	15 (.59)



# EH Hinge

## Surface Mount

- Allows 180 degree opening
- Adjustable mounting
- Ideal for larger doors

### Material and Finish

Leaves: Aluminum alloy, black paint  
Pin: Stainless steel

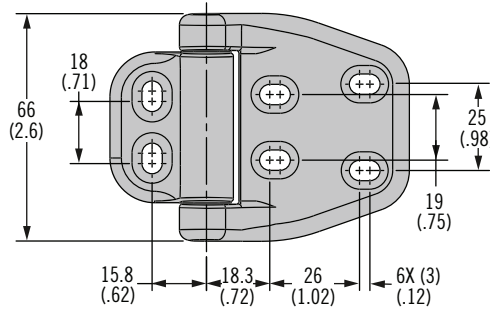
### Performance Details

Radial load:  
Max. static load: XXX N (XX lbf)  
Axial load:  
Max. static load: XXX N (XX lbf)

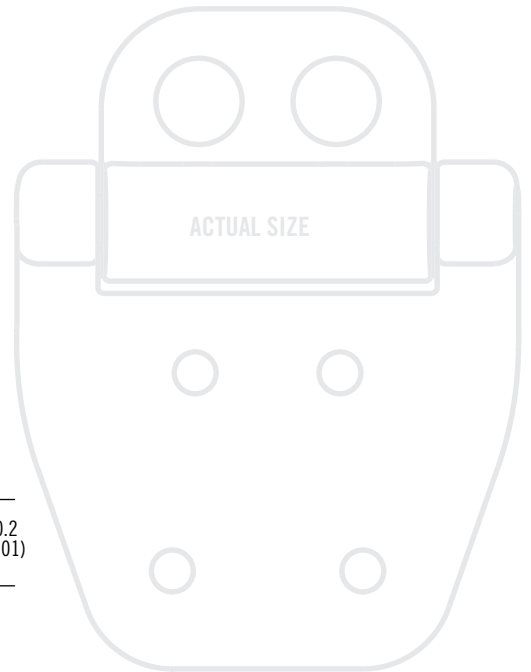
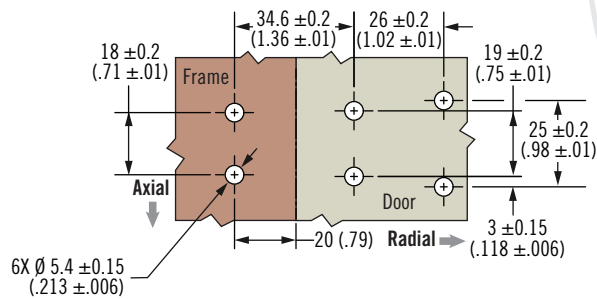
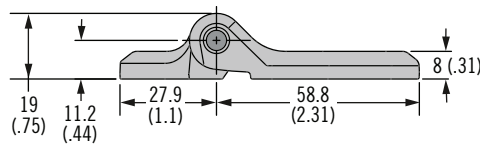
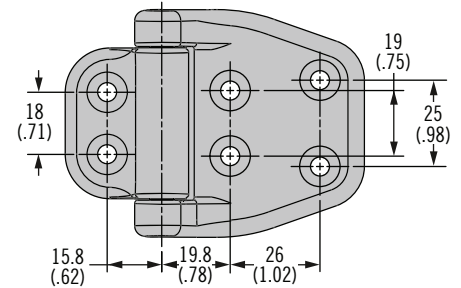
### Installation Notes

Counterbore version:  
M5 (No. 10) pan head screws  
(not supplied)  
Countersunk version:  
M5 (No.10) flat head screws  
(not supplied)

### Counterbore Thru-Holes



### Countersunk Thru-Holes



### Part Number

See table

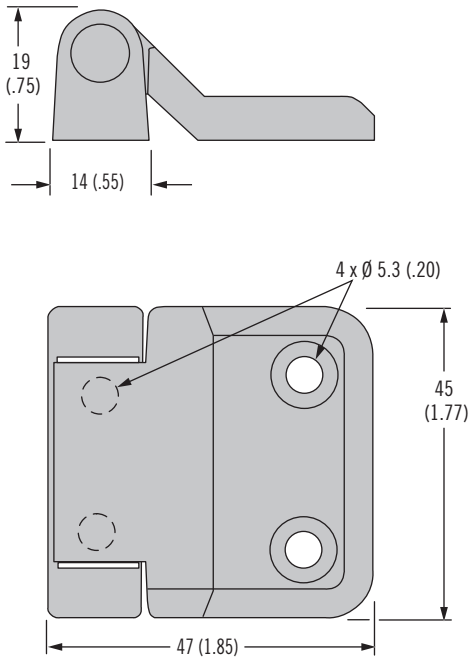
Part Number	
Counterbore Thru-Hole	EH-8C-6W8-82
Countersunk Thru-Hole	EH-8C-6V8-82

# EH Hinge

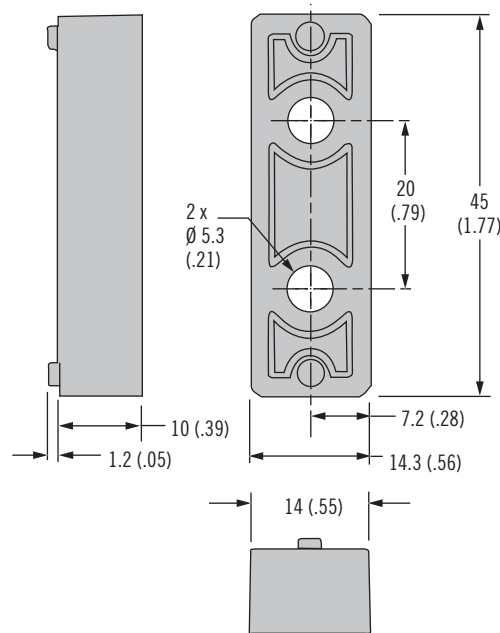
Surface mount · Offset



## Hinge



## Spacer



- Allows 180 degree opening
- Offset pivot maximizes cabinet access
- Ideal for closely spaced enclosures



## Material and Finish

Zinc alloy, black powder coated or bright chrome plated  
Pin: Stainless steel

## Product Strength Guidelines

Radial load:

Maximum static load:  
2670 N (600 lbf)

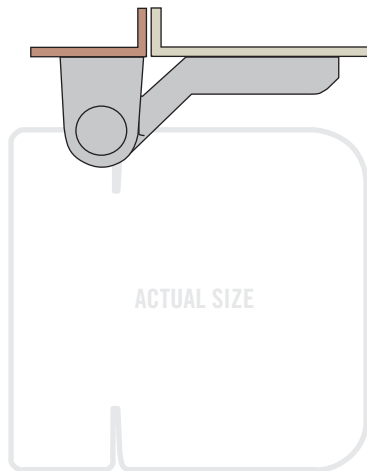
Axial load:

Maximum static load:  
2670 N (600 lbf)

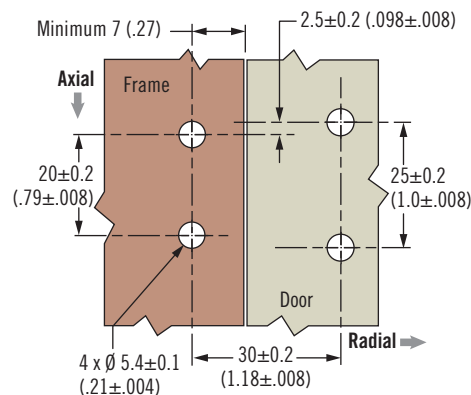
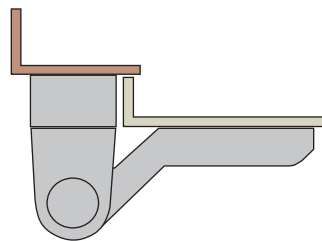
## Installation Notes

Screws not supplied.  
Attach hinge with M5 (No. 10) CSK

## Standard Flush Mount



## Offset Mount with Spacer



Finish	Part Number	
	Hinge	Spacer
Chrome	EH-6C-5V4-38	EH-6C-B-38
Black	EH-6C-5V4-50	EH-6C-B-50

## Part Number

See table