

F2 Compression System

System integration

- Designed for indoor enclosures
- Operates outside the enclosure's seal
- Installs close to the door edge
- System engages when door is up to 15 mm (.59 in) away from the closed position

Notes

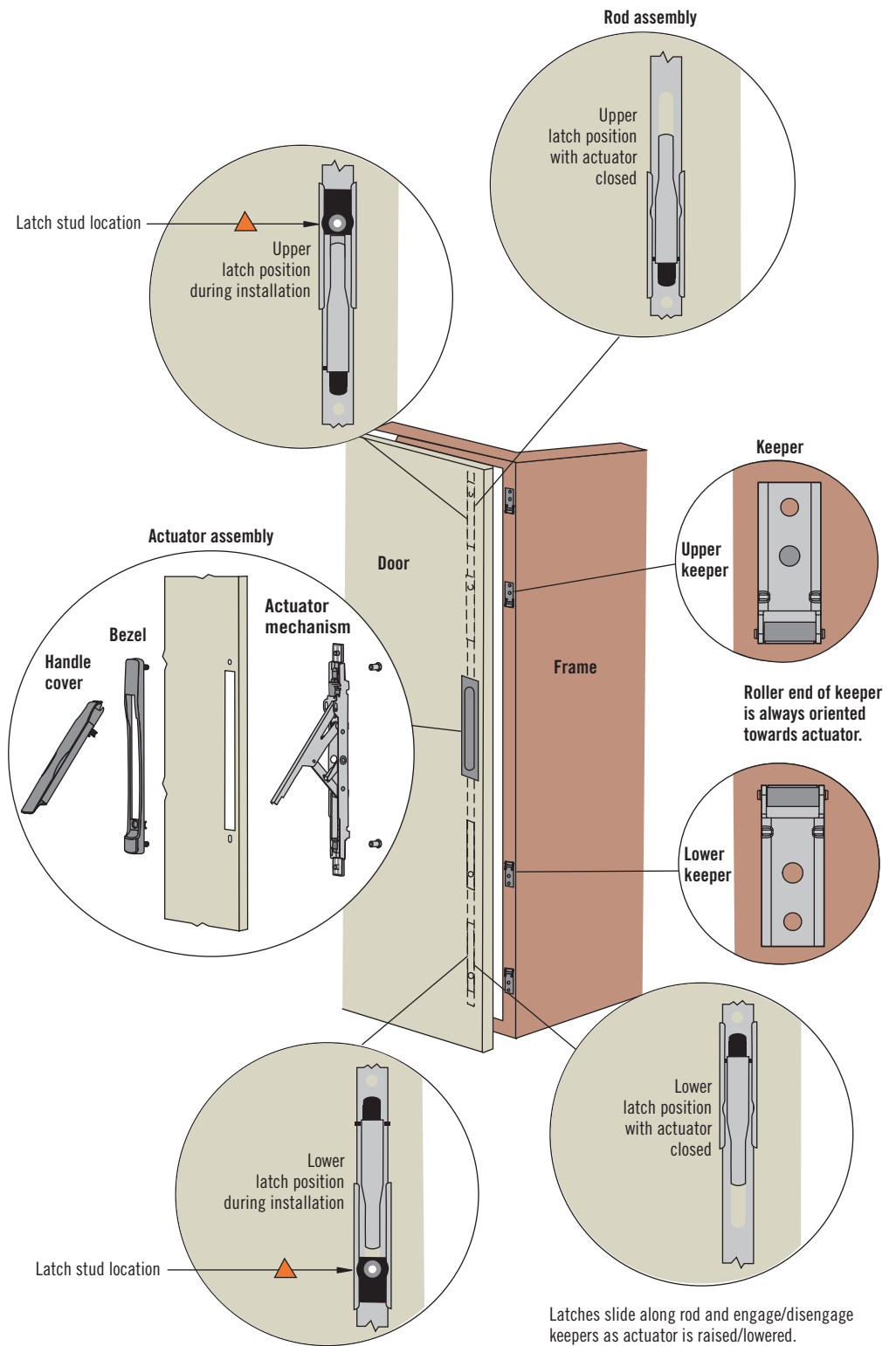
One complete system consists of:

One actuator assembly
(see page 221)

Two rod assemblies
(see pages 222-223)

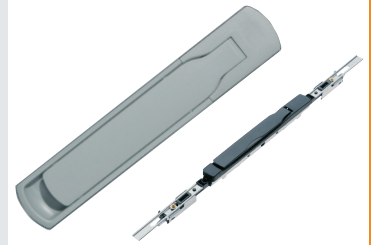
Keepers (quantity depends on no. of latches specified; see page 223)

Order each component separately

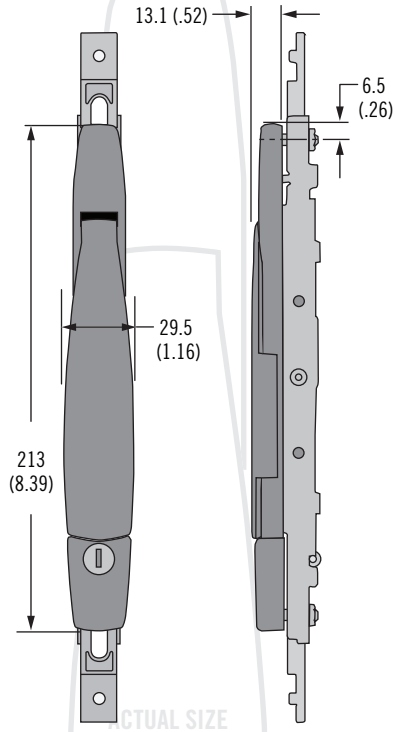


F2 Compression System

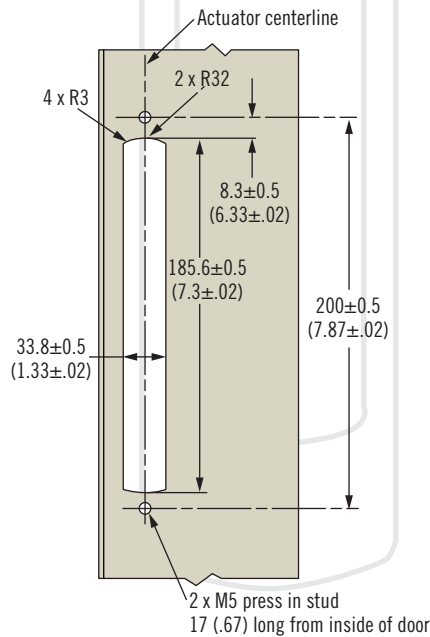
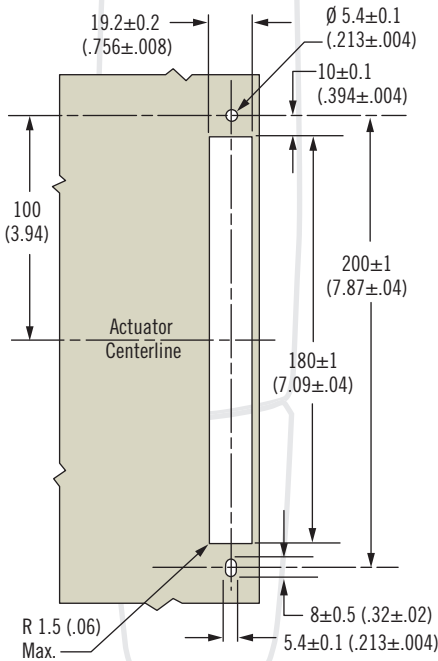
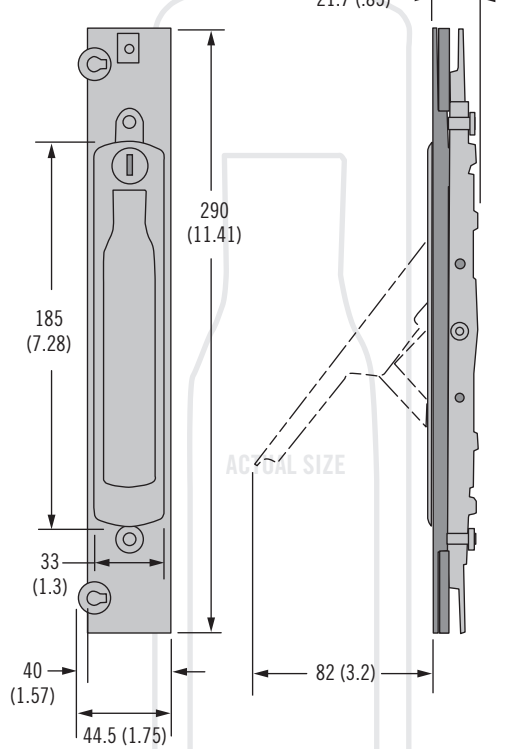
Surface and flush actuators



Surface Actuator



Flush Actuator



- Designed for indoor enclosures
- Operates outside the enclosure's seal
- System engages when door is up to 15 mm (.59 in) away from the closed position

Material and Finish

PC/ABS plastic, black
Zinc alloy and steel, zinc plated

Performance Details

Max. static load:
100 N (22 lbf) per latch point
500 N (112 lbf) for entire system
Flammability rating:
UL94-V0 for all plastic components

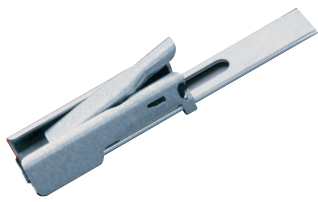
Accessories

Flat key keyed alike CH751
(2 keys per ring)
Part number: PK-10-01
Overmolded key keyed alike CH751
(2 keys per ring)
Part number: PK-10-01-05
Plain key SC001 (2 keys per ring)
Part number: FK-KEY-SC001

Part Number

Actuator only see table
One complete system consists of:
One actuator assembly
(see page 221)
Two rod assemblies
(see pages 222-223)
Keepers (quantity depends on no. of
latches specified; see page 223)
Order each component separately

Lock Style	Surface Actuator Part Number	Flush Actuator Part Number
Non-locking	F2-20-17	F2-20-12
Key-locking keyed alike SC001 (two keys supplied)	F2-20-18	F2-20-13
Key-locking keyed alike CH751 (two keys supplied)	F2-20-19	~



F2 Compression System

Rod assembly · High compression

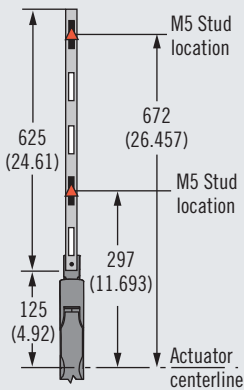
- Multiple lengths and latching point locations
- Latching mechanisms engage keepers when door is up to 15 mm (.59 in) away from the closed position

Material and Finish

PC/ABS plastic black, zinc alloy and steel, zinc plated

Installation Notes

Latch installation stud is not supplied. Use M5 press-in studs or non-flanged weld studs. Length is 6 (.24) to 10 (.39) Maximum, measured from inside surface of the door. Example: F2-10-625-25



Stud must be positioned within 0.2 (.008) of nominal

Part Number

High compression rod assembly only see table

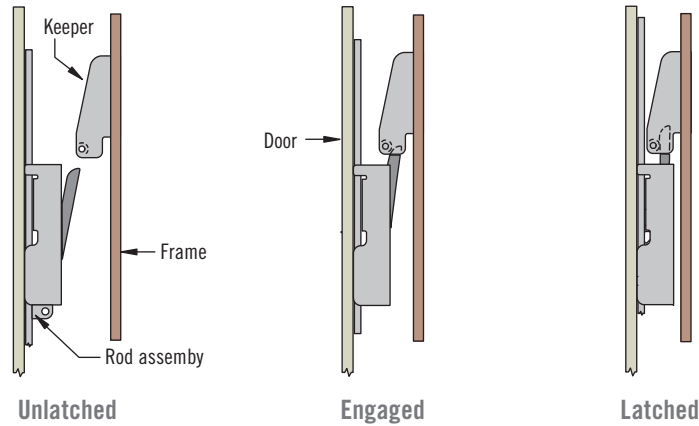
One complete system consists of:

One actuator assembly (see page 221)

Two rod assemblies (see pages 222-223)

Keepers (quantity depends on no. of latches specified; see page 223)

Order each component separately



Rod Length	Latch Installation Stud Locations from Centerline of Actuator	Part Number								
		F2-10-125-1	F2-10-250-2	F2-10-375-3	F2-10-375-13	F2-10-500-14	F2-10-625-25	F2-10-750-26	F2-10-750-36	F2-10-875-37
125 (4.92)	172 (6.772)									
250 (9.84)	297 (11.693)									
375 (14.76)	422 (16.614)									
500 (19.69)	547 (21.535)									
625 (24.61)	672 (26.457)									
750 (29.53)	797 (31.378)									
875 (34.45)	922 (36.299)									

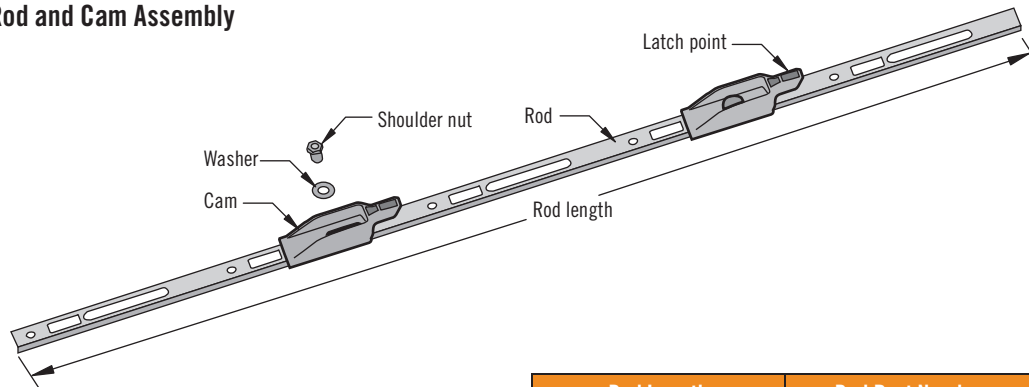


F2 Compression System

Rod assembly · Flexible



Rod and Cam Assembly



Cam Assembly Part Number	
Hardware pack assembly contains 1 x cam, washer and shoulder nut (order 1 hardware pack per latching point)	F2-50-1

Rod Length	Rod Part Number
125 (4.92)	F2-11-125-19
250 (9.84)	F2-11-250-19
375 (14.76)	F2-11-375-19
500 (19.69)	F2-11-500-19
625 (24.61)	F2-11-625-19
750 (29.53)	F2-11-750-19
875 (34.45)	F2-11-875-19

- Flexible mounting options

Material and Finish

Glass-filled nylon black, brass and steel, zinc plated

Part Number

Rod and cam assembly only see table
The complete system consists of:
One actuator assembly (see page 221)
Two rod assemblies (see pages 222-223)
Keepers (quantity depends on no. of latches specified; see page 223)
Order each component separately

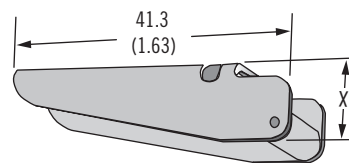
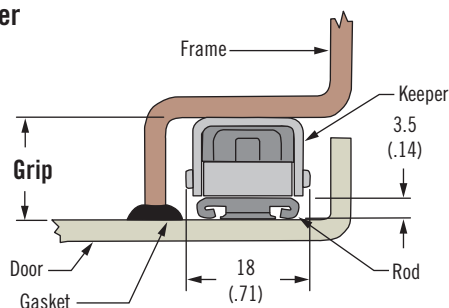
www.southco.com/F2

F2 Compression System

Keeper



Keeper



- Keeper roller provides for smooth operation

Notes

Order one keeper per latching point

Part Number

Keeper only see table
One complete system consists of:
One actuator assembly (see page 221)
Two rod assemblies (see pages 222-223)
Keepers (quantity depends on no. of latches specified; see page 223)
Order each component separately

Grip	Part Number	X	Rod System Compatibility	
			High Compression	Flexible
15 (.59)	F2-30-15	11.5 (.45)	<input type="checkbox"/>	~
19 (.75)	F2-30-19	15.5 (.61)	<input type="checkbox"/>	<input type="checkbox"/>
20 (.79)	F2-30-20	16.5 (.65)	<input type="checkbox"/>	<input type="checkbox"/>
22 (.87)	F2-30-22	18.5 (.73)	<input type="checkbox"/>	<input type="checkbox"/>
25 (.98)	F2-30-25	21.5 (.85)	<input type="checkbox"/>	<input type="checkbox"/>