



H3 Swinghandle System

Medium / large · Sealed / non-sealed

- Zinc alloy swinghandle system
- Multiple locking options; including DIN profile
- Indoor/outdoor version
- Available for medium (125mm x 25mm) and large (150mm x 25mm) door cutout
- Linear and rotational systems available

Material and Finish

Handle: Zinc alloy, black powder coated or satin chrome plated
Cam: Steel, zinc plated

Performance Details

Maximum static load: 250 N (56 lbf)

Sealing Notes

Sealed version meets NEMA 4/IP66 water intrusion standards

Keys

See page 120

Notes

Key removal in unlocked position only available on non-sealed version

Product available to meet **TELCORDIA® GR-487** contact Southco for details

Electromechanical swinghandle available see pages 40-41

For single point and actuator plate system see pages 186-187

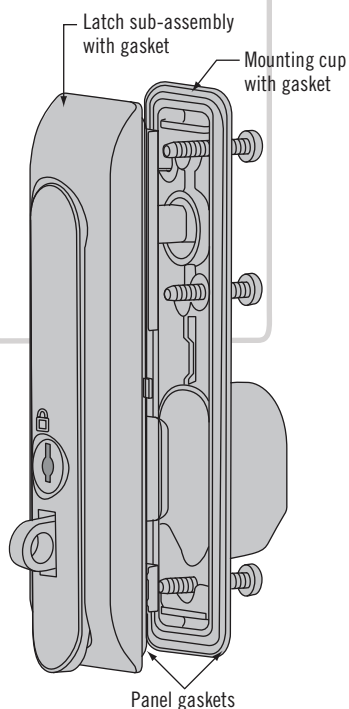
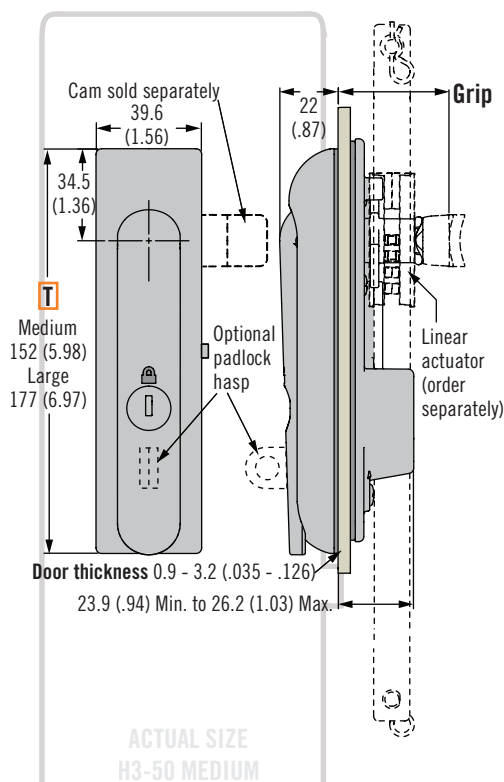
For dimension details of DIN lock version, please contact Southco

For plastic version see page 228.

TELCORDIA is a registered trademark of Telcordia Technologies Inc.

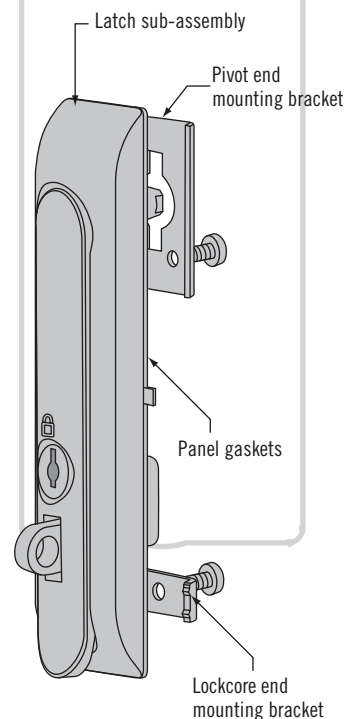
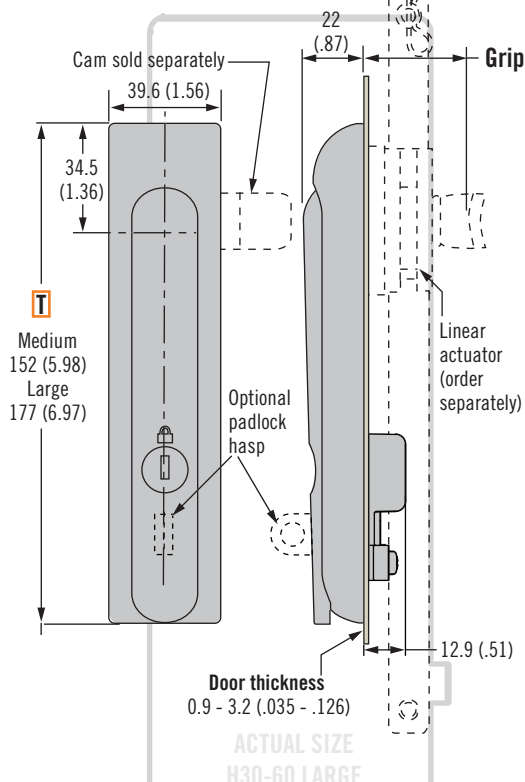
Sealed (H3-50 medium shown)

(Also available in large. See part number selection)



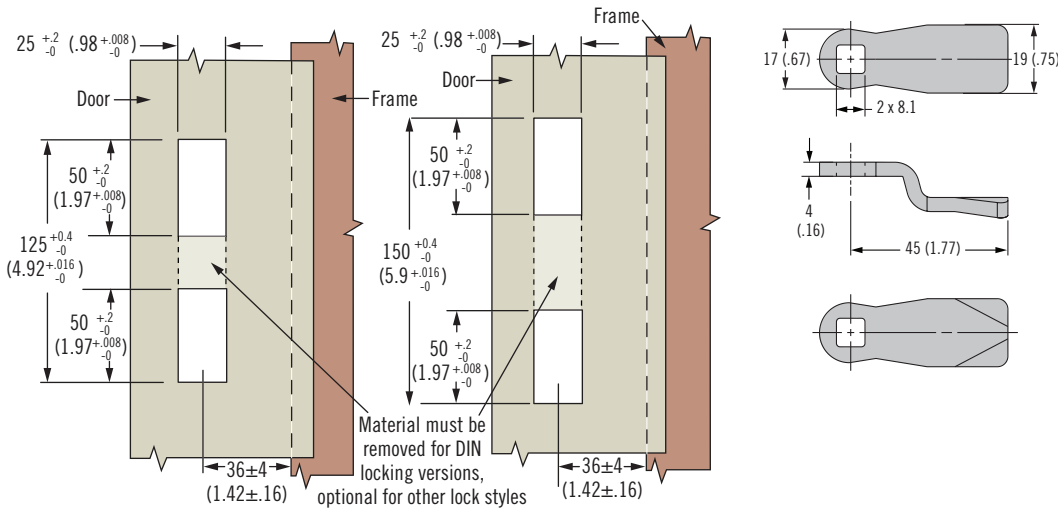
Non-Sealed (H3-60 large shown)

(Also available in medium. See part number selection)



Medium H3-50

Large H3-60



Part Number Selection

For single point:

Order latch and cam separately (see page 186-187)

For multi-point order:

Latch and cam (if 3 point latching required)

Linear actuator and rod adaptors (see page 226)

Rods (see pages 230-233)

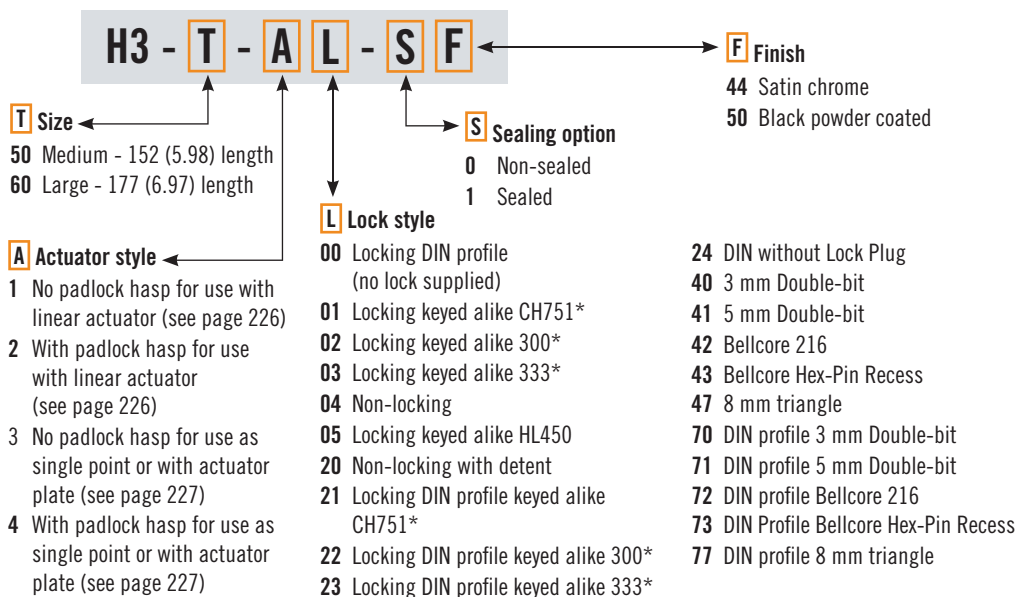
Rod guides (see pages 230-233)

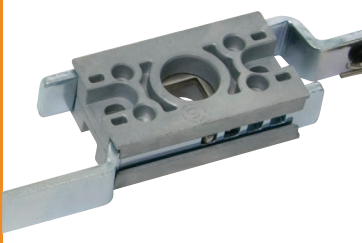
Note

*2 Overmolded keys supplied

Cam Part Number Table For Use With Linear Actuator Or Actuator Plate					
Grip With Linear Actuator	Grip With Actuator Plate	Part Number	Grip With Linear Actuator	Grip With Actuator Plate	Part Number
~	10.3 (.41)	E5-6107	36.9 (1.45)	26.3 (1.04)	E5-6115
~	12.3 (.48)	E5-6108	38.9 (1.53)	28.3 (1.11)	E5-6116
24.9 (.98)	14.3 (.56)	E5-6109	40.9 (1.61)	30.3 (1.19)	E5-6117
26.9 (1.06)	16.3 (.64)	E5-6110	42.9 (1.69)	32.3 (1.27)	E5-6118
28.9 (1.14)	18.3 (.72)	E5-6111	44.9 (1.76)	34.3 (1.35)	E5-6119
30.9 (1.22)	20.3 (.80)	E5-6112	46.9 (1.85)	36.3 (1.43)	E5-6120
32.9 (1.30)	22.3 (.88)	E5-6113	48.9 (1.93)	38.3 (1.51)	E5-6121
34.9 (1.37)	24.3 (.96)	E5-6114	50.9 (2.00)	40.3 (1.59)	E5-6122

Latch Part Number (no cam)





H3 Linear Actuator

Linear actuator and rod adaptor

- Linear actuator for H3 swinghandles
- Linear rod travel for limited space
- Suitable for left and right hand applications

Material and Finish

Zinc alloy and steel, zinc plated

To Select Linear actuator and Rod Adaptor:

For use with H3-50 and H3-60 swinghandles (see pages 224-225)
Order linear actuator and rod adaptors separately (1 actuator and 2 adaptors required per latch)

Accessories

Replacement rod adaptor retainer pin part number: H3-0-44778-01

Part Number

Linear actuator and rod adaptors see table

For multi-point order:

Latch (see pages 224-225)

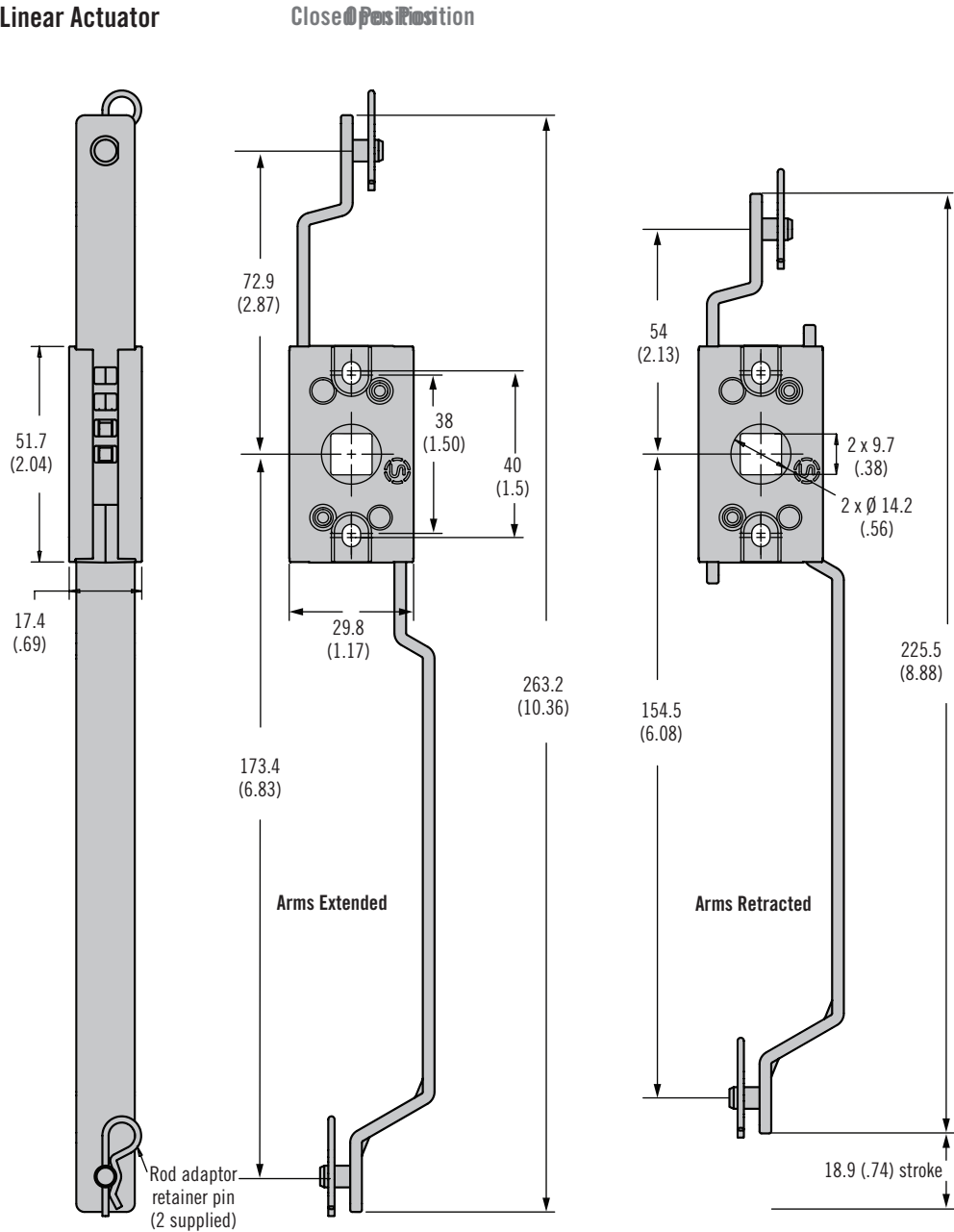
Cam (if 3 point latching required) (see page 225)

Linear actuator and rod adaptor (see table)

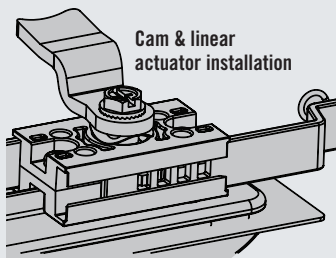
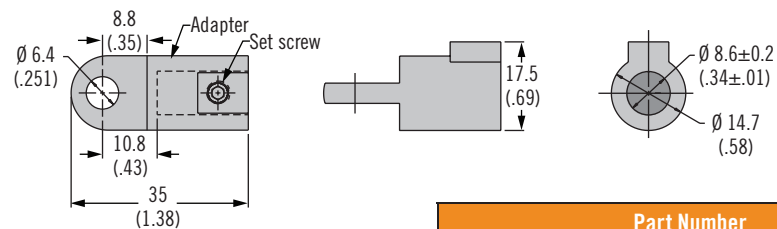
Rods (see pages 230-233)

Rod guides (if required) (see page 230)

Linear Actuator



Rod Adaptor



Part Number	
Linear actuator	H3-51-40
Rod adaptor	A5-92-201-31

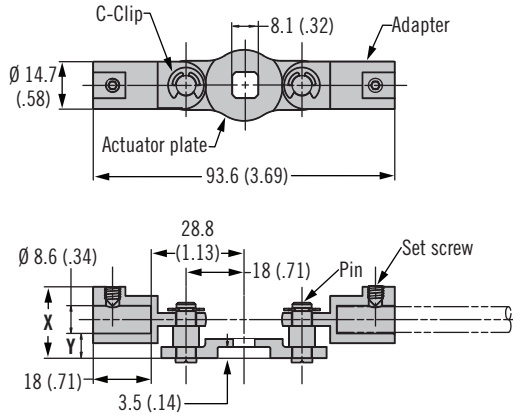
A5 Modular System

Actuator plates

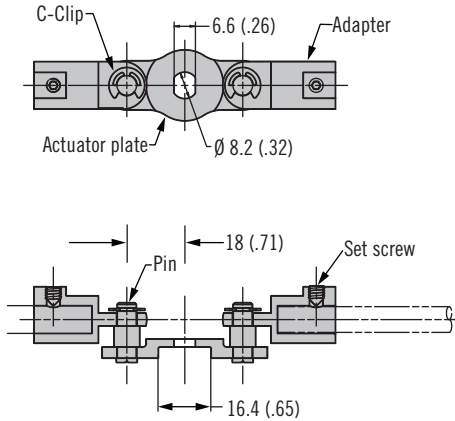


Actuator Plate

A5-90-101-11

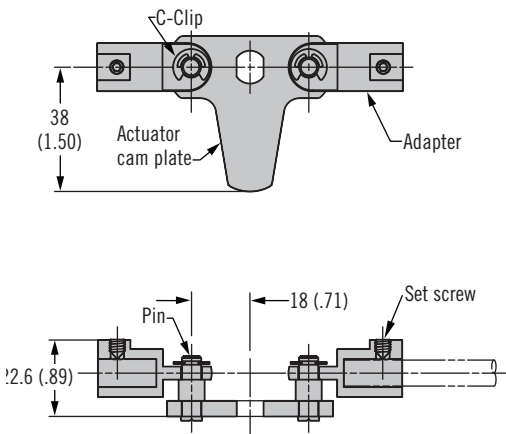


A5-90-301-11

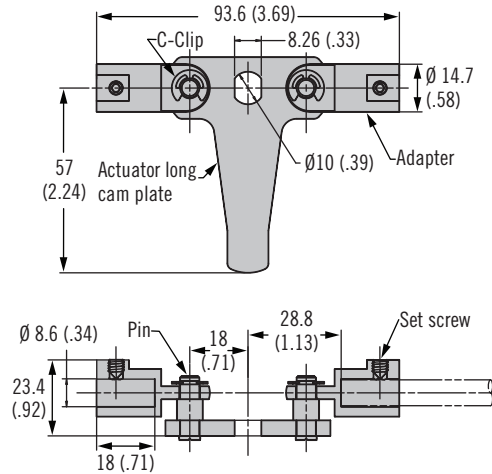


Part Number	X	Y
A5-90-101-11	22.2 (0.87)	4.7 (0.18)
A5-90-104-11	25.2 (0.99)	7.7 (0.30)
A5-90-401-11	22.6 (0.89)	5.1 (0.20)
A5-90-501-11	23.4 (0.92)	5.9 (0.23)

A5-90-401-11 (Short Cam)



A5-90-501-11 (Long Cam)



Actuator Plate Part Number						
Operating Latch Families						
	E5-5	E5-6	E5-9	H3-50	H3-60	62 Series M8 threaded shaft
	Page 152-168			Page 224-225		Page 133
Actuator Plate Part Number	A5-90-101-11			A5-90-301-11	A5-90-401-11	A5-90-501-11

- Modular actuators to suit multiple latch families using A5 modular rods

Material and Finish

Zinc alloy, steel, zinc plated and stainless steel set screw

To Select Correct Actuator:

1. Choose actuator plate to match latch family (one per latch required)
2. Order rods and rod guides from page 230

Part Number

Actuator plate see table

Rods (see page 230)

Rod guides (see page 230)



H3 Swinghandle System

Plastic · Large · Non-sealed

- Lightweight Glass filled nylon swinghandle system UL94-V0 rated
- DIN profile locking options
- Push or turn to close versions available

Material and Finish

Handle: Glass filled nylon
Cam: Steel, zinc plated

Performance Details

Max. static load: 250 N (56 lbf)

Keys

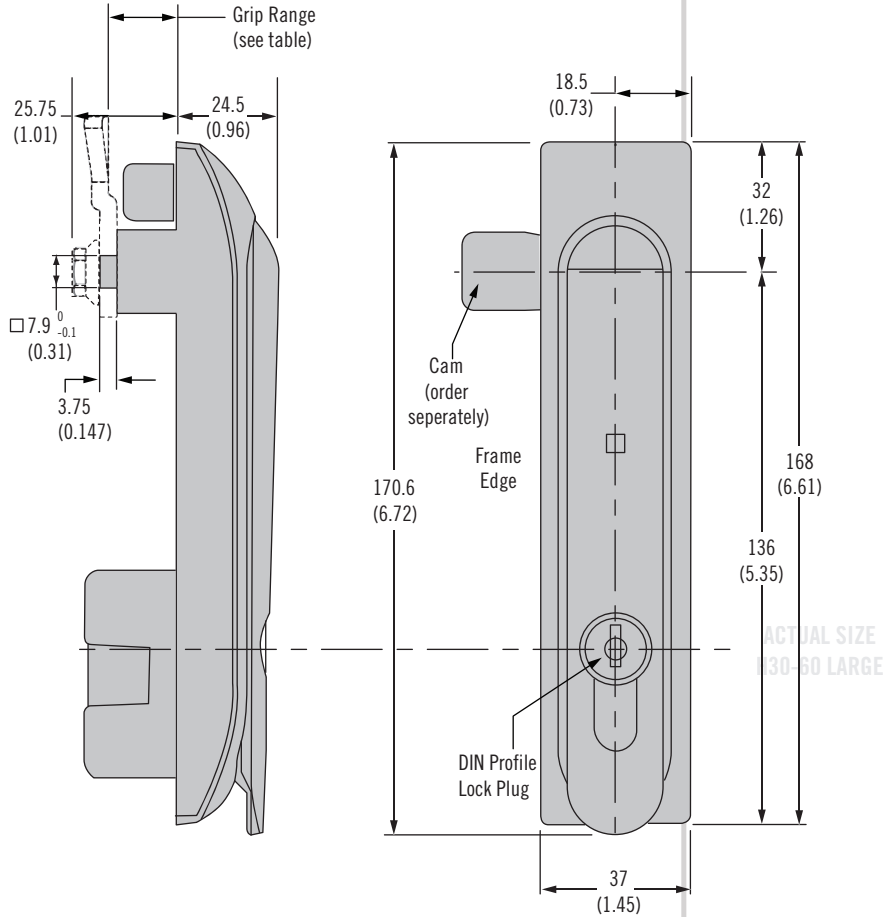
See page 120

Notes

Electromechanical swinghandle available see pages 40-41

For metal version visit pages 186-187 and 224-225

H3 Plastic Swinghandle



Part Number Selection

For single point:
Order latch and cam separately

For multi-point order:
Latch and cam
Linear actuator and rod adaptors
Rods
Rod guides

Note

*2 keys supplied

Latch Part Number (no cam)

T Style

- 65 Push to close handle
- 66 Turn to close handle

L Lock style

- 00 Locking DIN profile (no lock supplied)
- 21 Locking DIN profile keyed alike CH751*
- 22 Locking DIN profile keyed alike 300*
- 23 Locking DIN profile keyed alike 333*
- 70 DIN profile 3 mm Double-bit
- 71 DIN profile 5 mm Double-bit
- 72 DIN profile Bellcore 216
- 73 DIN Profile Bellcore Hex-Pin Recess
- 77 DIN profile 8 mm triangle

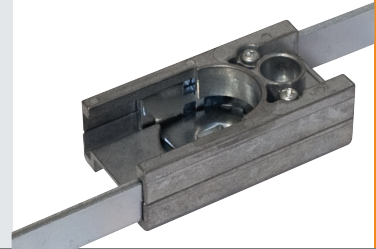
H3 - T - 5 L - 071

Cam Part Number Table

Grip	Part Number (length = 38mm)	Part Number (length = 45mm)
15.5 (.61)	E5-6710	E5-6110
17.5 (.69)	E5-6711	E5-6111
19.5 (.77)	E5-6712	E5-6112
21.5 (.85)	E5-6713	E5-6113
23.5 (.93)	E5-6714	E5-6114
OTHER	Please contact Southco	

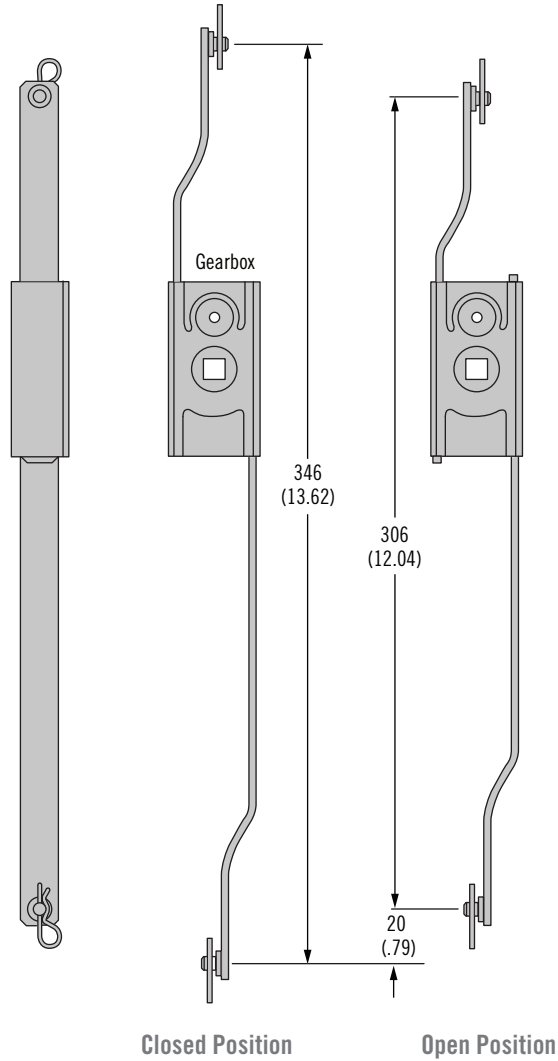
H3 Linear Actuators

Linear actuators and rod adaptor for plastic H3 swinghandle system

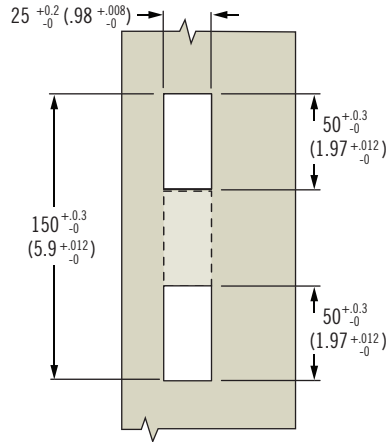


Linear Actuator

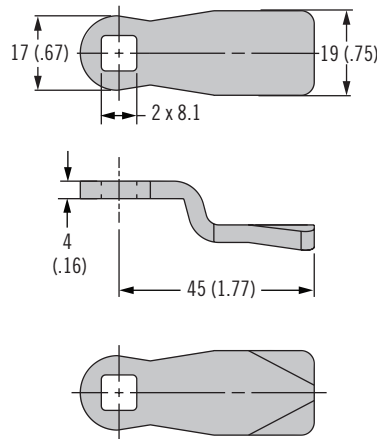
(Right Hand Mounting shown)



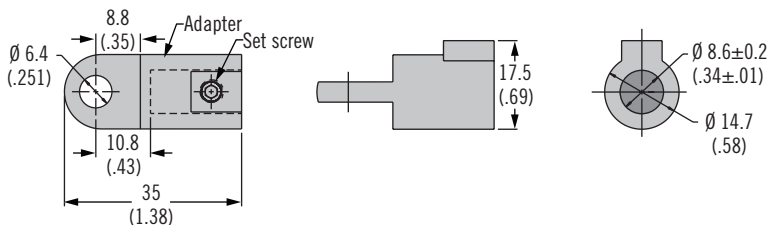
Panel Preparation



Cam



Rod Adaptor



- Linear actuator for Plastic H3 swinghandles
- Linear rod travel for limited space
- Suitable for left and right hand applications
- Left and Right hand Actuators can be disassembled and reassembled in the opposite hand if required

Material and Finish

Zinc alloy and steel, zinc plated

To Select Linear actuator and Rod Adaptor:

For use with H3-65 and H3-66 swinghandles. Order linear actuator and rod adaptors separately (1 actuator and 2 adaptors required per latch)

Accessories

Replacement rod adaptor retainer pin part number: H3-0-44778-01

Part Number

Linear actuator and rod adaptors see table

For multi-point order: Latch Cam (if 3 point latching required) Linear actuator and rod adaptor (see table)

Rods, Rod guides

Part Number	
Linear actuator right hand mounting	H3-61-56-33
Linear actuator left hand mounting	H3-61-55-33
Rod adaptor	A5-92-201-31



A5 Modular System

Rods and rod guides

• Modular rod and rod guides

Material and Finish

Rods: Aluminum or steel, zinc plated
 Rod rollers: Glass-filled nylon, black
 Rod guides: Glass-filled nylon, black with steel, zinc plated hardware

To Select Correct Assembly:

1. Choose actuator plate to match latch family or linear actuator and 2 adaptors. See drawing J-A5-F30 for rod type and latch family compatibility.
2. Order rod guides (2 per assembly). Fixed rod guide recommended for fixed point rod. Adjustable rod guide recommended for rod roller assembly.

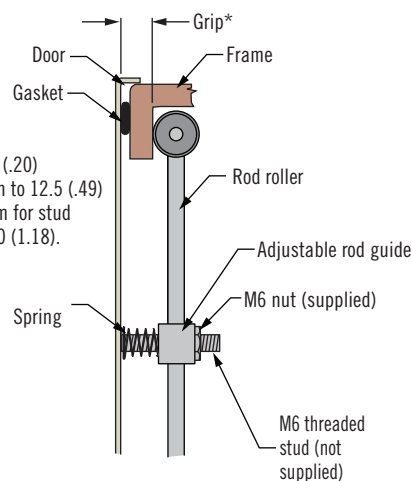
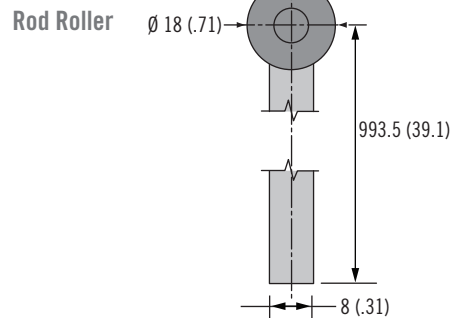
3. Order rods (2 per assembly)

Part Number

Order rod and rod guide separately see tables

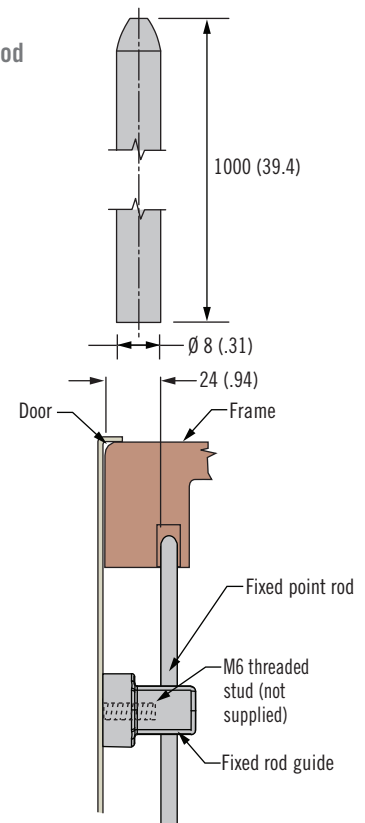
Other rod lengths available. Please contact Southco

Rods



* Grip is 5 (.20) minimum to 12.5 (.49) maximum for stud length 30 (1.18).

Fixed Point Rod

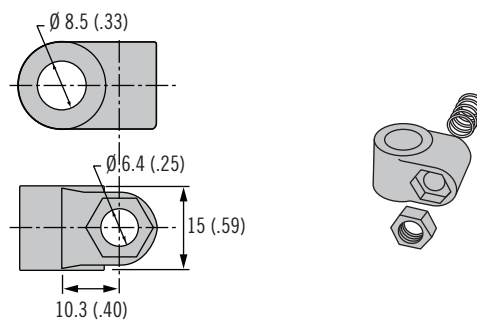


Material	Fixed Point Rod Part Number
Aluminum	A5-55-1000-10
Steel	A5-55-1000-11

Material	Fixed Point Rod Part Number
Aluminum	A5-55-1000-10
Steel	A5-55-1000-11

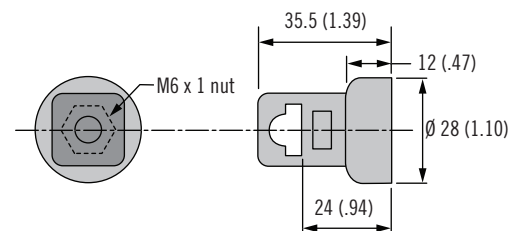
Rod Guides

Adjustable



Adjustable Rod Guide Part Number (includes 2 rod guides, 2 springs and 2 M6 nuts)
A5-87-401

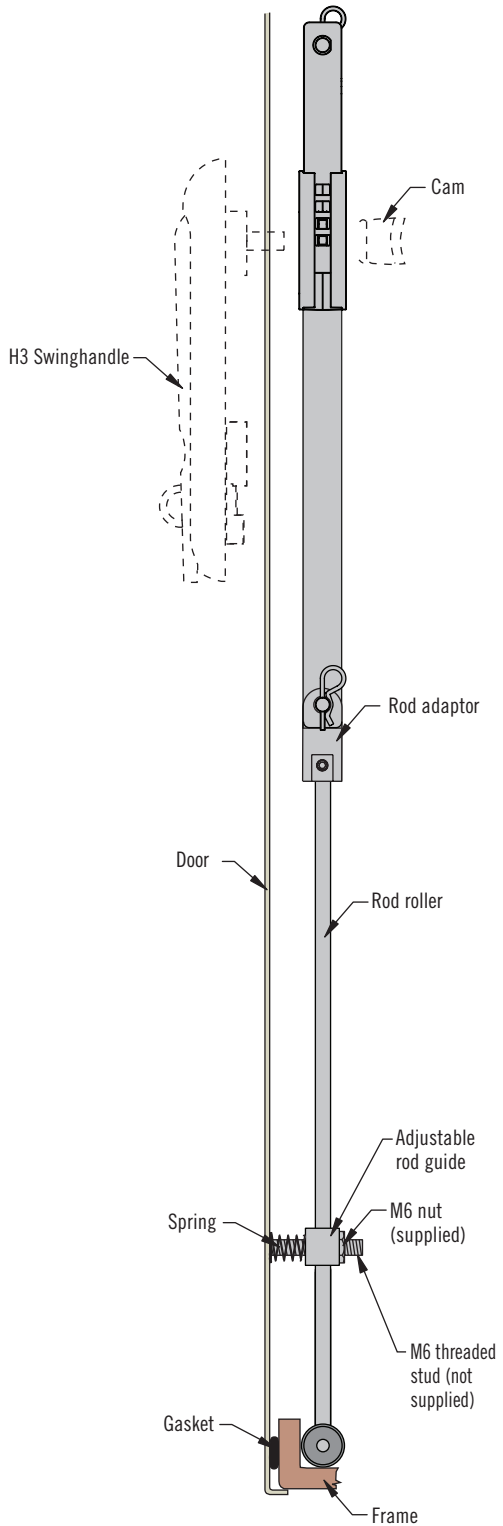
Fixed



Fixed Rod Guide Part Number (one piece supplied)
A5-81-301-71

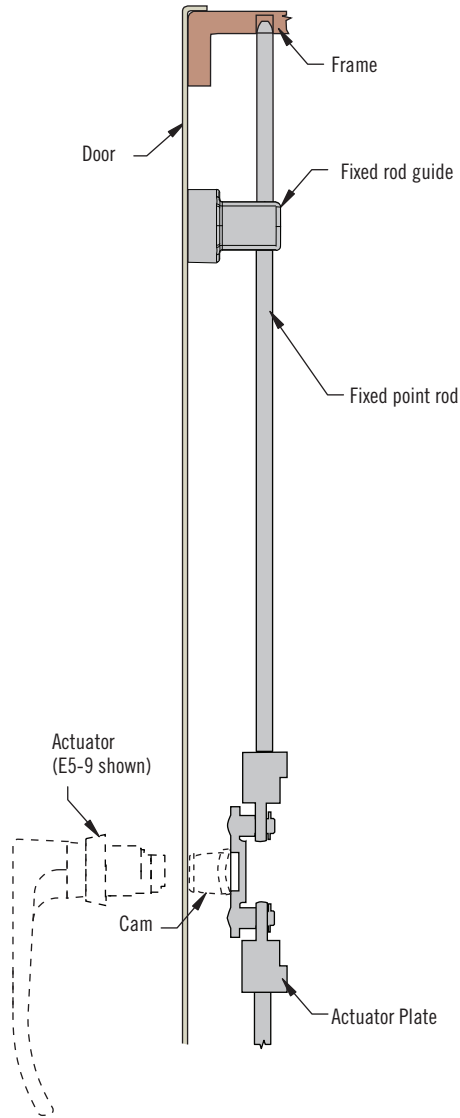
Linear Actuator Assembly

(adjustable with rod roller shown)



Actuator Plate Assembly

(fixed point shown)



Notes

Modular system allows for any configuration of rod and rod guides

