



# M4 Modular Handle System

## System Overview

- Designed for insulated doors up to 100mm (4in) thick
- Suitable for pressurized systems
- Highly adjustable and tolerant to dimensional variation
- Provides up to 2mm of compression
- Configurable as a single latch or a multipoint system

### Notes

A single point latch requires Handle, Handle shaft and Cam Latch. Multipoint systems require at least one Handle and Handle Shaft, Remote Shafts and Remote Covers for additional latch point, a Multipoint Rod and Remote Cam Latches for ALL latch points. Emergency Release Handle and Secondary Catch options also available.

Order each component separately



### Specifying an M4 system:

1. Select Handle (P233B) Multiple security options available
2. Select Shaft (p233C & p233E). Handle Shaft and Remote Shaft options
3. Select Cam Latch (p233C & p233F). Cam Latch and Multipoint Cam Latch options
4. Include Remote Covers p233E) and a Multipoint Rod (p233G) for multipoint systems
5. Select optional accessories (p233D)

See Trade drawing for additional details.

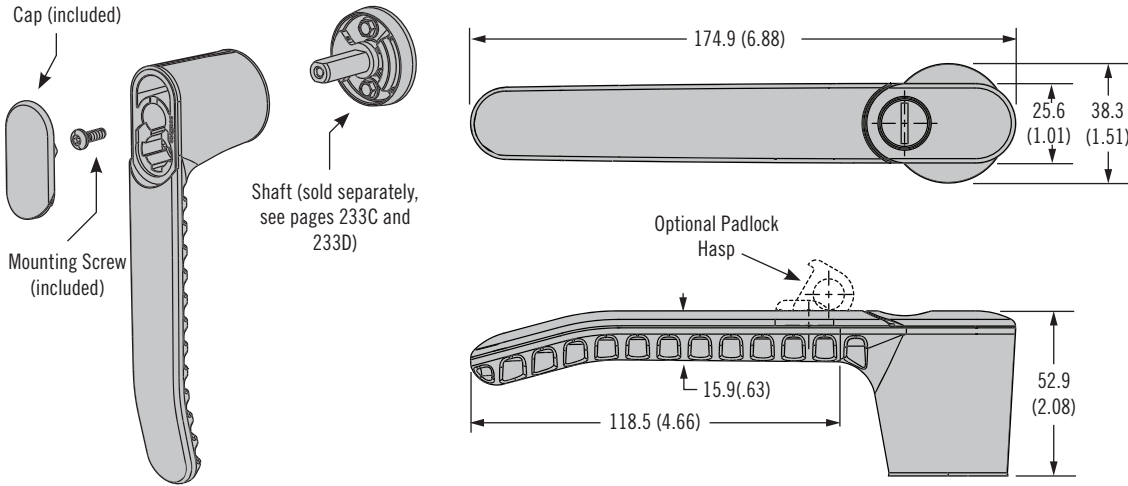
# M4 Modular Handle System

## Handles

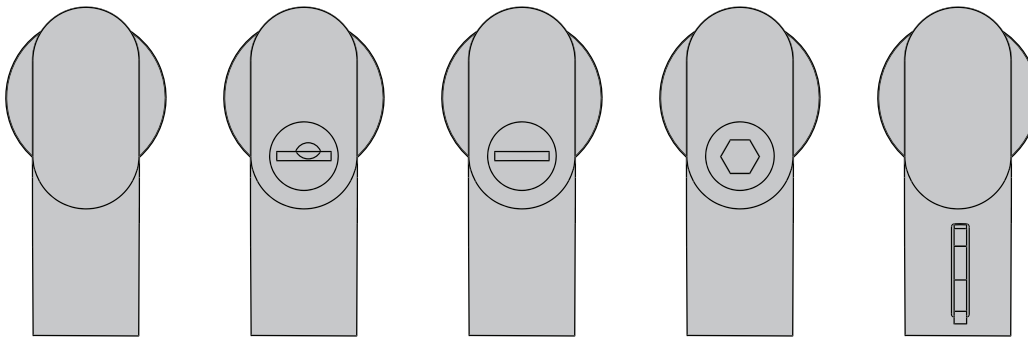


233B

### Installation



### Available Lock Styles



Non-Locking

Key-Locking  
Key Code CH751  
Supplied with 2 Keys

Slotted

8mm Hex

Padlocking

Part Number	
Non-Locking	M4-10-123-20
Key-Locking	M4-10-131-20
Slotted	M4-10-100-20
8mm Hex	M4-10-101-20
Padlocking	M4-10-223-20

- Easy actuation even with gloved hands
- Minimizes heat transfer through door
- Removable for transport

### Material and Finish

Handle, Cap: Glass-filled nylon, black  
Lock Plate, Hasp, Screw: Steel  
Lock Plug, Cam, Pin: Die cast zinc

### Performance Details

Max. Static Load: XXX N (XX lbf) per latch point

### Notes

Use with M4 Handle Shafts (pg 233C). Secure Handle to Handle Shaft with screw provided and press in the Cap. Cap is removeable when handle is unlocked. Only one Handle is required for multipoint systems.

### Part Number

See table



# M4 Modular Handle System

## Handle Shaft and Cam Latch

- Accommodates wide tolerances in door thickness
- Modular design protects door integrity
- Provides up to 2mm of compression

### Material and Finish

Shaft: Steel, glass-filled nylon, black  
 Cam Latch Hardware: Glass-filled nylon, steel, acetal

### Performance Details

Max. Static Load: XXX N (XX lbf)

### Sealing Notes

NEMA 4 / IP65

### Installation Notes

Attach using M4 or #8 hardware (not supplied). Self tapping screws (not supplied) may be used in sheet metal thicknesses from 0.6 to 2mm (0.02 - 0.08). Adjust roller cam location using jam nuts until proper gasket compression is achieved.

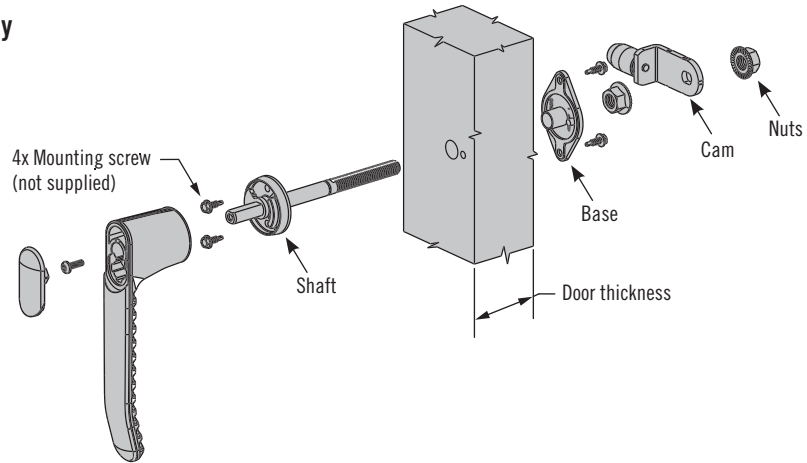
### Notes

For use with M4 handles (pg 233B) and optional accessories (pg 233D). Order shaft, cam latch hardware, handle, and accessories separately. Use one shaft and one set of cam latch hardware per latch point

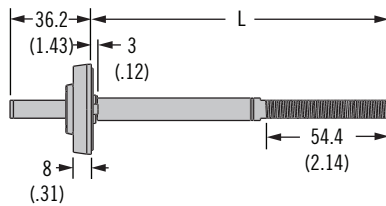
### Part Number

See table  
 Order shaft and latch hardware separately

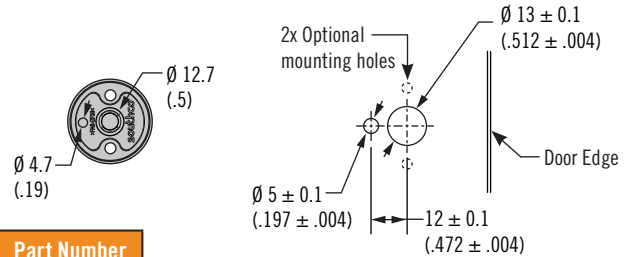
### Assembly



### Handle Shaft

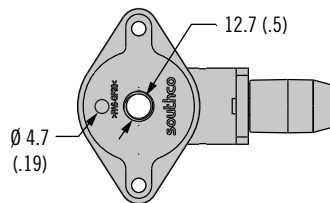
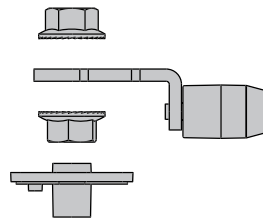


### Panel Preparation (viewed from outside of door)



Door Thickness +/- 6.4 (0.25)	L	Part Number
25 (1)	81.8 (3.22)	M4-20-125-20
38 (1.5)	94.8 (3.73)	M4-20-138-20
50 (2)	107.2 (4.22)	M4-20-150-20
63 (2.5)	120.2 (4.73)	M4-20-163-20
76 (3)	132.6 (5.22)	M4-20-176-20
89 (3.5)	145.6 (5.73)	M4-20-189-20
102 (4)	158 (6.22)	M4-20-1102-20

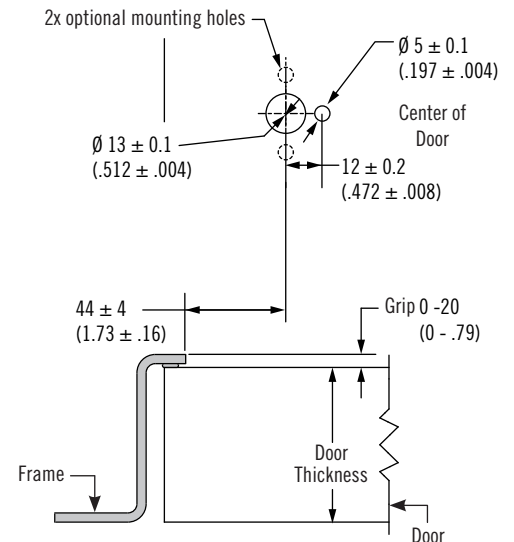
### Cam Latch Hardware



### Part Number

M4-30-100

### Panel Preparation (viewed from inside of door)



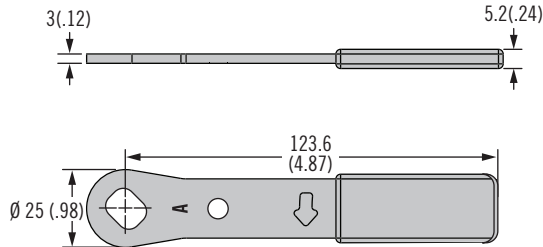
# M4 Modular Handle System

## Accessories



233D

### Emergency Release Handle



#### Part Number

M4-50-1101-12

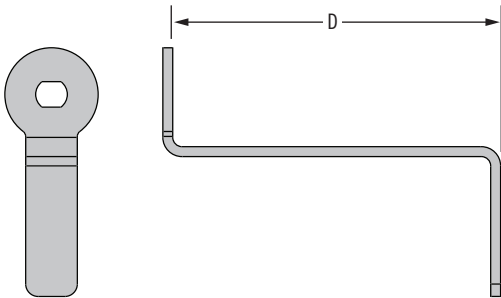
### Material and Finish

Steel, plastic

### Notes

Emergency release handles allow latches to be opened from inside the enclosure. Can latches and remote Cam Latches (pg 233C and 233D)

### Pressure Release Bracket



M4 - 50 - 130 **V** - 12

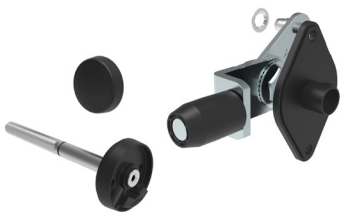
V	Dimension D	Min Door Width (Hinge to frame edge)
1	62.8 (2.86)	457 (18.0)
2	79.2 (3.12)	560 (22.0)
3	86.2 (3.39)	660 (36.0)
4	105.5 (4.15)	867 (34.5)

### Material and Finish

Steel

### Notes

Pressure release brackets prevent doors from being fully opened until pressure inside of the enclosure is safely released. To be used with M4 Handle Shaft and Cam Latch.



# M4 Modular Handle System

## Remote Shaft and Cover

- System provides up to 4 latching points
- Accommodates wide tolerances in door thickness
- Modular design protects door integrity
- Provides up to 2mm of compression

### Material and Finish

Shaft: Steel, glass-filled nylon, black  
Cam Latch Hardware: Glass-filled nylon, steel, acetal

### Performance Details

Max. Static Load: XXX N (XX lbf)

### Sealing Notes

NEMA 4 / IP65

### Installation Notes

Attach using M4 or #8 hardware (not supplied). Self tapping screws (not supplied) may be used in sheet metal thicknesses from 0.6 to 2mm (0.02 - 0.08).

Adjust roller cam location using jam nuts until proper gasket compression is achieved.

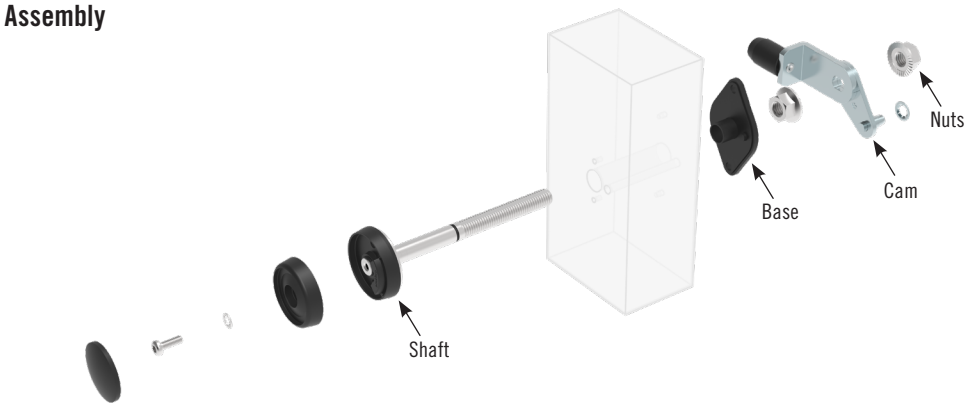
### Notes

For use with M4 Handles (pg233B), M4 Multipoint Cam Latches (pg223F) and M4 Multipoint Rods (pg233G) and optional Accessories (pg233D) Order Handles, Shafts, Multipoint Latches, Covers and Accessories separately.

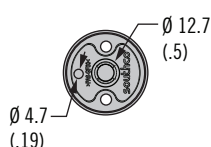
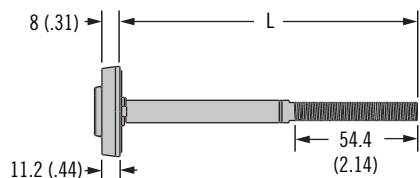
### Part Number

See table  
Order shaft and latch hardware separately

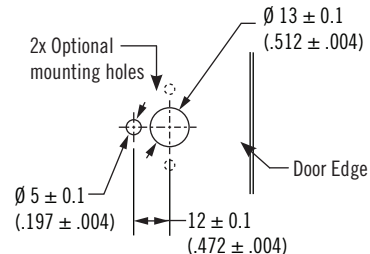
### Assembly



### Remote Shaft

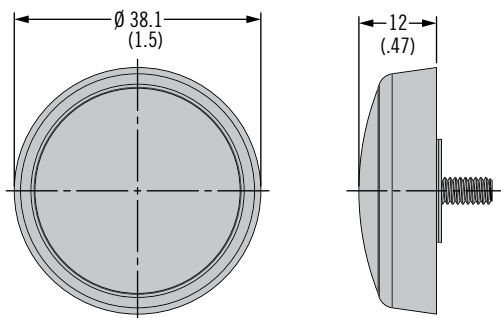


### Panel Preparation (viewed from outside of door)



Door Thickness +/- 6.4 (0.25)	L	Part Number
25 (1)	81.8 (3.22)	M4-20-125-20
38 (1.5)	94.8 (3.73)	M4-20-138-20
50 (2)	107.2 (4.22)	M4-20-150-20
63 (2.5)	120.2 (4.73)	M4-20-163-20
76 (3)	132.6 (5.22)	M4-20-176-20
89 (3.5)	145.6 (5.73)	M4-20-189-20
102 (4)	158 (6.22)	M4-20-1102-20

### Remote Shaft Cover



### Part Number

M4-10-323-20

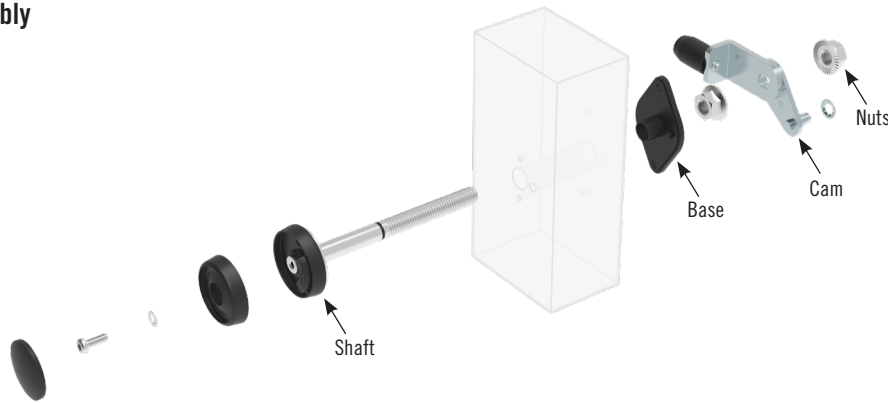
# M4 Modular Handle System

## Multipoint Cam Latches

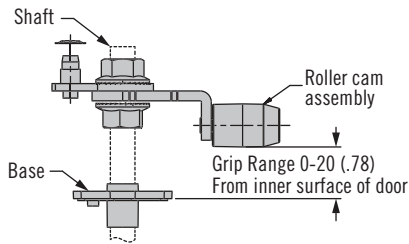
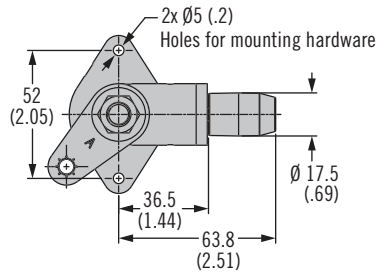


233F

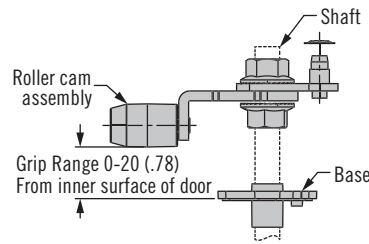
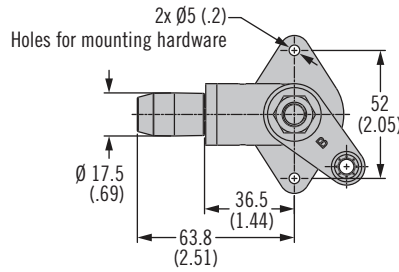
### Assembly



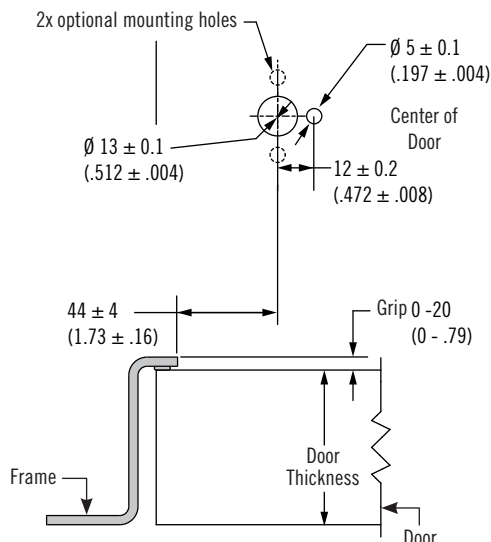
### Multipoint Cam Latch – Type A



### Multipoint Cam Latch – Type B



### Panel Preparation (viewed from inside of door)



- System provides up to 4 latching points
- Accommodates wide tolerances in door thickness
- Modular design protects door integrity
- Provides up to 2mm of compression

### Material and Finish

Shaft: Steel, glass-filled nylon, black  
Cam Latch Hardware: Glass-filled nylon, steel, acetal

### Performance Details

Max. Static Load: XXX N (XX lbf)

### Sealing Notes

NEMA 4 / IP65

### Installation Notes

Attach using M4 or #8 hardware (not supplied). Self tapping screws (not supplied) may be used in sheet metal thicknesses from 0.6 to 2mm (.02 - .08). Adjust roller cam location using jam nuts until proper gasket compression is achieved.

### Notes

For use with M4 Handles (pg233B), M4 Multipoint Cam Latches (pg223F) and M4 Multipoint Rods (pg233G) and optional Accessories (pg233D) Order Handles, Shafts, Multipoint Latches, Covers and Accessories separately.

### Part Number

See table

External Handle Rotation:

Clockwise to close use Type A

Counter-clockwise to close use Type B

Multipoint Cam Latch	Part Number
Type A	M4-30-120
Type B	M4-30-130



# M4 Modular Handle System

## Multipoint Rods

- Multiple lengths and latching point locations
- Adjustable to accommodate tolerance variation

### Material and Finish

Rod: Aluminum

Plate Screw: Steel

### Installation Notes

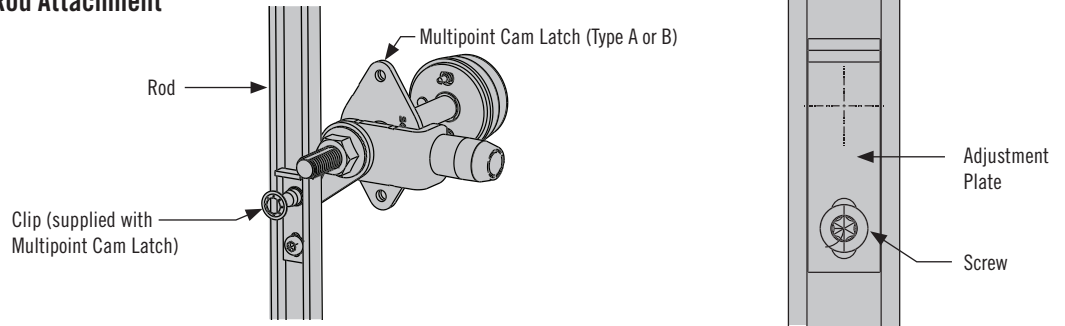
A system consists of: one Multipoint Rod, a Handle and Handle Shaft (pg223B & 223C) for actuation, and Remote Shaft Covers and Remote Shafts (pg233E) for each additional latch point. Multipoint Cam Latches (pg223F) are used at ALL latch points. Optional accessories available (pg233D).

### Part Number

See table

Order shaft and latch hardware separately

### Rod Attachment



Rod Length	Part Number						
	M4-40-062-10	M4-40-092-11	M4-40-122-11	M4-40-152-11	M4-40-152-21	M4-40-182-11	M4-40-182-21
649.6 (25.6)	●	●	●	●	●	●	●
954.4 (37.6)	●	●	●	●	●	●	●
1260 (49.6)			●		●		
1564 (61.6)				●	●		
1868.8 (73.6)						●	●
<b>Distance Between Actuation Points</b>	609.6 (24)	457.2 (18)	610 (24)	762 (30)	508 (20)	914.4 (36)	609.6 (24)

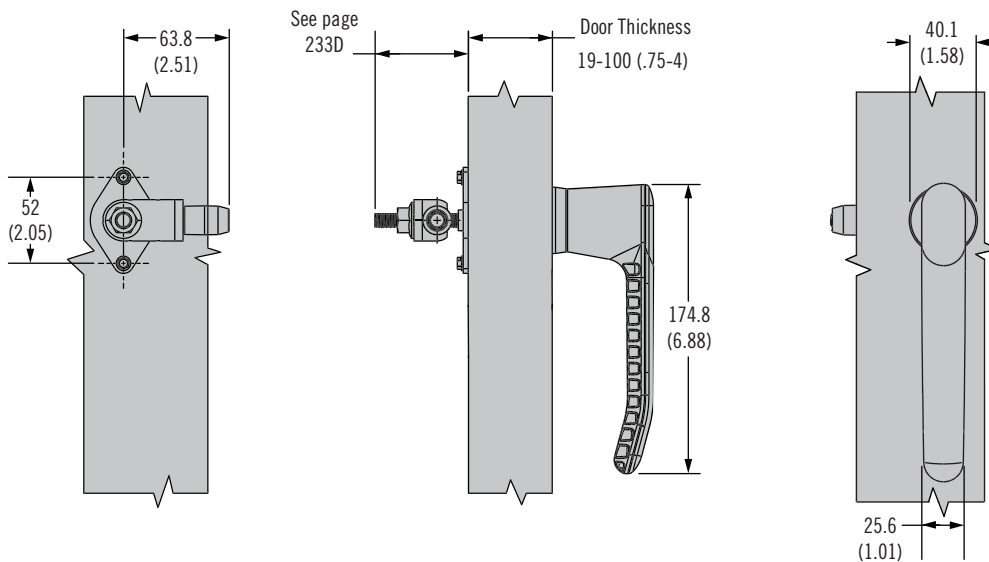
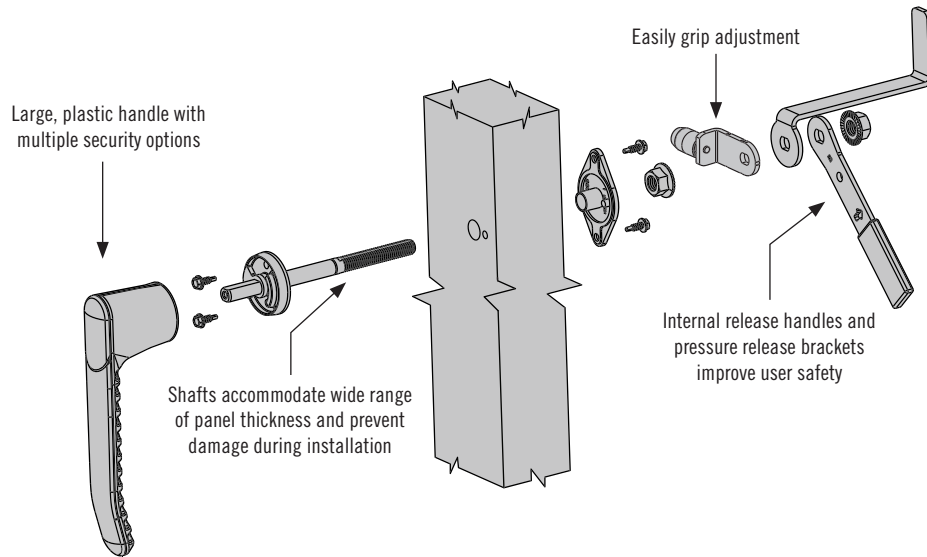
● Actuator Connection    ● Actuator Connection with Adjustment Plate

# M4 Cam Latch

## Hand-Operated • Adjustable Grip



175A



- Designed for doors up to 100mm (4in) thick or pressurized systems
- Safe, simple, secure latching
- Plastic handle minimizes heat transfer
- Provides up to 2mm of compression

### Performance Details

Max. static load: XXX N (XX lbf)

### Sealing Notes

NEMA 4 / IP65

### Notes

See pages 233A through 233E or [southco.com/M4](http://southco.com/M4) for more details. Complete system consists of handle, shaft, latch, internal release handle (optional), and pressure release bracket (optional). Order each component separately. Latch can also be used in multi-point configuration. See pages 233A – 233F for additional details.

### Part Number

See pages 233A-233E

### Specifying an M4 Cam Latch:

All components must be ordered separately

1. Select handle (pg 233B) - Multiple security options available
2. Select shaft length based on door thickness (pg 233C)
3. Order cam latch hardware (pg 233C) - Part Number: M4-30-100
4. Select optional accessories (pg 233D)

See trade drawing for additional information