



ME Offshore Swing Door Latch

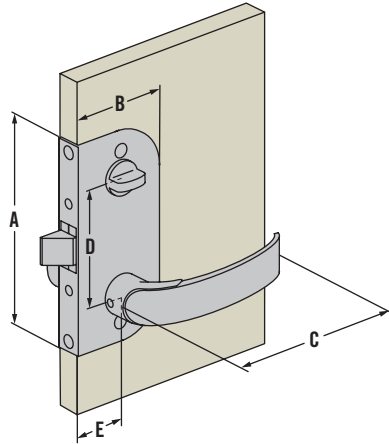
Flush, key locking and privacy

- Offshore is available for both mortise- and flush-mount installations.
- All marine-grade materials for corrosion resistance
- Offshore flush-mount is designed to fit thinner doors (from 12.7mm / 1/2")
- Interior Privacy Lock with exterior override

Material and Finish

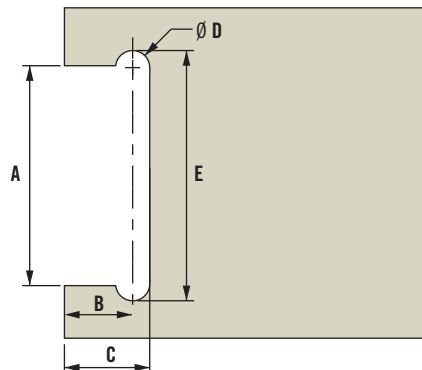
Lock engine: Aluminum
 Handles, escutcheons finish: chrome, aluminum and black
 Privacy: Acetal

Flush Privacy Locking



	Imperial		Metric
	Nominal	Decimal	
A	4 37/64	4.59	116.5
B	2 5/32	2.17	55
C	3 15/16	3.94	100
D	2 7/16	2.44	62
E	1 3/16	1.18	30

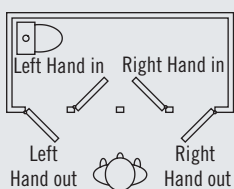
Panel Preparation



	Imperial		Metric
	Nominal	Decimal	
A	3 21/32	3.65	93
B	1 3/32	1.09	28
C	1 21/32	1.65	42
D	1 3/32	1.09	28
E	4 1/32	4.00	102

Part Number Selection

D Directional Door Swing:



ME - 01 - **D** **L** **T** - **FF**

- D** Directional
- 2 Right Out
 - 3 Right In
 - 4 Left Out
 - 5 Left In

- L** Locking Option
- 0 Privacy
 - 1 Key Locking

- FF** Finish
- 10 Chrome
 - 50 Black
 - 60 Aluminum

- T** Door Thickness
- 0 12.5 - 15mm (1/2" - 5/8")
 - 1 14.5 - 17mm (9/16" - 11/16")
 - 2 17 - 19mm (11/16" - 3/4")
 - 3 19 - 21mm (3/4" - 7/8")

For strikers see page 615

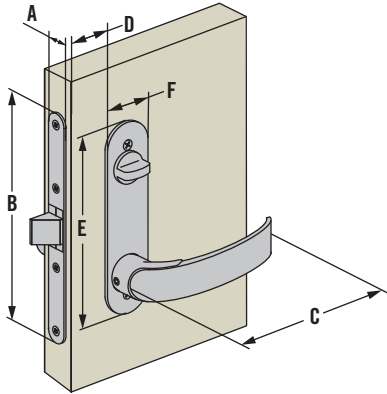


ME Offshore Swing Door Latch

Mortise locking



Mortise Privacy Locking



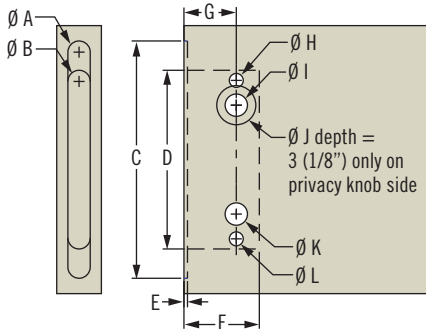
	Imperial		Metric
	Nominal	Decimal	
A	31/64	.492	12.5
B	5 5/16	5.31	135
C	3 15/16	3.94	100
D	39/64	.61	15.5
E	4 37/64	4.59	116
F	1 3/16	1.18	30

- All marine-grade materials for corrosion resistance
- Mortise mount installation
- Interior privacy lock with exterior override

Material and Finish

Lock engine: Aluminum
 Handles, escutcheons finish: chrome, aluminum and black
 Privacy: Acetal

Panel Preparation



	Imperial		Metric
	Nominal	Decimal	
A	1/2	.50	12.5
B	1/2	.50	12.5
C	5 5/16	5.31	135
D	4	4	102
E	1/16	.06	1.5
F	1 11/16	1.69	43
G	1 11/64	1.17	30
H	5/16	.31	8
I	1/2	.50	12
J	7/8	.88	22
K	1/2	.50	12
L	5/16	.31	8

Part Number Selection

ME - 02 - D L T - FF

D Directional

- 2 Right Out
- 3 Right In
- 4 Left Out
- 5 Left In

L Locking Option

- 0 Privacy
- 1 Key Locking

FF Finish

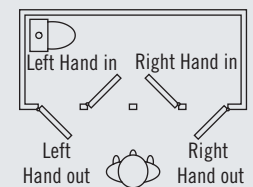
- 10 Chrome
- 50 Black
- 60 Aluminum

T Door Thickness

- 4 18-22mm (11/16" - 7/8")
- 5 22-27mm (7/8" - 1 1/16")
- 6 27-32mm (1 1/6" - 1 1/4")
- 7 32-37mm (1 1/4" - 1 1/2")

For strikers see page 615

D Directional Door Swing:





ME Offshore Swing Door Latch

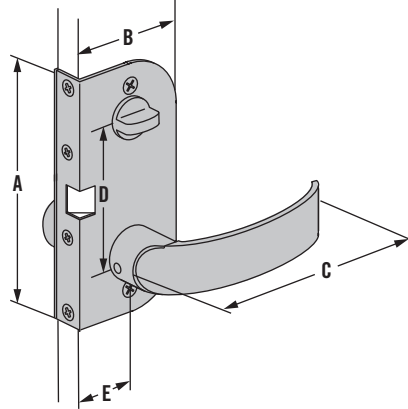
Curved locking

- All marine-grade materials for corrosion resistance
- Flush mount installations
- Interior privacy lock with exterior override

Material and Finish

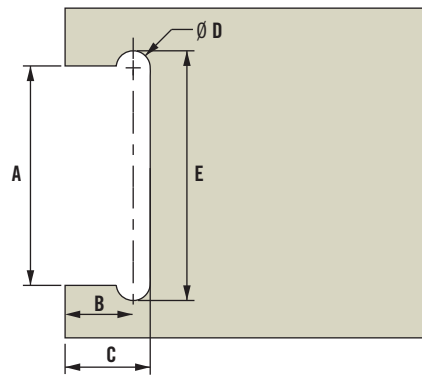
Lock engine: Aluminum
 Handles, escutcheons finish: chrome, aluminum and black
 Privacy: Acetal

Flush Curved Offshore



	Imperial		Metric
	Nominal	Decimal	
A	4 37/64	4.589	116.5
B	2 5/32	2.17	55
C	3 15/16	3.94	100
D	2 7/16	2.44	62
E	1 3/16	1.18	30

Panel Preparation



	Imperial		Metric
	Nominal	Decimal	
A	3 21/32	3.65	93
B	1 3/32	1.09	28
C	1 21/32	1.65	42
D	1 3/32	1.09	28
E	4 1/32	4.00	102

Part Number Selection

ME - 03 - D L T - FF

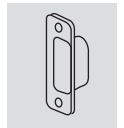
D Directional
 6 Right Out/Left In
 7 Left Out/Right In

FF Finish
 10 Chrome
 60 Aluminum

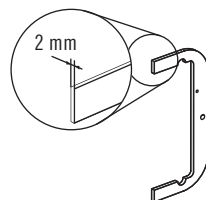
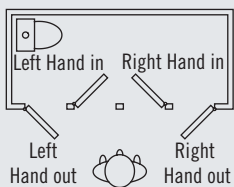
L Locking Option
 0 Privacy
 1 Key Locking

T Door Thickness
 For thinner doors please add below spacer
 1 12.7mm (1/2")
 2 19mm (3/4")
 3 25.4mm (1")

For strikers see page 615

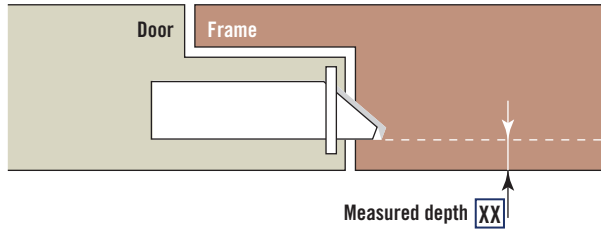
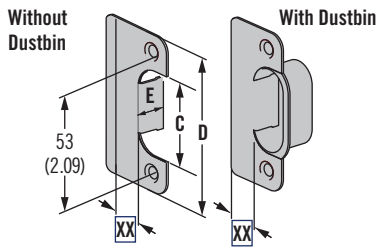


D Directional Door Swing:



Spacer Part Number	
Chrome, 2 mm (5/64")	ME-R8362

MC Striker



To find the right striker for your application, measure the distance from the door face to the edge of the springbolt of the latch.

C		D		E	
Metric	Imperial	Metric	Imperial	Metric	Imperial
36	1 7/16	68	2 11/16	13	1/2

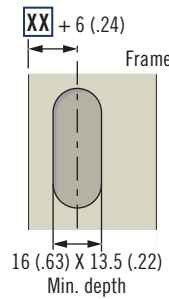
Part Number Selection

MC - 90 - Z XX - FF

Z Dustbin Option
 1 No Dustbin
 2 With Dustbin

XX Position
 03 3mm (7/64") 13 13mm (1/2")
 05 5mm (3/16") 16 16mm (5/8")
 07 7mm (1/4") 21 21mm (7/8")
 09 9mm (3/8")

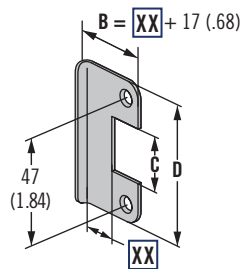
FF Finish
 10 Brass, nickel plated
 24 Stainless steel



- Available in seven different sizes
- Suitable for Offshore, McCoy, Compact, and Omni swing door latches and many door and frame configurations and door thicknesses
- Striker tongue prevents wear from boat vibration
- Optional dustbin hides sawdust in the cut out hole and provides an elegant finish to the frame edge

www.southco.com/MC

MC Whale Striker



C		D	
Metric	Imperial	Metric	Imperial
60	2 3/8	22	7/8

Part Number Selection

MC - 90 - 3 - XX - FF

XX Position
 03 3mm (7/64") 13 13mm (1/2")
 05 5mm (3/16") 16 16mm (5/8")
 07 7mm (1/4") 21 21mm (7/8")
 09 9mm (3/8")

FF Finish
 10 Brass, nickel plated

- Suitable for Offshore, McCoy and Compact swing door latches.
- Quick and easy installation