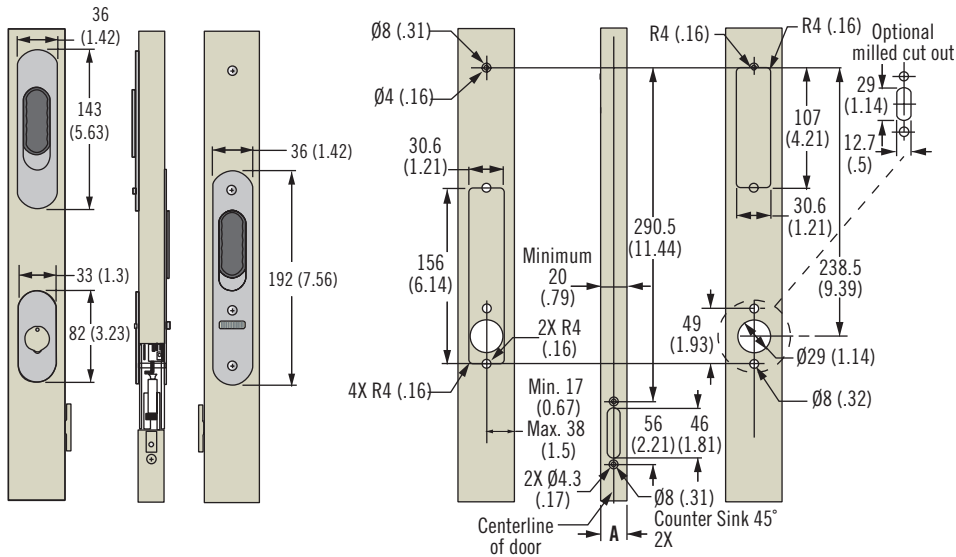


# MM Talon Sliding Entry Door Latch

## Flush style, star and standard

### Panel Preparation



Star Part Numbers		Door Thickness (A)			
Finish	Style	20.5 (0.81) - 23 (0.91)	23 (0.91) - 28.5 (1.12)	28.5 (1.12) - 33.5 (1.32)	33.5 (1.32) - 38 (1.50)
		Chrome	Standard	MM-01-130-10	MM-01-131-10
Standard Top Stop feature	MM-01-430-10		MM-01-431-10	MM-01-432-10	MM-01-433-10
Black Powder Coated	Standard	MM-01-130-50	MM-01-131-50	MM-01-132-50	MM-01-133-50
	Standard Top Stop feature	MM-01-430-50	MM-01-431-50	MM-01-432-50	MM-01-433-50

Talon Part Numbers				
Without Key locking* (egress opening from outside)	Door Thickness Range			
	20.5 (.81) - 23 (.91)	22.5 (.87) - 27 (1.06)	27 (1.06) - 34.5 (1.38)	28.5 (1.13) - 38 (1.5)
Anodized aluminum	MM-01-100-60	MM-01-101-60	MM-01-102-60	MM-01-103-60
Powder coated black aluminum	MM-01-100-50	MM-01-101-50	MM-01-102-50	MM-01-103-50
Chrome	MM-01-100-10	MM-01-101-10	MM-01-102-10	MM-01-103-10
Key locking				
Anodized aluminum	MM-01-110-60	MM-01-111-60	MM-01-112-60	MM-01-113-60
Powder coated black aluminum	MM-01-110-50	MM-01-111-50	MM-01-112-50	MM-01-113-50
Chrome	MM-01-110-10	MM-01-111-10	MM-01-112-10	MM-01-113-10

Talon Accessories	
Mounting tool for striker	MM-90-103-41
Top Stop	MM-7520
High-seas handles for chrome Talon	MM-7660
High-seas handles for black Talon	MM-7683

For top stop installation please refer to website.  
For high seas handle installation please refer to website.

- New superior Star Key Lock capability provides enhanced, three-axis pin tumbler security
- Top-stop latching feature provides option to secure door in the full open, full closed, or partially open positions, prevents accidental closing even in rough seas
- Attractive flush face design provides sleek look that complements a wide range of boats
- Optional high-seas handle provides sturdy grip for both latch and door operation
- Designed for doors in stainless steel and aluminum extrusions

### Material and Finish

Escutcheons, outside plate:  
Aluminum, chrome plated or black powder coat



# MM Star Slider Entry Door Latch

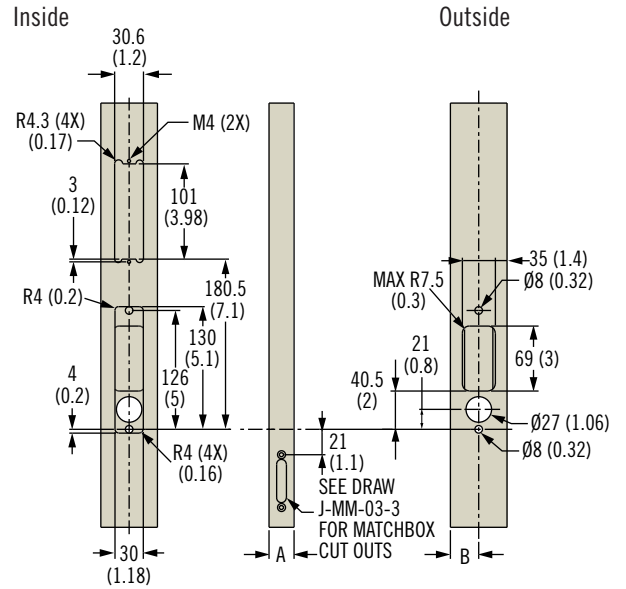
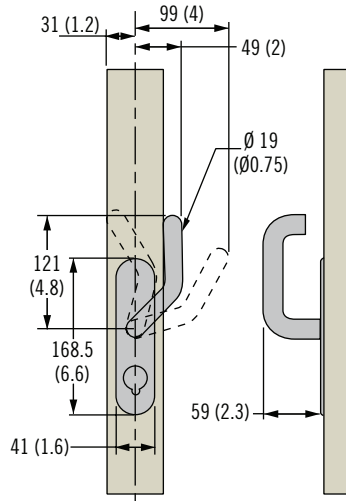
Flush inside style

- Superior Star Key Lock™ capability provides enhanced three-axis pin tumbler security
- A one-piece pivot actuation latch with integrated lock mechanism provides reliable performance and a smooth, ergonomic feel in use
- Flush version with pivot handle on the outside and flush handle on the inside
- Top-stop latching feature provides option to secure door in the full open, full closed, or partially open positions, prevents accidental closing even in rough seas
- Designed for doors in stainless steel and aluminum extrusions

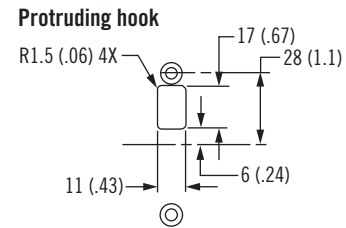
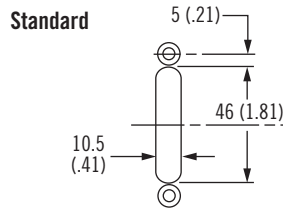
### Material and Finish

Escutcheons, outside plate:  
Aluminum, chrome plated

### Panel Preparation



### Latch Module Options



Slider Part Numbers - Flush inside version			
Latch Module Locking Mechanism	Door Thickness (A)		
	23 (.9) - 28.5 (1.12)	28.5 (1.12) - 33.5 (1.32)	33.5 (1.32) - 38 (1.50)
Standard. Star Slider chrome. Offset handle and flushed inside handle.	MM-03-131-XX-10	MM-03-132-XX-10	MM-03-133-XX-10
Star Slider chrome. Offset handle and flushed inside handle. Protruding hook.	MM-03-331-XX-10	MM-03-332-XX-10	MM-03-333-XX-10

XX = 15 for port closing door  
XX = 16 for starboard closing door

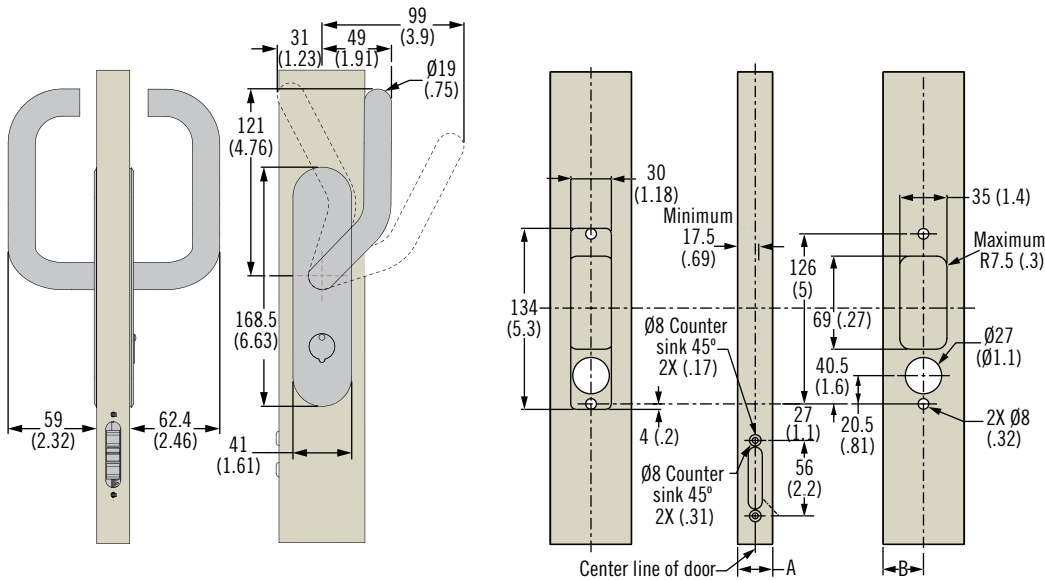
Star Slider Accessories	
Mounting tool for striker	MM-90-103-41
Top Stop	MM-7520

# MM Star Slider Entry Door Latch

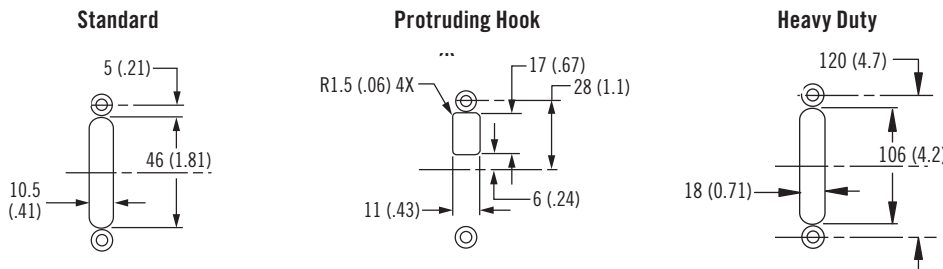
## Handle style



### Panel Preparation



### Latch Module Options



### Star Slider Part Numbers

Latch Module	Door thickness (A)		
	23 (0.93) - 28.5 (1.12)	28.5 (1.12) - 33.5 (1.32)	33.5 (1.32) - 38 (1.50)
Standard	MM-03-131-14-10	MM-03-132-14-10	MM-03-133-14-10
Protruding hook	MM-03-331-14-10	MM-03-332-14-10	MM-03-333-14-10
Standard top stop feature	MM-03-431-14-10	MM-03-432-14-10	MM-03-433-14-10
Heavy Duty	MM-03-531-14-10	MM-03-532-14-10	MM-03-533-14-10
Protruding hook, top stop feature	MM-03-631-14-10	MM-03-632-14-10	MM-03-633-14-10

### Star Slider Accessories

Mounting tool for striker	MM-90-103-41
Top Stop	MM-7520

- Superior Star Key Lock™ capability provides enhanced three-axis pin tumbler security
- A one-piece pivot actuation latch with integrated lock mechanism provides reliable performance and a smooth, ergonomic feel in use
- Pivot handle on both sides
- Top-stop latching feature provides option to secure door in the full open, full closed, or partially open positions, prevents accidental closing even in rough seas
- Designed for doors in stainless steel and aluminum extrusions

### Material and Finish

Escutcheon: Aluminum,  
Privacy Knob: Brass, chrome plated