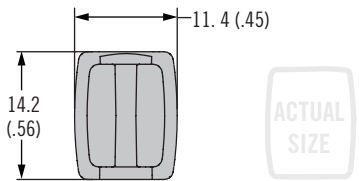


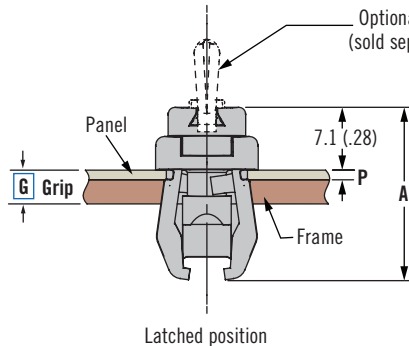
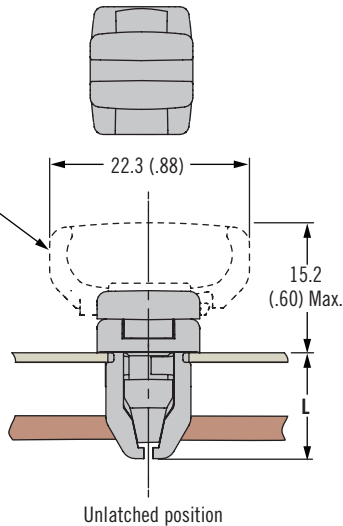
# NY DZUS® Q-Latch Quarter-Turn Fasteners Assembly



## Latched



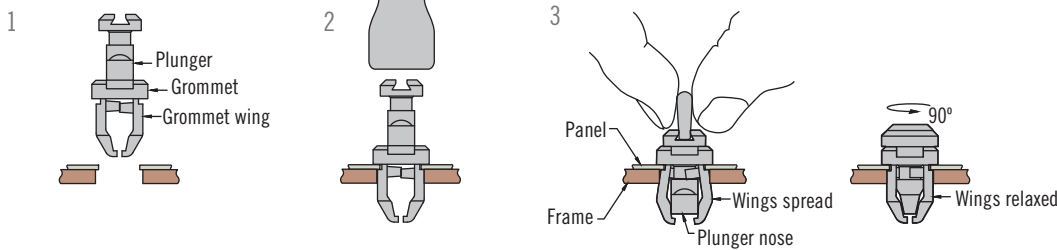
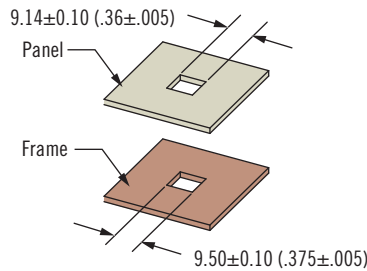
## Unlatched



Latched position

Unlatched position

G	Grip Range		P Max.	L
	Min.	Max.		
1	1.50 (.059)	3.76 (.148)	1.0 (.042)	12.7 (.50)
2	1.93 (.076)	4.19 (.165)	1.5 (.057)	12.95 (.51)
3	3.00 (.118)	5.26 (.207)	2.5 (.098)	13.97 (.55)
4	4.62 (.182)	6.88 (.271)	4.1 (.162)	15.75 (.62)



- Surface install
- Panel mounted assembly

### Material and Finish

Acetal copolymer resin, black

82

85

D8

D9

D1

D4

D5

D7

NY



### NY Q-latch

#### Installation notes

1. Insert assembly into outer panel.
2. Strike head of assembly to captivate assembly into outer panel.
3. Turn stud 90 degree to latch and unlatch.
4. Slide wing into slot

### Part Number Selection

Latch assembly shipped as one piece

Wing must be ordered separately

### Assembly

### Optional Wing (order separately)

NY - N6 - **G** - **F**

NY - H6 - **F**

- G** Grip range
- 1 1.50 - 3.76 (.059 - .148)
  - 2 1.93 - 4.19 (.076 - .165)
  - 3 3.00 - 5.26 (.118 - .207)
  - 4 4.62 - 6.88 (.182 - .271)

- F** Finish
- 10 Polycarbonate, white
  - 20 Polycarbonate, black
  - 30 Polysulfone, black
  - 31 Polysulfone, white