



PT Tubular Key Cam Locks

Fixed core

- 7-pin tumbler lock security
- Keyed alike, keyed differently or custom key code options
- Cams sold separately

Material and Finish

Zinc alloy, chrome plated

Performance Details

Average ultimate load on cam:
645 N (145 lbf)

Accessories

See page 169

Installation Notes

1. Install mounting nut and tighten to 5 N•m (44 in•lbf) Max.
2. Install cam to assembly. Properly orient for rotation and grip.
3. Install lockwasher and cam mounting nut. Tighten to 2 N•m (18 in•lbf).

Part Number Selection

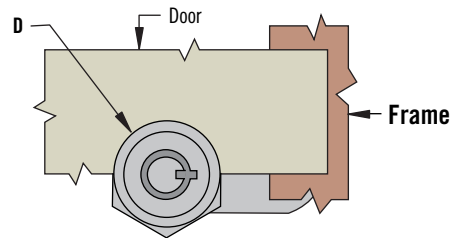
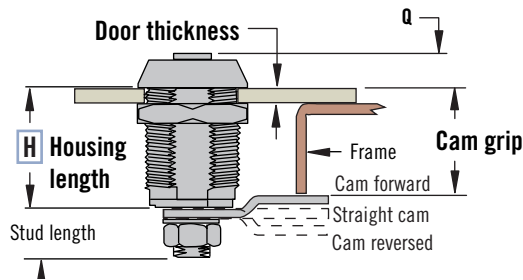
See table

Lock part number (no cam)

Order lock and cam separately

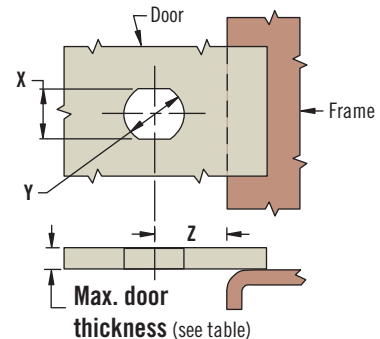
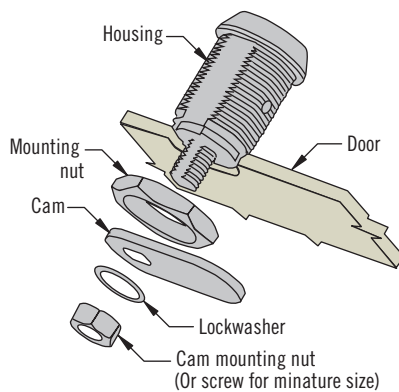
Cam page 171

Non-Sealed Pin Tumbler



Series	Non-Sealed Pin Tumbler	
	Q	D
Standard	6.8 (.27)	∅ 22 (.87)

Series	Installation		
	X	Y	Z
Standard	16.26 - 16.36 (.640 - .644)	∅ 19±0.2 (.75±.007)	19±2 (.75±.08)



R Rotation
01 Clockwise
09 Counter-clockwise

K Key removal
B Locked / unlocked removal
L Locked removal only

PT - 1 - H C1 R - 20 K - KC

H Housing Length Number	Housing Length	Stud Length	Max. Door Thickness
1	12.7 (.50)	8.9 (.35)	5.1 (.20)
2	17.5 (.69)	9.5 (.37)	10.9 (.43)
3	23.8 (.94)	9.5 (.37)	15.9 (.63)
4	30.5 (1.20)	9.5 (.37)	22.9 (.90)
5	36.5 (1.44)	9.5 (.37)	28.9 (1.14)

KC Key Code

- KA** Keyed alike T0001 (2 keys supplied)
- KD** Keyed differently 50 key codes (T0001 to T0050) provided in a non-master key system (2 keys supplied)

Other options available. For complete details on variety, part numbers, installation and specification, go to



Dimensions in millimeters (inch) unless otherwise stated

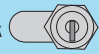
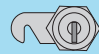

PT Tubular Key Cam Locks

Cams & installation



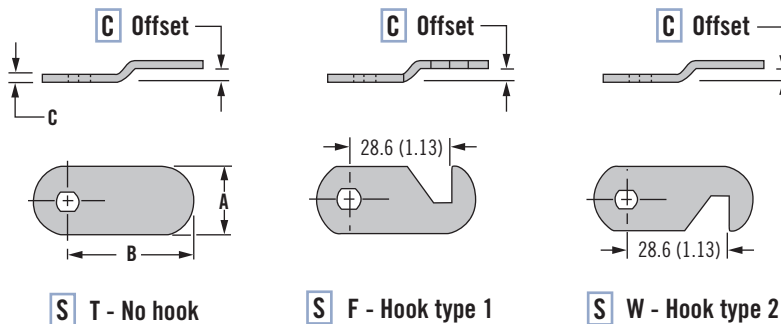
Installation

Standard

Cam Grip					Max. Door Thickness	Housing Length Number
19.0 (.75)	15.9 (.63)	12.7 (.50)	9.5 (.38)	6.4 (.25)	5.1 (.20)	1
23.8 (.94)	20.7 (.81)	17.5 (.69)	14.3 (.56)	11.2 (.44)	10.9 (.43)	2
30.1 (1.19)	27 (1.06)	23.8 (.94)	20.6 (.81)	17.5 (.69)	15.9 (.63)	3
36.8 (1.45)	33.7 (1.33)	30.5 (1.20)	27.3 (1.08)	24.2 (.95)	22.9 (.90)	4
42.8 (1.69)	39.7 (1.56)	36.5 (1.44)	33.3 (1.31)	30.2 (1.19)	28.9 (1.14)	5
Cam Part Number					Cam Type	
Cam Reversed		Straight	Cam Forward		Cam Type	
PT-T409	PT-T209	PT-T009	PT-T209	PT-T409	No Hook 	
PT-W409	PT-W209	PT-F009	PT-F209	PT-F409	Left 	
PT-F409	PT-F209	PT-F009	PT-W209	PT-W409	Right 	

Also use the online configurator at www.southco.com

Cam Styles



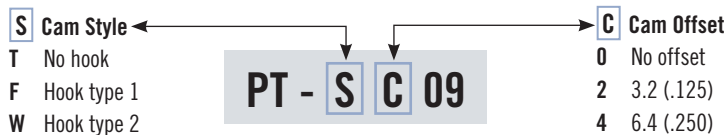
Material

- In the **TAN** section, locate the cam grip calculated for your application. If your grip falls between two values, use the higher value.
Notes: For cam grips that can be achieved with multiple housing lengths, use the value that results in the shortest housing possible based on the Max. door thickness allowed.
- From this value, move right horizontally into the **Gray** section and verify your door thickness falls within the Max. door thickness listed. Once this is verified, the housing length is selected and is illustrated by the housing length number.
- Returning to your original grip value in the **TAN** section, move down vertically into the **GREEN** section. The **GREEN** section illustrates the cams that are appropriate for your grip.
- By determining the required cam orientation and style in the **BLUE** section, the appropriate cam for your application is selected.

Part Number Selection

See table

- Order lock and cam separately
- Cam part number (no lock)
- For Lock selection see page 170



Series	Cam Style T No hook		
	A	B	C
Standard	19 (.75)	28.6 (1.13)	3 (.12)

