



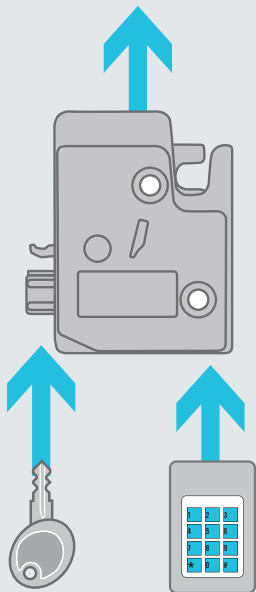
Electromechanical Rotary Latches

Overview

- Push-to-close, electronic release
- High electromechanical release load
- Minimal power draw
- Optional door sensor
- Mechanical over-ride
- 5VDC, 12VDC and 24VDC options



Latch and door status indication



Mechanical override

Electronic access control



R4-EM-05

R4-EM-05 Series – Compact Size

The R4-EM-05 Series provides push to close convenience with electronic release in a compact design. The microprocessor controlled gear motor releases reliably under high loads while the integrated latch and door sensors ensure the application is secure. Operation configurations include auto re-lock and delayed re-lock. The integrated electronics easily connect with various access controls systems.



R4-EM-9

R4-EM-9 Series – Full-featured

The microprocessor controlled R4-EM 9 Series delivers next generation electronic rotary latching. All inputs are routed through the internal microprocessor, allowing expanded programming capability and customization of latch functionality. Extended housing provides added protection of the cam and an integrated trigger sensor provides indisputable lock/unlock status reporting. Additionally, the 9 Series offers a door retention feature which allows a door or panel to remain in the closed position until it is ready to be opened.



R4-EM-8

R4-EM-8 Series – Basic functionality

The R4-EM 8 Series combines the efficient and robust performance of a rotary latch mechanism with simplified DC motor actuation. The R4-EM 8 Series is available with or without an extended housing option to accommodate door sensing and to provide added protection of the locking cam. Additionally, the 8 Series is available with an integrated connector and mechanical override bracket, and features simple, concealed two-hole installation.



R4-EM-5 & 7

R4-EM 5 & 7 Series – Outdoor use

The R4-EM Outdoor provides reliable electronic access control in demanding environments. With its corrosion-resistant plated-steel or stainless steel outer body construction and fully-sealed internal actuator, the R4-EM Outdoor provides reliable electronic locking that is resistant to moisture and dust. The embedded electronic control allows integration with an external control system and flexible, concealed installation accommodates a variety of outdoor applications.



R4-EM-4 & 6

R4-EM 4 & 6 Series – Lightweight

The R4-EM Light Duty delivers proven electronic access control in a compact, lightweight integrated package. Easy push-to-close operation and simple installation make it an ideal solution for transitioning from mechanical to electronic access. The R4-EM Light Duty is available in both auto re-lock and delayed re-lock versions for added flexibility. Multiple mounting configurations and a compact size afford easy integration into existing designs.



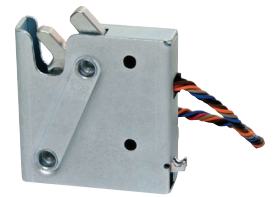
R4-EM-1 & 2

R4-EM 1 & 2 Series – All-metal construction

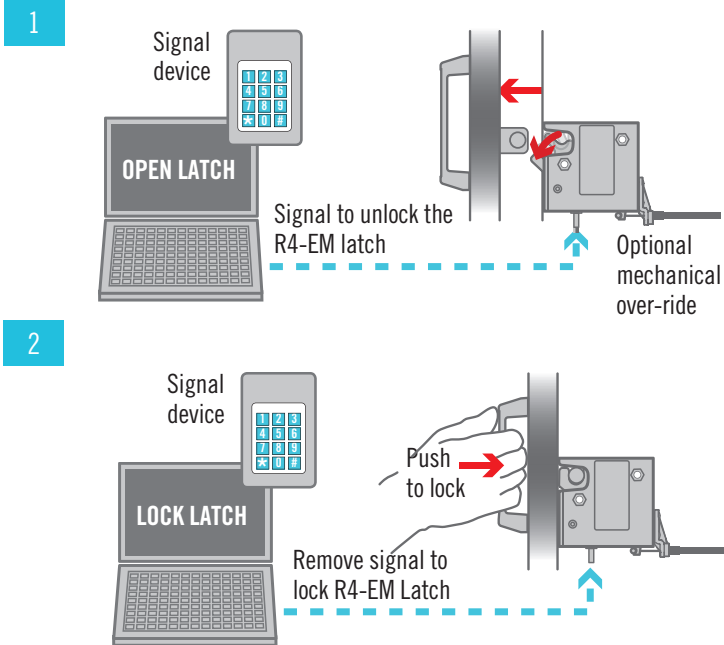
The original, all-metal construction R4-EM delivers the convenience of electronic access control with the security of a proven, robust, all-metal rotary latch. Easy push-to-close operation and electronic actuation simplify access across a wide variety of applications. The R4-EM series accepts access control signals from access control devices as well as networked systems. An optional internal microswitch provides an output signal to remotely monitor latch status or control external systems.

R4-EM Electronic Rotary Latch

Operation Style



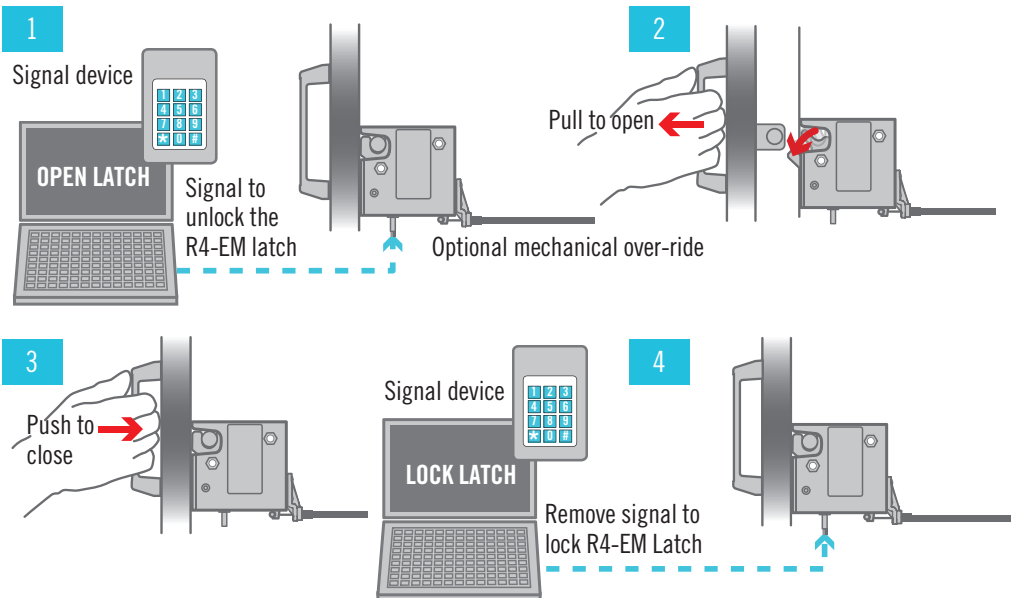
Auto Relock Operation Style



Operation Style - Auto relock

1. The signal unlocks the R4-EM latch and releases the spring loaded cam which rotates out to push a lightweight door open. The mechanism will cycle through unlatched then related state automatically, regardless of input signal on time.
2. Push door closed to engage striker after unlock time has expired. Striker will rotate cam to closed position.

Delayed Relock Operation Style



Operation Style - Delayed relock

1. The signal unlocks the R4-EM latch leaving a biased closed door in the closed position. The unlock time is controlled by the access control device.
2. Manually pull door/striker free from R4-EM latch.
3. Manually push door closed. Striker will rotate cam to closed position, however latch will remain unlocked and can be re-opened as long as signal is present.
4. After accessing the door, the signal can be removed to re-lock the R4-EM. This can be done with the door in the open or closed position.

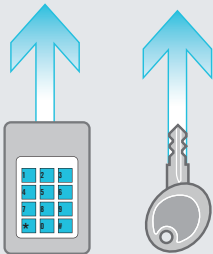
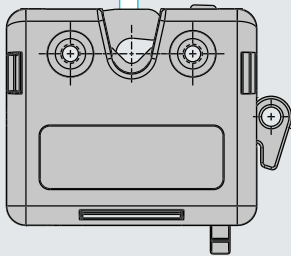
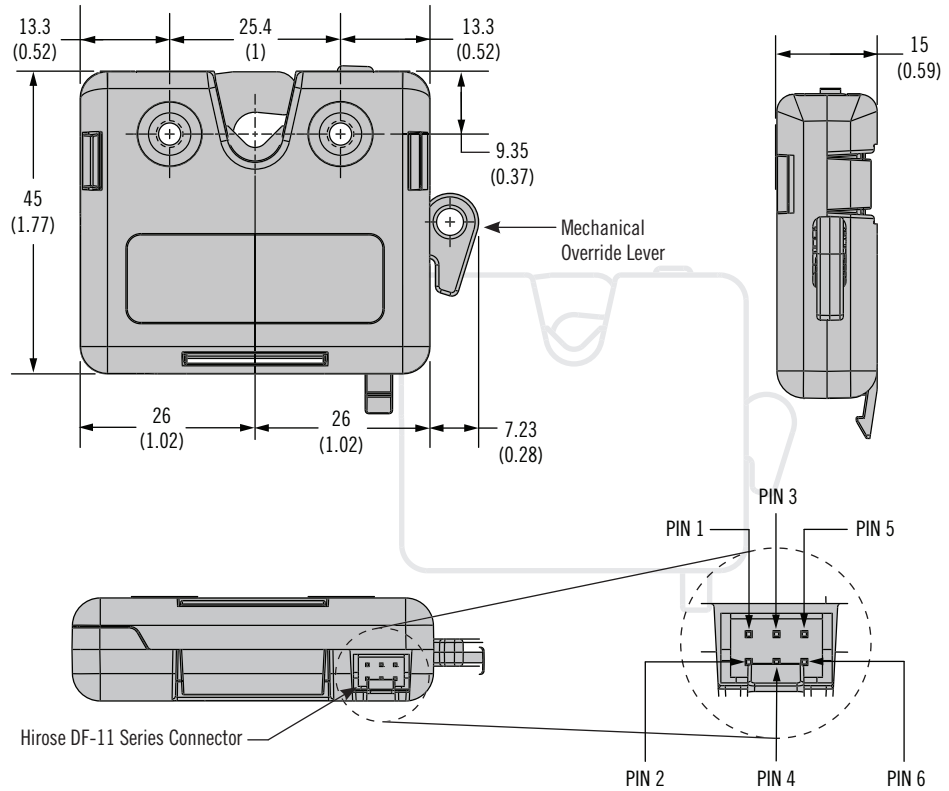


R4-EM-05 Series Electromechanical Rotary Latch

Compact Size · Door Sense Option

Electronic access with internal motor control

- Push-to-close, electronic release
- Compact design
- Sensors ensure secure latch & door
- Latch releases reliably even under high load
- Integrated mechanical over-ride



Part Number Selection

R4 - EM - **T** **M** 0 - 1 **S** 0 - **P**

T Operation Style

- 05A Auto relock
- 05D Delayed relock
- See page 21 for operation details

M Mounting Type

- 0 4.5mm thru
- 1 8-32 UNC
- 2 M4x0.7

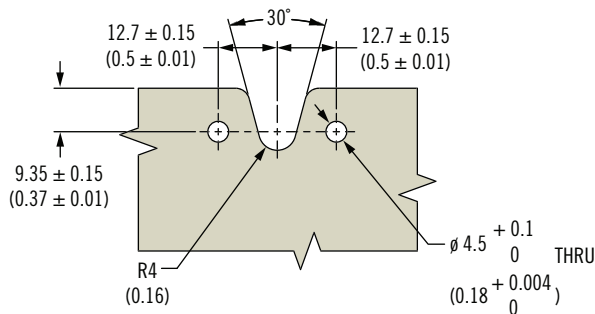
- P Packaging Options**
- None Individually packaged
 - 1 Bulk packaged

S Sensor Options

- 0 - Latch Sensor Only
 - 5 - Latch & Door Sensor*
- * Door sensor requires door sensor bracket

Installation

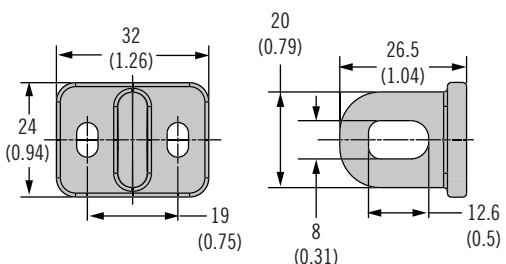
Panel Preparation



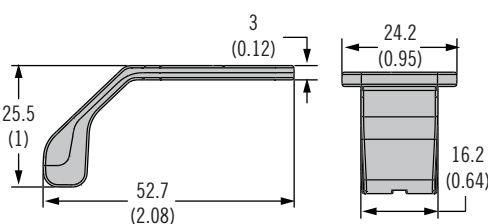
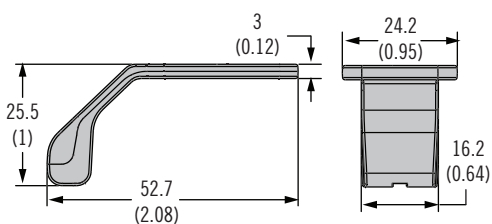
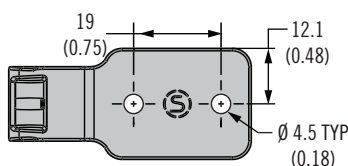
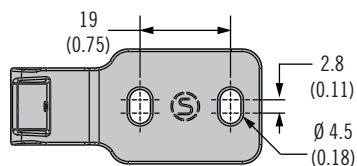
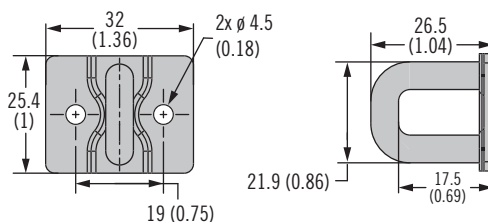
Dimensions in millimeters (inch) unless otherwise stated

Optional Striker and Door Sensor Bracket

Part Number	
Molded Striker	R4-0-61336
Door Sensor Bracket	R4-99-966



Part Number	
Wire Form Striker	R4-0-71060
Door Sensor Bracket	R4-99-966-1



Electronic Actuators See page 48



Mechanical Actuators See page 34



Cables See page 322



Wiring/Junctions See www.southco.com

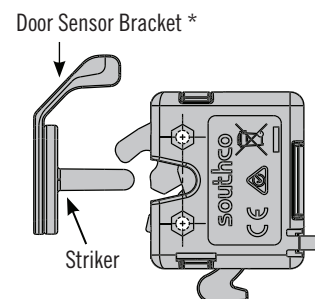


Material and Finish

Housing: PC/ABS
 Latch frames, Pivot pins, Cam and Trigger: Steel, zinc plated
 Striker: Steel, zinc plated or Glass-filled nylon, black
 Door Sensor Bracket: PC/ABS, Magnet: Neodymium
 Recommended Operating Voltage: 5 to 12 VDC
 Typical Operating Current: Less than 500mA

Latch Connector PIN Assignment

PIN 1: Ground (-)
 PIN 2: Power (+)
 PIN 3: Not connected
 PIN 4: Control signal
 PIN 5: Latch status
 PIN 6: Door status



* Door sensor bracket required for door sense capability



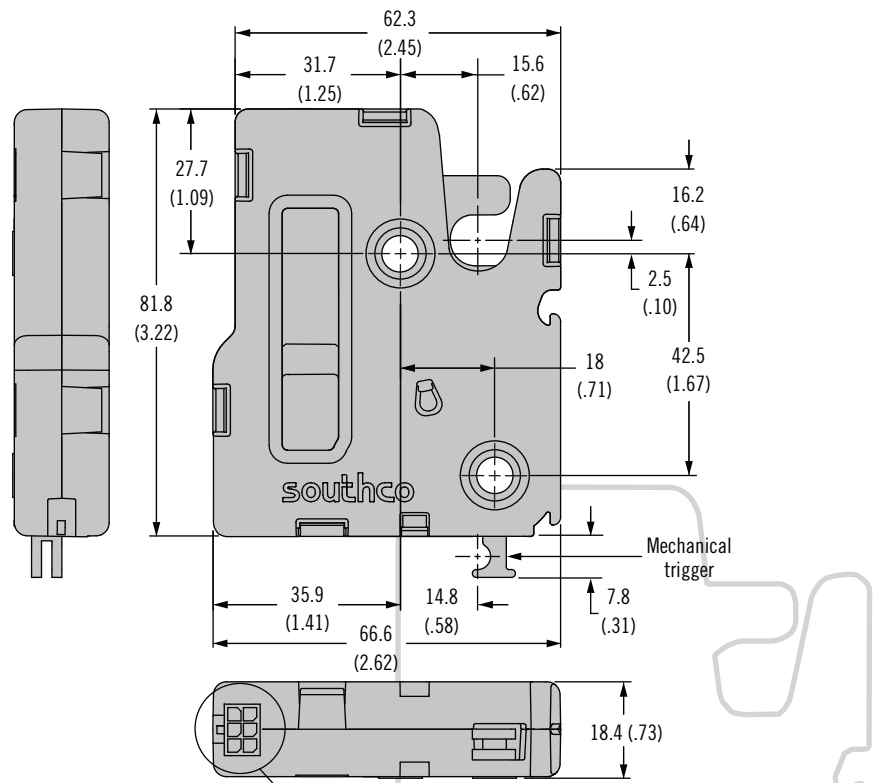
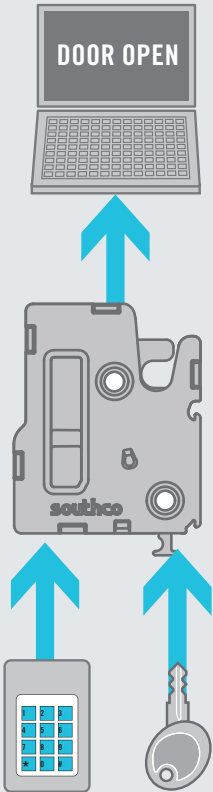
R4-EM 9 Series Electromechanical Rotary Lock

Concealed cam

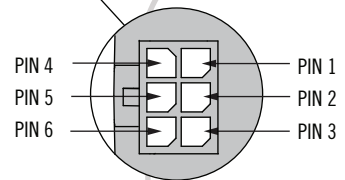
Electronic access with internal motor control

- Push-to-close, electronic release
- High electromechanical release load
- Minimal power draw
- Integrated connector
- Extended housing for added security
- Door and Trigger Sensor
- Microswitch to detect latch status
- Mechanical over-ride with integrated cable bracket
- 12VCD to 24VCD operations
- Efficient DC gear motor actuation
- Detent mechanism for pull-open function
- Simple two-hole installation

- 12V
- 24V



Latch Wiring Connections



ACTUAL SIZE

Part Number Selection

R4 - EM - 9 T B A - 150 - P

T Trigger Styles

- A** Auto relock, rear trigger, with kick-out spring
- D** Delayed relock, rear trigger, with kick-out spring
- P** Delayed relock, rear trigger, pull to open

A Alternate Configurations

- None** Plastic housing
- 5** Metal Housing

B Base Mounting Style

- 1** 1/4 - 20 thread
- 2** M6 thread
- 3** Ø 7.0 (.27) thru hole

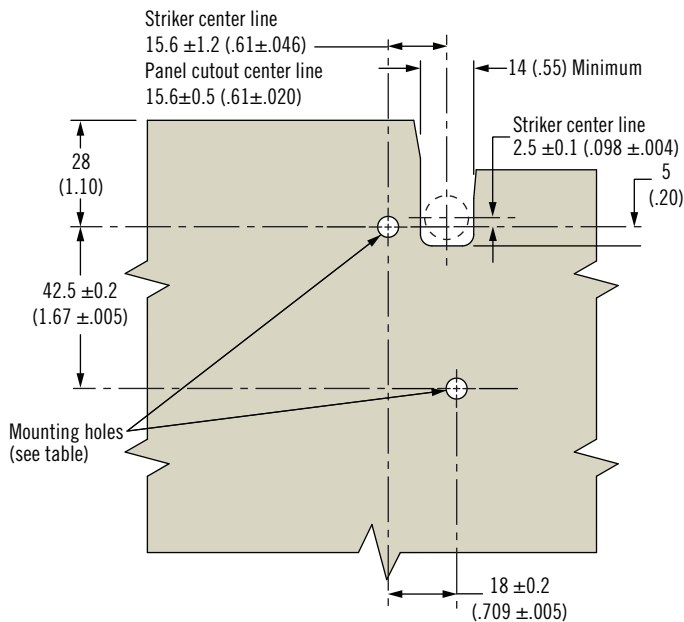
P Packaging Options

- None** Individually packaged
- 1** Bulk packaged

Installation

Panel Preparation

Base Mounting Style	Recommended minimum mounting hole
1/4-20 thread	Ø 7.2 (.283)
M6 thread	Ø 6.9 (.272)
Thru hole	Ø 7.6 (.300)



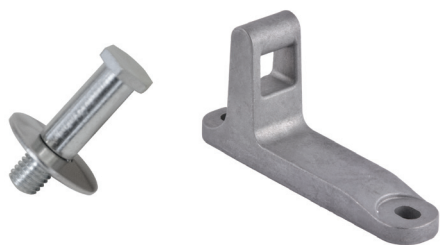
Operation

See page 21 for operating instructions

Accessories

Striker Bolt or Cast Striker

See page 36



Cable Mounting Kit

See page 37



Material & Finish

Top Housing: PC/ABS or Aluminum
Bottom Housing: PC/ABS or Zinc, Die Cast

Pivot Pins: Steel, zinc plated
Cam, Trigger: Steel, sealed
Springs: Stainless steel passivated
Trigger Interlock Lever: Glass-filled nylon

Bistable Spring Retainer: Zinc Alloy
Drive Cam: Acetal, black
Output Cam: Acetal, white

Electrical Specifications

Recommended Operating Voltage:

12 to 24 VDC

Typical Operating Current :

12 V Models: Less than 500mA

Latch Connector

Pin Assignment

- PIN 1: Ground (-)
- PIN 2: Power (+)
- PIN 3: Control Signal
- PIN 4: Latch Status
- PIN 5: None
- PIN 6: Door status

Electronic Actuators

See page 48



Mechanical Actuators

See page 34



Cables

See page 322



Wiring/Junctions

See www.southco.com





R4-EM 8 Series Electromechanical Rotary Lock

Door sensor option · Extended housing option

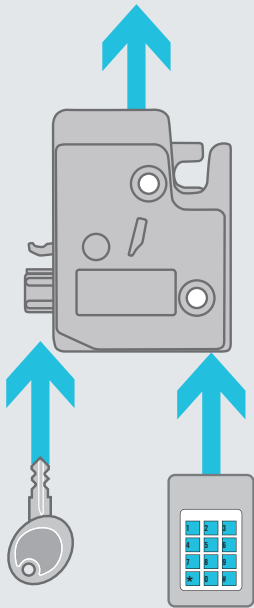
Electronic access without internal motor control

- Push-to-close, electronic release
- Auto relock functionality
- Minimal power draw
- Integrated connector
- Extended housing option for added security
- Optional door sensor
- Microswitch to detect latch status
- Mechanical over-ride with integrated cable bracket
- Efficient DC motor actuation
- Simple two-hole installation



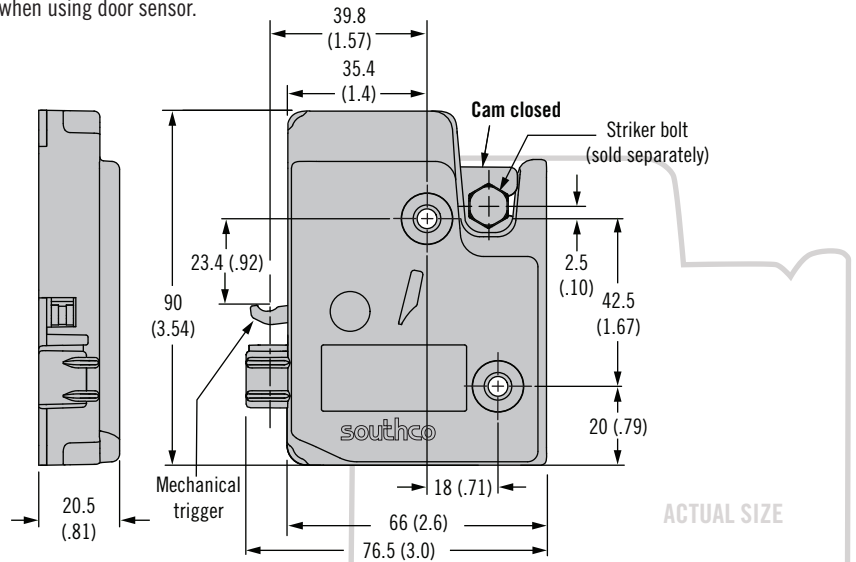
12V

24V



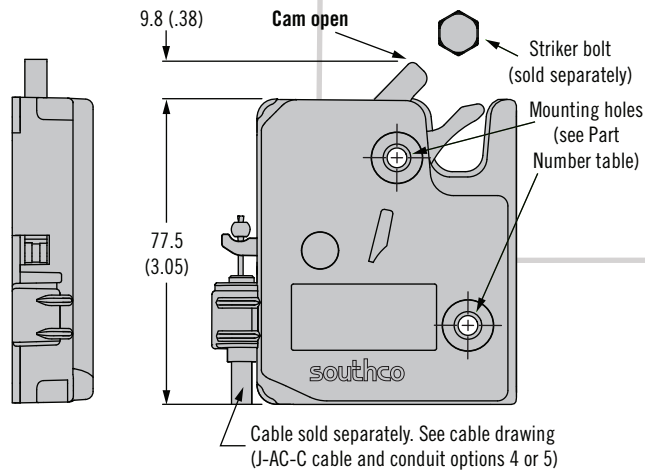
Extended Housing

This version is required when using door sensor.



Standard Housing

(Dimensions are the same as above, except as noted.)



Part Number Selection

R4 - EM - 8 B A - V S O - P

- B** Base Mounting Style
- 1 1/4-20 thread
 - 2 M6 thread
 - 3 Ø 7.0 (.27) thru hole

- A** Housing Configurations
- None Standard housing
 - 6 Extended housing

- V** Voltage
- 2 24 volts
 - 3 12 volts

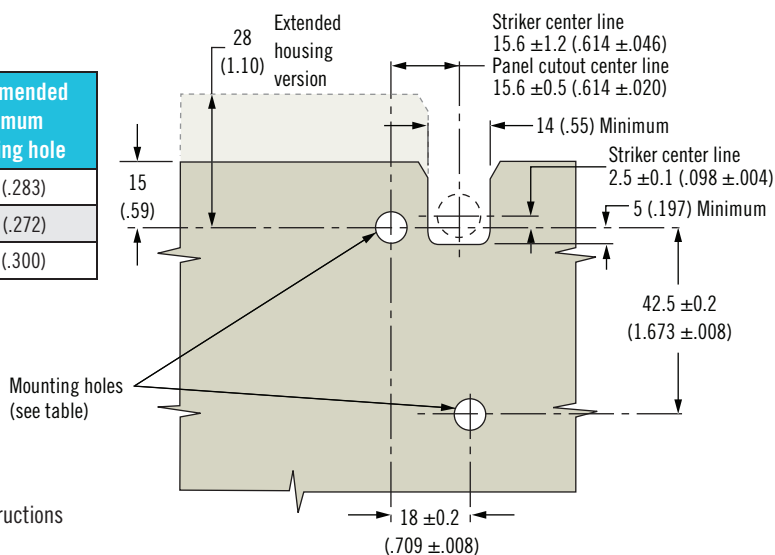
- P** Packaging Options
- None Individually packaged
 - 1 Bulk packaged

- S** Integrated Door Sensor
- 3 No
 - 4 Yes (Extended housing only)

Installation

Panel Preparation

Base Mounting Style	Recommended minimum mounting hole
1/4-20 thread	Ø 7.2 (.283)
M6 thread	Ø 6.9 (.272)
Thru hole	Ø 7.6 (.300)



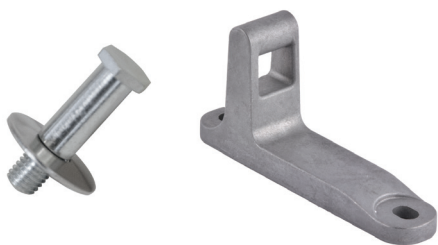
Operation

See page 21 for operating instructions

Accessories

Striker Bolt or Cast Striker

See page 36



Electronic Actuators

See page 48



Mechanical Actuators

See page 34



Cables

See page 322



Wiring/Junctions

See www.southco.com



Material & Finish

Top housing: Nylon

Gearbox cover: PC/ABS

Bottom housing, Pivot pins,

Screws: Steel, zinc plated

Cam, Trigger: Steel, sealed

Gears: Acetal

Pin, Springs: Stainless steel

Electrical Specifications

Recommended Operating Voltage:

12 V Models: 8 to 14 VDC

24 V Models: 21 to 26 VDC

Typical Operating Current :

12 V Models: Less than 200mA

24 V Models: Less than 100mA

Latch status switch: 1A Maximum

Latch Connector

Pin Assignment

PIN 1: Power

PIN 2: Ground (-)

PIN 3: None

PIN 4: Latch status signal



R4-EM 5 & 7 Series Electronic Rotary Latch

Sealed motor · Stainless steel housing option

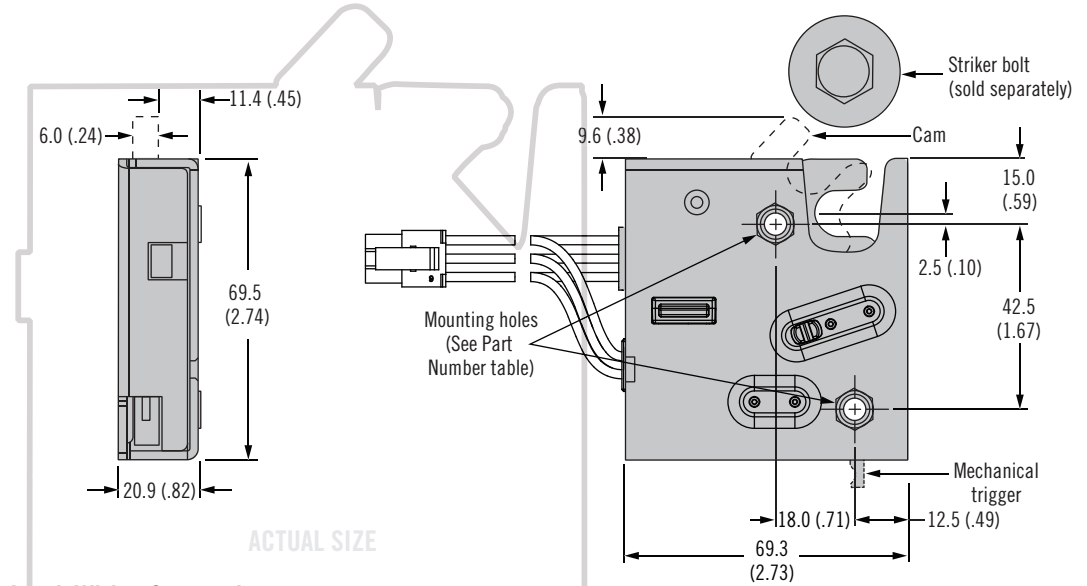
Electronic access with internal motor control

- Motor actuator sealed against water and dust ingress to IP56
- Corrosion resistant plated-steel and stainless steel options
- Push-to-close, electronic release
- Versatile rotary mechanism
- Concealed latching
- Microprocessor control
- Auto or delayed relock functionality
- Minimal power draw
- Optional internal micro-switch for latch status
- Simple mechanical over-ride

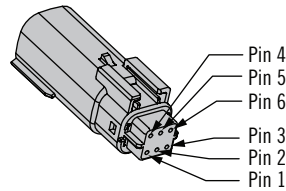
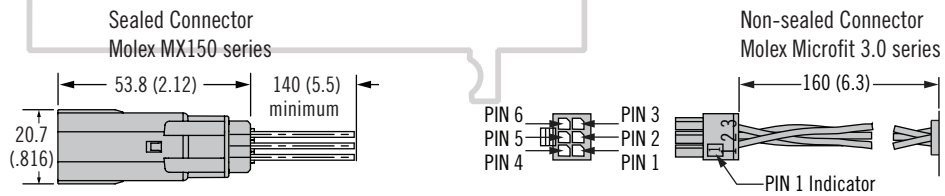


12V

24V



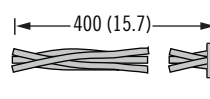
Latch Wiring Connections



Material Options

- None** Steel plated
- B** Stainless steel (Alt Config none or 2 only)
- C** Steel plated, UL, class 1 Div 2
- D** Stainless steel, UL class 1 Div 2 (Alt Config none or 2 only)

No Connector



Part Number Selection

R4 - EM - T B A - 1 S C - P M

T Trigger Style

- 5** Auto re-lock, side trigger, with kick-out spring
- 7** Delayed re-lock, side trigger, with light spring
- R5** Auto re-lock, rear trigger, with kick-out spring
- R7** Delayed re-lock, rear trigger, with light spring

B Base Mounting Style

- 1** 1/4-20 thread
- 2** M6 thread
- 3** Ø 7.0 (.27) thru hole

A Alternate Configurations

- None** Standard configuration
- 2** Strong (kick out) cam spring (delayed relock)
- 3** High strength cam (steel cam only) **M** = none only
- 4** High strength cam with strong (kick out) cam spring (delayed relock, steel cam only) **M** = none only

P Packaging Options

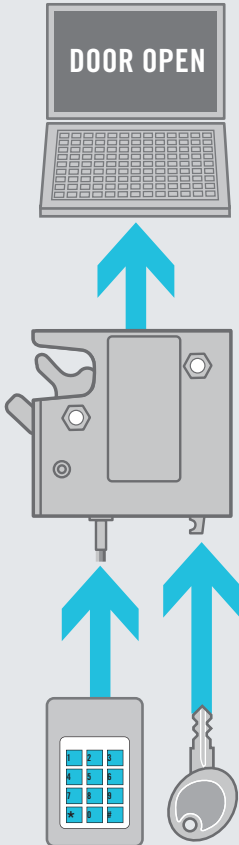
- None** Individually packaged
- 1** Bulk packaged

C Connector Options

- 1** Non-sealed connector
- 2** No connector (stripped and tinned)
- 3** Sealed connector

S Switch Options

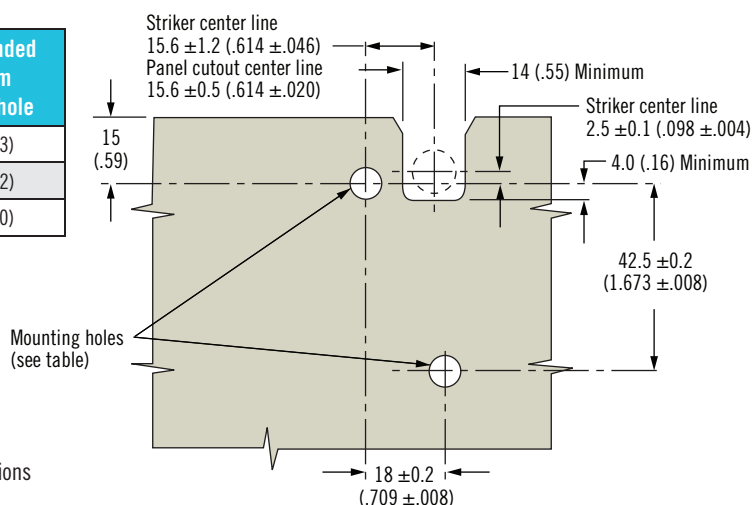
- 3** No switch
- 6** Internal latch status switch



Installation

Panel Preparation

Base Mounting Style	Recommended minimum mounting hole
1/4-20 thread	Ø 7.2 (.283)
M6 thread	Ø 6.9 (.272)
Thru hole	Ø 7.6 (.300)



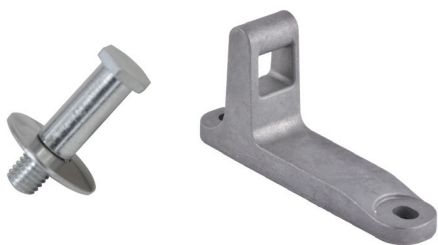
Operation

See page 21 for operating instructions

Accessories

Striker Bolt or Cast Striker

See page 36



Cable Mounting Kit

See page 37



Material & Finish

Mechanism

Housing, Cam, Trigger, Pins: Zinc nickel plated steel or stainless steel
 Springs: 300 Series stainless steel
 Electronic Actuator
 Housing: PC/ABS
 Bellows, Wire seal: Silicone
 Perimeter Seal: Buna
 Cams: Acetal
 Grommet: TPE

Electrical Specifications

Recommended Operating Voltage:
 12 to 24 Volt DC

Typical Operating Current (average at no load): Less than 600mA at 12 VDC

Input Signal Current Draw: 25mA Maximum at 24 VDC

Micro-switch Rating: 3A Maximum at 12VDC

Wire Color Code / Connector Pin Assignment:

PIN 1: Brown: Ground (-)
 PIN 2: Red: Power 12 to 24 Volts DC
 PIN 3: Orange: Control Signal 12 to 24 Volts DC
 PIN 4: Black: Microswitch Common
 PIN 5: Blue: Microswitch N.O. Contact
 PIN 6: Grey: Microswitch N.C. Contact

Electronic Actuators

See page 48



Mechanical Actuators

See page 34



Cables

See page 322



Wiring/Junctions

See www.southco.com





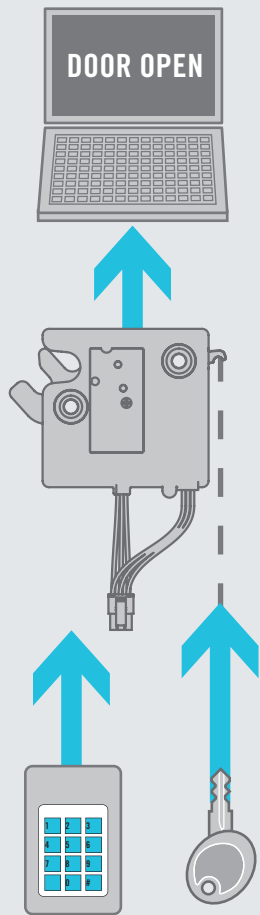
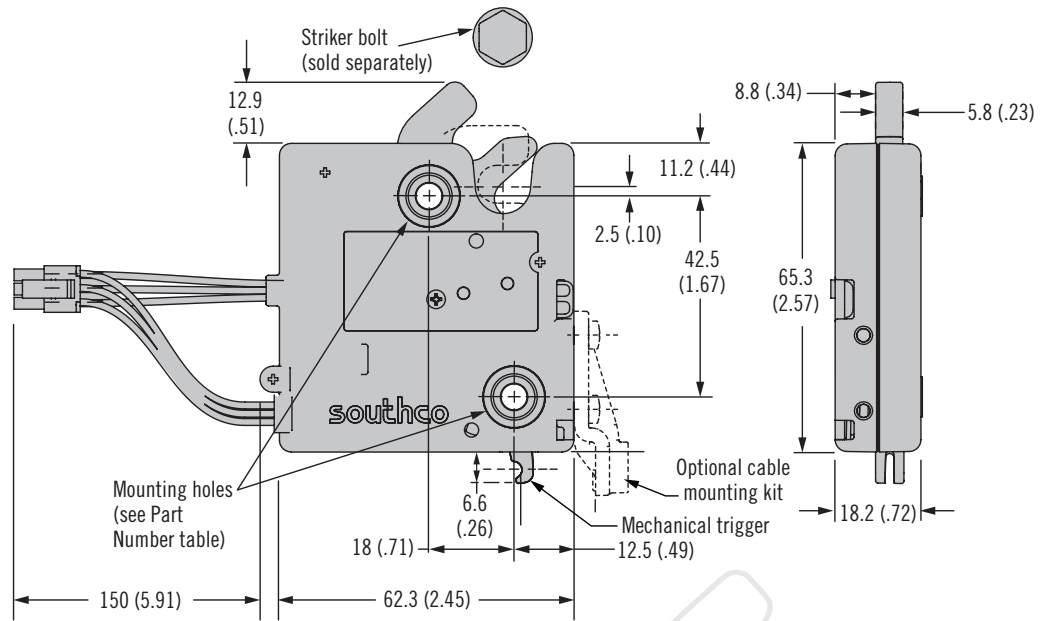
R4-EM 4 & 6 Series Electronic Rotary Latch

Compact size · Lightweight

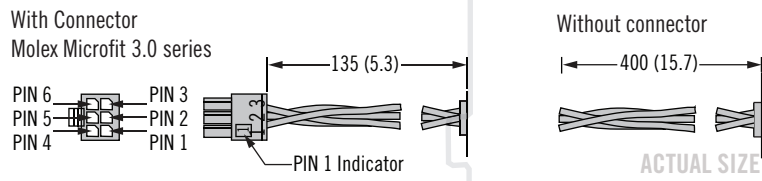
Electronic access with internal motor control

- Light weight construction
- Auto re-lock and delayed re-lock version
- Push-to-close, electronic release
- Versatile rotary mechanism
- Concealed latching
- Microprocessor control
- Minimal power draw
- Simple mechanical over-ride
- Optional internal microswitch for latch open/close output signal

- 12V
- 24V



Latch Wiring Connections



Part Number Selection

R4 - EM - T B A - 1 S C - P

T Trigger Styles

- 4 Auto re-lock with kick-out spring
- 6 Delayed re-lock with light spring

B Base Mounting Style

- 3 Ø 5.5 (.22) thru hole
- 4 M5 thread
- 5 10-24 thread

A Alternate Configurations

- None Standard configuration
- 2 Strong (kick out) cam spring (delayed relock)

P Packaging Options

- None Individually packaged
- 1 Bulk packaged

C Connector Options

- 1 With connector
- 2 Without connector

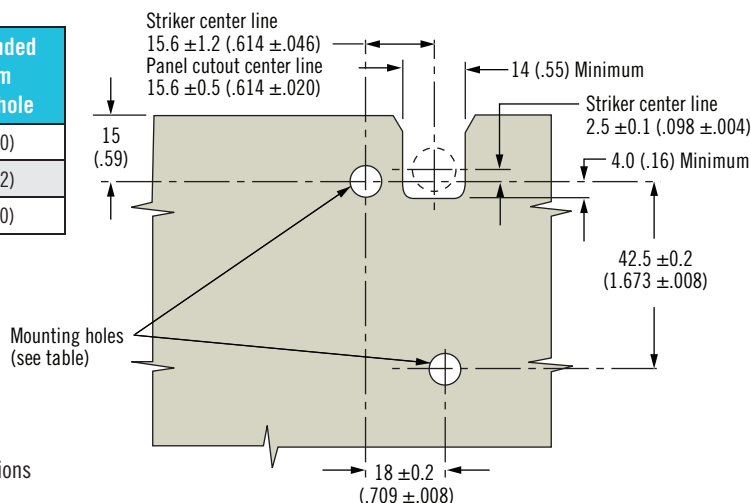
S Switch Options

- 3 No switch
- 6 Internal latch status switch

Installation

Panel Preparation

Base Mounting Style	Recommended minimum mounting hole
10-24 thread	Ø 5.6 (.220)
M5 thread	Ø 5.9 (.232)
Thru hole	Ø 6.1 (.240)



Operation

See page 21 for operating instructions

Accessories

Striker Bolt

See page 36



Cable Mounting Kit

See page 37



Material & Finish

Housings: PC/ABS

Cam: Glass-filled nylon

Trigger: PBT

Springs: Stainless Steel

Pins: Steel, zinc plated

Electrical Specifications

Recommended Operating Voltage:

12 to 24 VDC

Typical Operating Current (average

at no load): Less than 600mA at

12VDC

Input Signal Current Draw: 25mA

Maximum

**Optional microswitch closes upon latch closure

Microswitch Rating: 3A Max at 12 VDC

Wire Color Code / Connector

Pin Assignment:

PIN 1: Brown: Ground (-)

PIN 2: Red: Power 8 to 26 Volts DC

PIN 3: Orange: Control Signal

8 to 26 Volts DC

PIN 4: Black: Microswitch Common

PIN 5: Blue: Microswitch N.O.

Contact

PIN 6: Grey: Microswitch N.C.

Contact

Electronic Actuators

See page 48



Mechanical Actuators

See page 34



Cables

See page 322



Wiring/Junctions

See www.southco.com





R4-EM 1 & 2 Series Electronic Rotary Latch

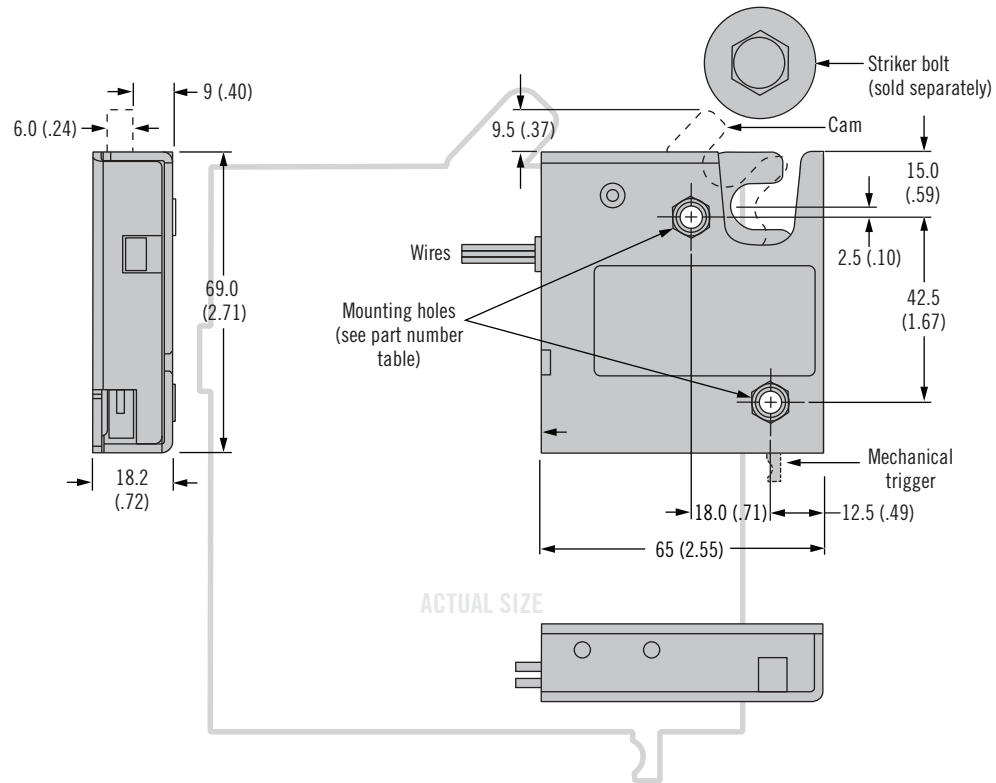
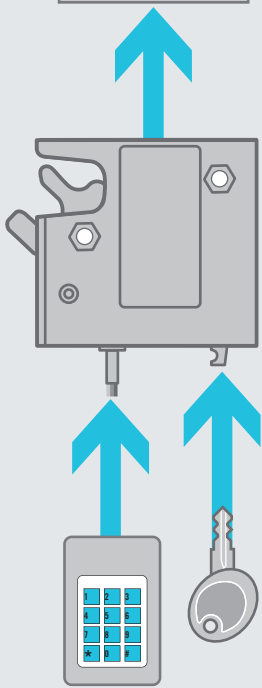
All-metal construction
Electronic access with internal motor control

- High strength, steel construction
- Operates against high mechanical loads
- Push-to-close, electronic release
- Versatile rotary mechanism
- Concealed latching
- Microprocessor control
- Minimal power draw
- Simple mechanical override
- Optional internal microswitch for latch open/close output signal

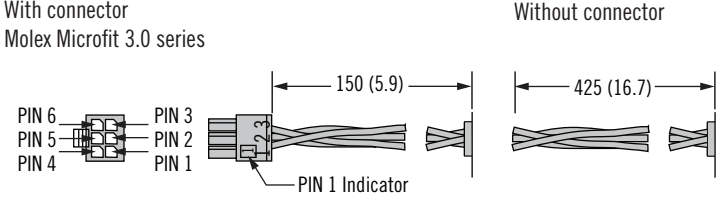


12V

24V



Latch Wiring Connections



Part Number Selection

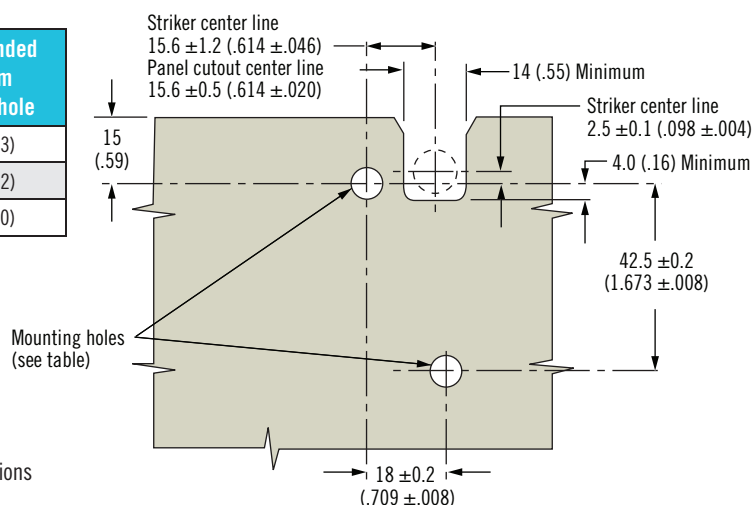
R4 - EM - T B A - 1 S C - P

<p>T Trigger Styles</p> <ul style="list-style-type: none"> 1 Auto relock, side trigger, with kick-out spring 2 Delayed relock, side trigger, with light spring R1 Auto relock, rear trigger, with kick-out spring R2 Delayed relock, rear trigger, with light spring 	<p>B Base Mounting Style</p> <ul style="list-style-type: none"> 1 1/4 - 20 thread 2 M6 thread 3 Ø 7.0 (.27) thru hole 	<p>A Alternate Configurations</p> <ul style="list-style-type: none"> None Standard configuration 2 Strong (kick out) cam spring (delayed relock) 3 High strength cam 4 High strength cam with strong (kick out) cam spring (delayed relock) 	<p>P Packaging Options</p> <ul style="list-style-type: none"> None Individually packaged 1 Bulk packaged 	<p>C Connector Options</p> <ul style="list-style-type: none"> 1 With connector 2 Without connector 	<p>S Switch Options</p> <ul style="list-style-type: none"> 3 No switch 6 Internal latch status switch
-----------------------------------------------------------------------------------------------------------------------------------------------------------------------------------------------------------------------------------------------------------------------------------------------------------------------	---------------------------------------------------------------------------------------------------------------------------------------------------------------	----------------------------------------------------------------------------------------------------------------------------------------------------------------------------------------------------------------------------------------------------------------------------------------------	-----------------------------------------------------------------------------------------------------------------------------------------	-----------------------------------------------------------------------------------------------------------------------------------	--------------------------------------------------------------------------------------------------------------------------------------

Installation

Panel Preparation

Base Mounting Style	Recommended minimum mounting hole
1/4-20 thread	Ø 7.2 (.283)
M6 thread	Ø 6.9 (.272)
Thru hole	Ø 7.6 (.300)



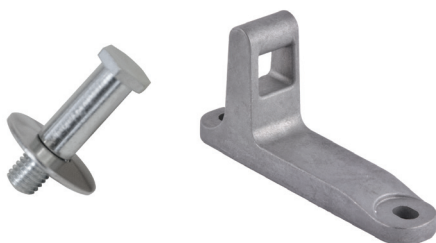
Operation

See page 21 for operating instructions

Accessories

Striker Bolt or Cast Striker

See page 36



Cable Mounting Kit

See page 37



Material & Finish

Mechanism

Housing: Steel, zinc plated

Cam, trigger: Steel, zinc plated

Springs: 300 Series stainless steel

Pins: Steel, zinc plated

Electronic Actuator:

Housing: PC/ABS

Cam / follower: Acetal

Electrical Specifications

Recommended Operating Voltage:

12 to 24 Volt DC

Typical Operating Current: Less than 500mA at 12 VDC

Peak/Stall Operating Current: 1 A

Standby Current: 185uA

Input Signal Current Draw: 25mA

**Optional microswitch closes

upon latch closure

Microswitch Rating: 3A at

12VDC Maximum

Wire Color Code / Connector

Pin Assignment:

PIN 1: Brown: Ground (-)

PIN 2: Red: Power 8 to 26 Volts DC

PIN 3: Orange: Control Signal
8 to 26 Volts DC

PIN 4: Black: Microswitch Common

PIN 5: Blue: Microswitch N.O.

Contact

PIN 6: Grey: Microswitch N.C.

Contact

Electronic Actuators

See page 48



Mechanical Actuators

See page 34



Cables

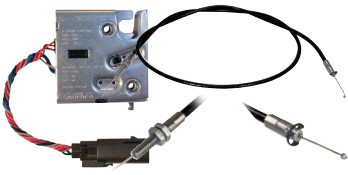
See page 322



Wiring/Junctions

See www.southco.com





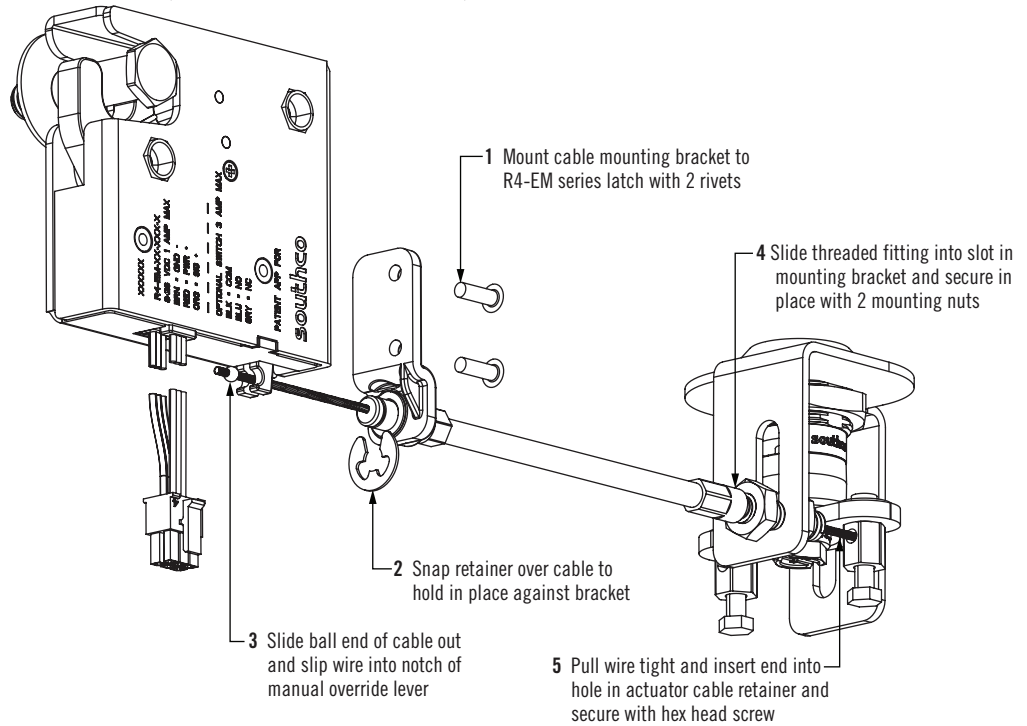
R4-EM Mechanical Override System

- Adapts to any standard Southco R4-EM Electronic Rotary Latch
- Choose from flat key or tubular key cam latch for remote key lock
- Simple installation with multiple adjustments and customized cable lengths to suit any application.
- Accommodates clockwise or counter clockwise key rotation for latch release

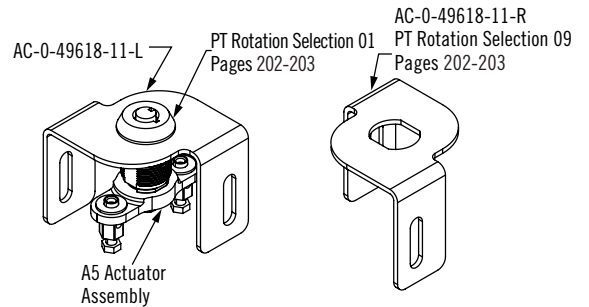
Southco now offers a standard solution for remote mechanical actuation of the R4-EM Electronic Rotary Latch. The cable based solution provides a simple means of mechanically releasing the electronic lock in the event of electrical power loss providing fully redundant access.

Installation

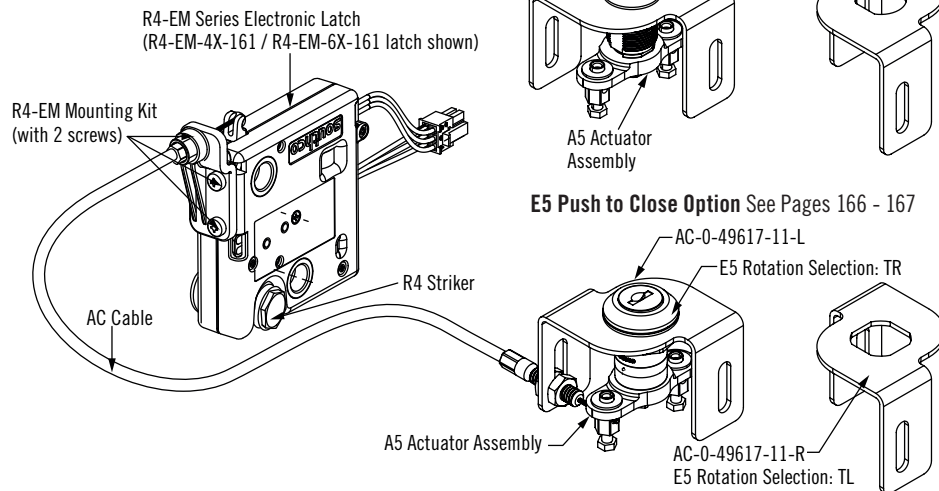
R4-EM Series Electronic Latch
(R4-EM-1X-161 / R4-EM-2X-161 shown)



PT Latch Option See Pages 202 - 203


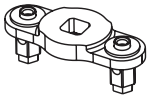
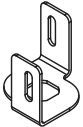




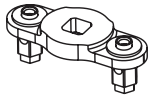
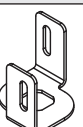
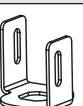
E5 Push to Close Option See Pages 166 - 167



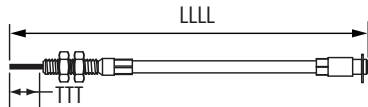
How to Order

Step 1 Select mechanical override lock and corresponding AC actuator assembly and AC cable bracket

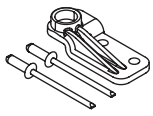
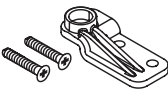
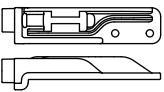

 <p>E5 Latch Push-to-Close assembly See page 166 See drawing J-E5-53-A</p>	Description	Part Number		Latch Rotation Selection	
	A5 Actuator	A5-99-136			
	AND				
	AC Cable Bracket	AC-0-49617-11-R		E5-T-LF-TL-1K See pages 166 - 167	
	OR				
AC Cable Bracket	AC-0-49617-11-L		E5-T-LF-TR-1K See pages 166 - 167		

 <p>PT Latch Tubular Key cam Lock See page 202 See drawing J-PT-1</p>	Description	Part Number		Latch Rotation Selection	
	A5 Actuator	A5-99-157			
	AND				
	AC Cable Bracket	AC-0-49618-11-R		PT-1-HC109-20K-KC See pages 202 - 203	
	OR				
AC Cable Bracket	AC-0-49618-11-L		PT-1-HC101-20K-KC See pages 202 - 203		

Step 2 Determine mechanical cable length required

<p>Mechanical Cable See drawing J-AC-C</p>	AC-COHO-4-LLLL-TTT	<p>LLLL - Length from behind ball end to end of cable TTT - Raw cable extension portion of LLLL length</p>	
-------------------------------------------------------	--------------------	----------------------------------------------------------------------------------------------------------------	--------------------------------------------------------------------------------------

Step 3 Order cable mounting kit (one per R4-EM latch). See page 36 to select the kit to match your application.

			
R4-EM-52	R4-EM-72	R4-EM-87	R4-EM-952



R4-EM Electronic Rotary Latch

Strikers

Material and Finish

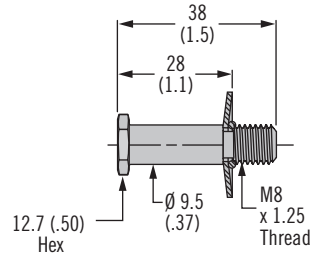
Striker bolts: Steel, zinc plated or stainless steel

Cast strikers: Zinc alloy

***Note:** Latch and striker installation details can be found on the latch trade drawing at www.southco.com.

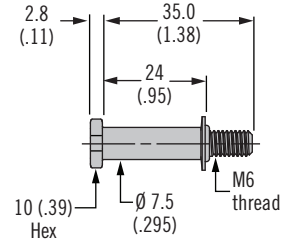
Striker Bolt - Large

Part number R4-90-121-10
R4-90-121-20



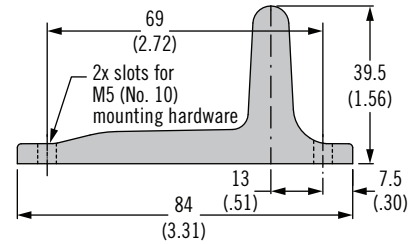
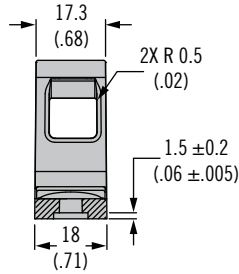
Striker Bolt - Small






Part number R4-90-511-20

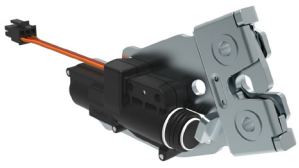


Cast Striker with Door Sensor Part number R4-90-804-10*

Cast Striker without Door Sensor Part number R4-90-800-10*



	Striker Bolt		Cast Striker	
	R4-90-121-XX	R4-90-511-20	R4-90-800-10	R4-90-804-10
 R4-EM-9	✓		✓	✓
 R4-EM-8	✓		✓	✓
 R4-EM-5 & 7	✓		✓	
 R4-EM-4 & 6		✓		
 R4-EM-1 & 2	✓		✓	



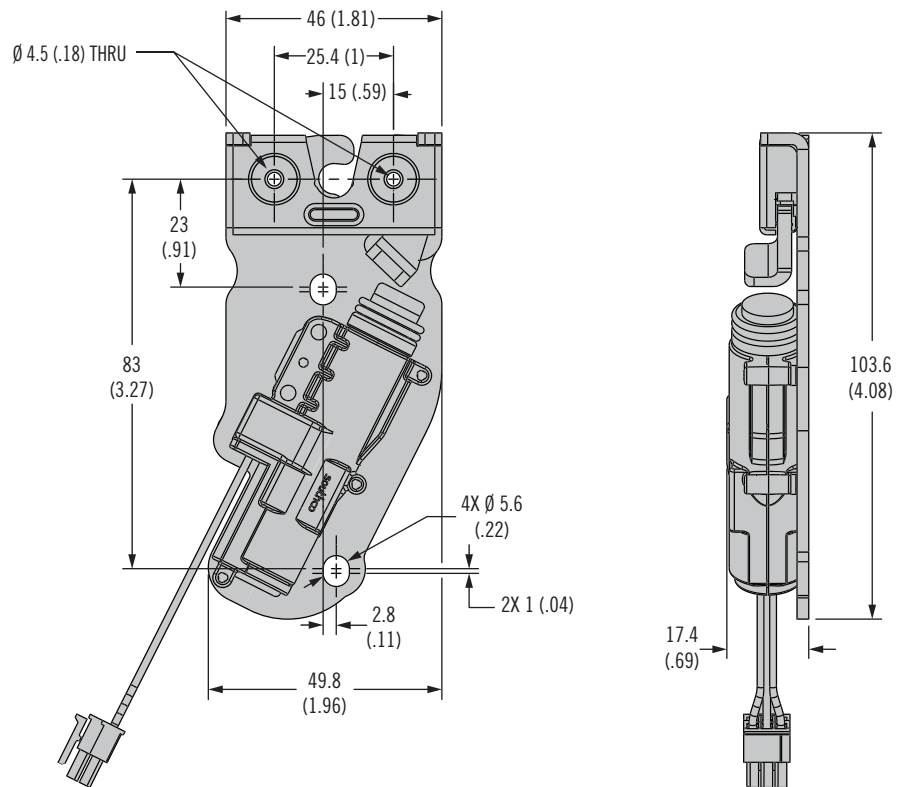
R4-05 Electronic Rotary Latch

Compact · Sealed · Electronic Access

- Push-to-close, electronic release, pull-to-open
- Versatile rotary mechanism
- Concealed latching
- Minimal power draw

Wire Color Code / Connector Pin Assignment:

PIN 1: Extend (+), Orange Wire
 PIN 2: Retract (+), Red Wire
 PIN 3: Ground (-), Black Wire
 PIN 4: Not used
 PIN 5: Not used
 PIN 6: Not used

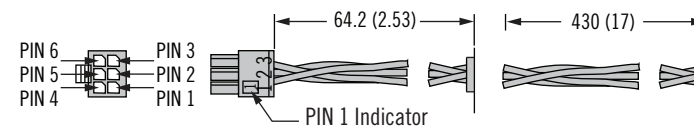


Latch Wiring Connections

With Connector

Molex Microfit 3.0 series

Without connector



Part Number Selection

R4 - 05 - 5 **B** - 9E **C** 1 - 20

B Base Mounting Style

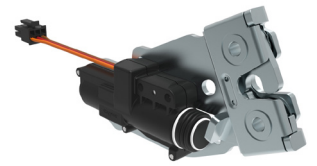
- 0 Thru holes
- 5 Adhesive backing

C Connector Options

- B 12V, with connector
- F 5V, with connector
- K 12V, without connector
- P 5V, without connector

R4-05 Electronic Rotary Latch

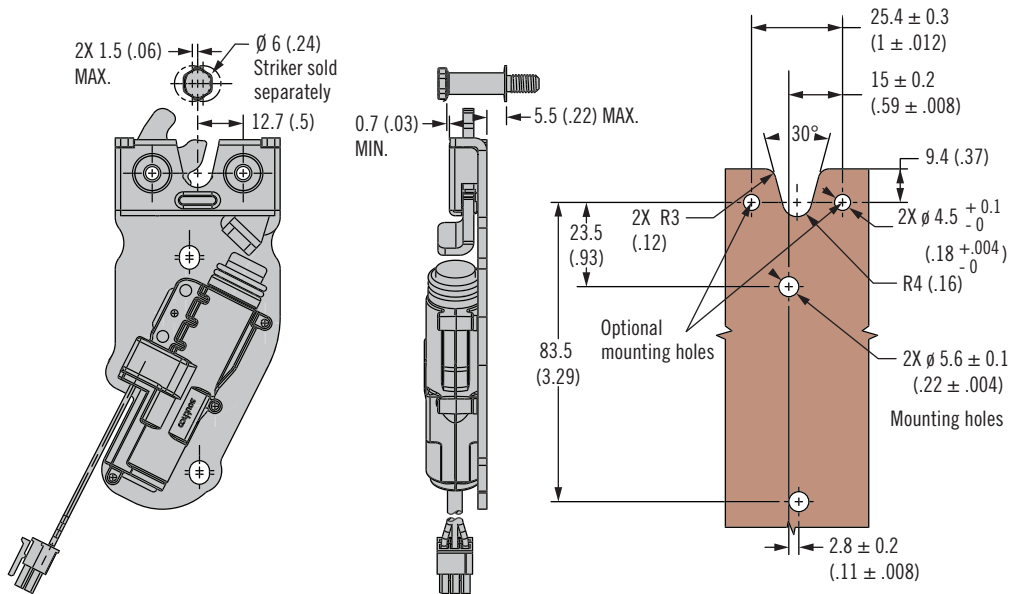
Compact · Sealed · Electronic Access



36B

Installation

Panel Preparation



Material & Finish

Mechanism:

Housings: Stainless Steel

Cam, trigger: Stainless Steel

Springs: Steel, zinc plated

Pins: Stainless Steel

Electronic Actuator:

Enclosure, Output Cam: Nylon, Acetal

Housing Assembly Screws:

Stainless Steel

Electrical Specifications

Supply Voltage: 5 or 12VDC

Operating Current:

Less than 300 mA

Operating Temperature:

-20°C - 60°C

Operating Humidity: 85% max

No condensation

Notes:

Connector version uses Molex brand Microfit 3.0

Visit southco.com to download further installation and operation details.

Electronic Actuators

See page 48



Surface Mounted Strikers

See page 290



Rod Mounted Strikers

See page 233A - 233B



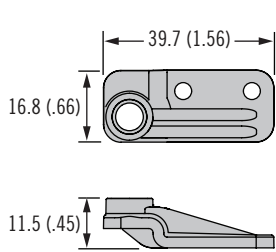
R4-EM Electronic Rotary Latch

Cable mounting kits

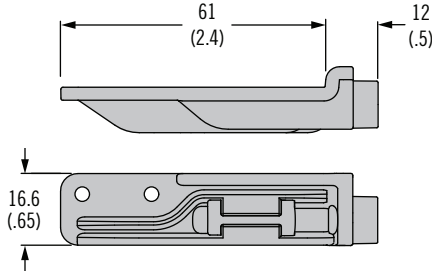


Cable Mounting Kit

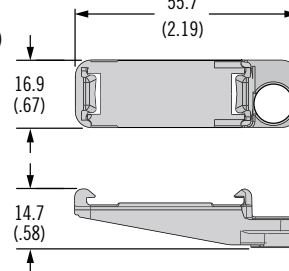
Part number R4-EM-52 – Rivets included
 Part number R4-EM-72 – Screws included



Part number R4-EM-87 – Rivets included








Part number R4-EM-952



Material and Finish

Cable mounting kits: Glass-filled nylon, black

***Note:** Latch and striker installation details can be found on the latch trade drawing at www.southco.com.

	Cable Mounting Kit			
	R4-EM-52	R4-EM-72	R4-EM-87	R4-EM-952
 R4-EM-9				✓
 R4-EM-8				
 R4-EM-5 & 7	✓		✓	
 R4-EM-4 & 6		✓		
 R4-EM-1 & 2	✓		✓	