



V7 Draw Latch

Over-center · Zinc alloy

- Sleek, smooth low profile design
- Locking and non-locking
- Robust, riveted, tamper-resistant construction

Material and Finish

Zinc alloy, chrome plated or powder coated and stainless steel

Performance Details

Maximum working load:
1200 N (270 lbf)

Installation Notes

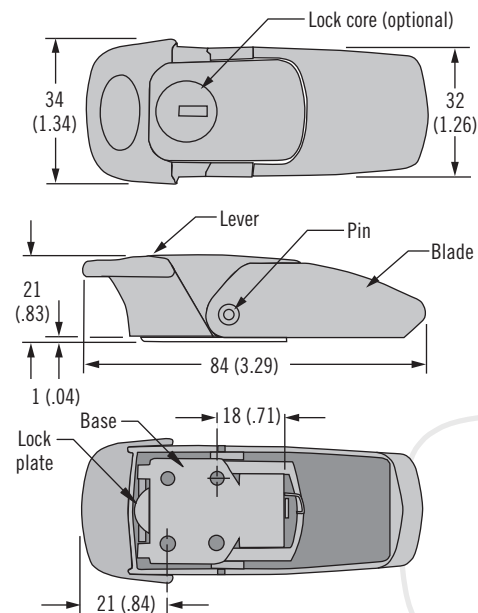
Install latch with four M3 (No.4) flat head screws and keeper with two M3 (No.4) round head screws (not supplied)

Keys

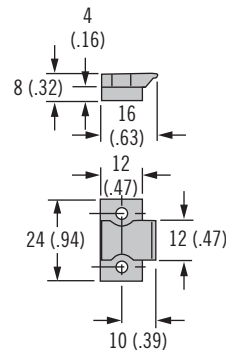
Key code S010 (pair)
Part number: V7-KEYS

Latch

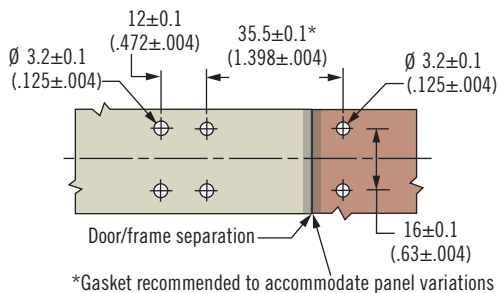
Large



Keeper



ACTUAL SIZE



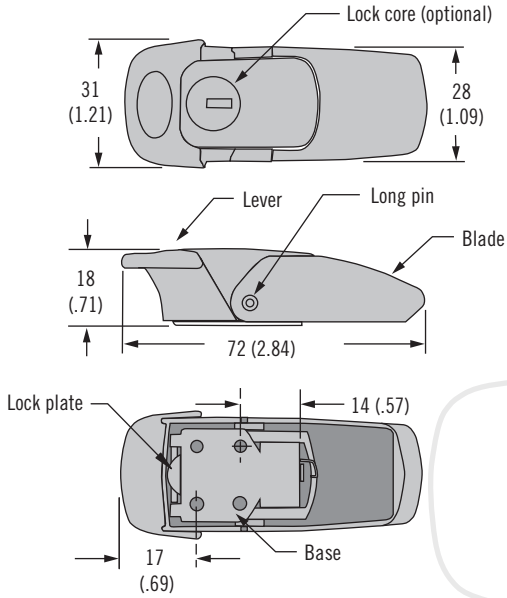
Part Number

See table

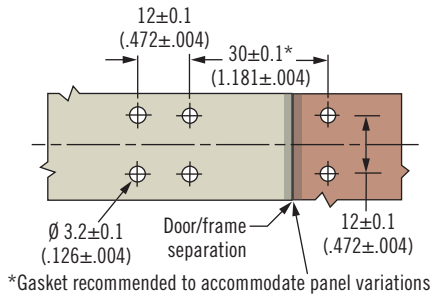
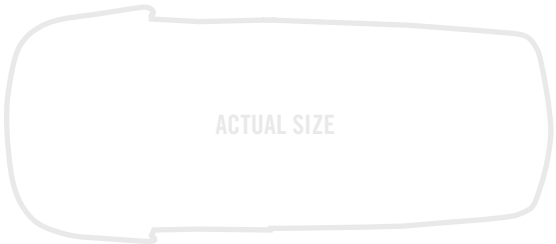
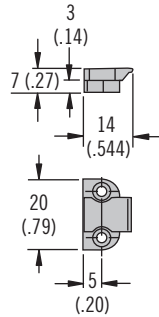
Assembly complete with keeper

Description	Part Number		
	Bright Chrome	Satin Chrome	Black Powder Coated
Large, non-locking	V7-20-101-10	V7-20-101-20	V7-20-101-50
Large, locking (2 keys supplied)	V7-20-111-10	V7-20-111-20	V7-20-111-50

Latch
Small



Keeper



Description	Part Number		
	Bright Chrome	Satin Chrome	Black Powder Coated
Small, non-locking	V7-10-105-10	V7-10-105-20	V7-10-105-50
Small, locking (2 keys supplied)	V7-10-115-10	V7-10-115-20	V7-10-115-50

Part Number

See table

Assembly complete with keeper