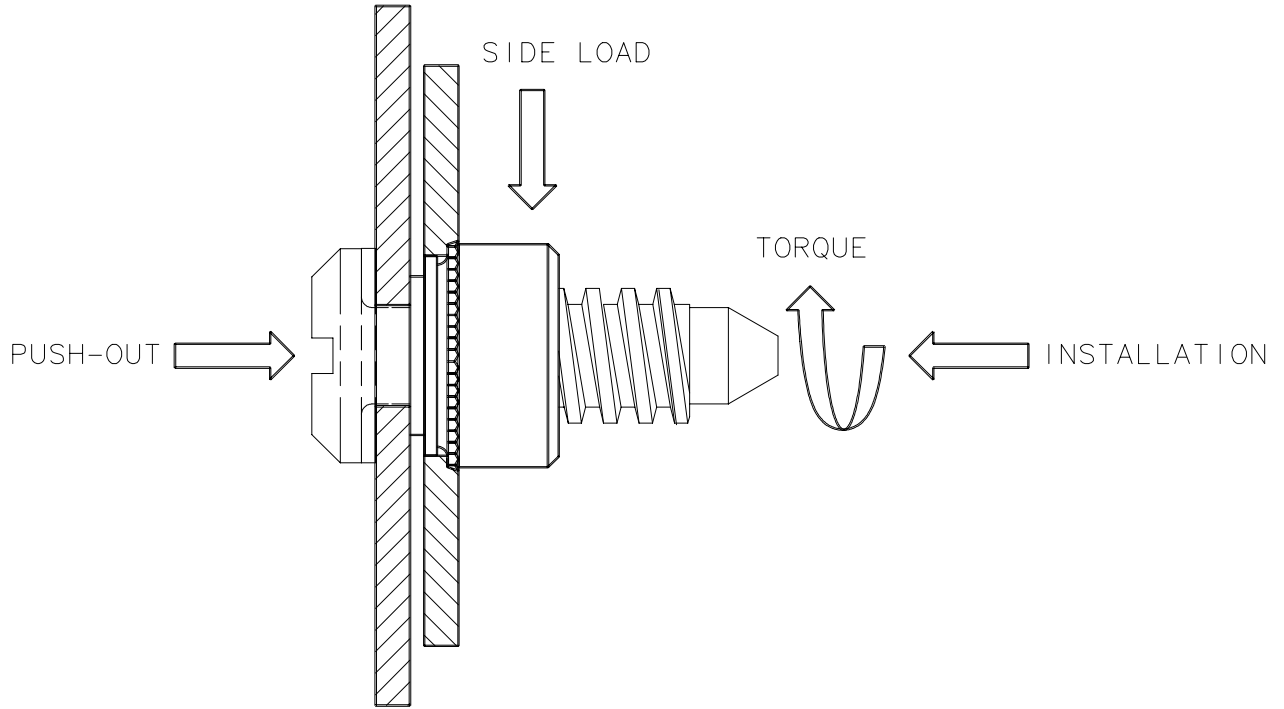


General Performance Guidelines

The information shown on this page was determined under one set of test conditions and is supplied as a general guide only, as conditions vary with each application. Strength data given is for failure of the product or for sufficient deformation to make the product inoperable. No safety factor has been applied. It is recommended that the user test the product for his particular application.



RECEPTACLE	MAX. INSTALLATION FORCE N(LBS)	AVG. PUSH-OUT FORCE N(LBS)	AVG. SIDE LOAD FORCE N(LBS)	AVG. TORQUE TO FAILURE N-m(in-lbs) (NOTE 2)	MAX. RECOMMENDED TORQUE N-m(in-lbs)
09-44-101-11	13000 (2922)	1340 (300)	390 (87)	4.5 (40)	2.5 (22)

1. RECEPTACLE WAS INSTALLED AND TESTED IN 1.2 mm (.048 in.) LOW CARBON STEEL.
2. FAILURE OCCURRED IN THE BREAKAGE OF THE SCREW SHANK.