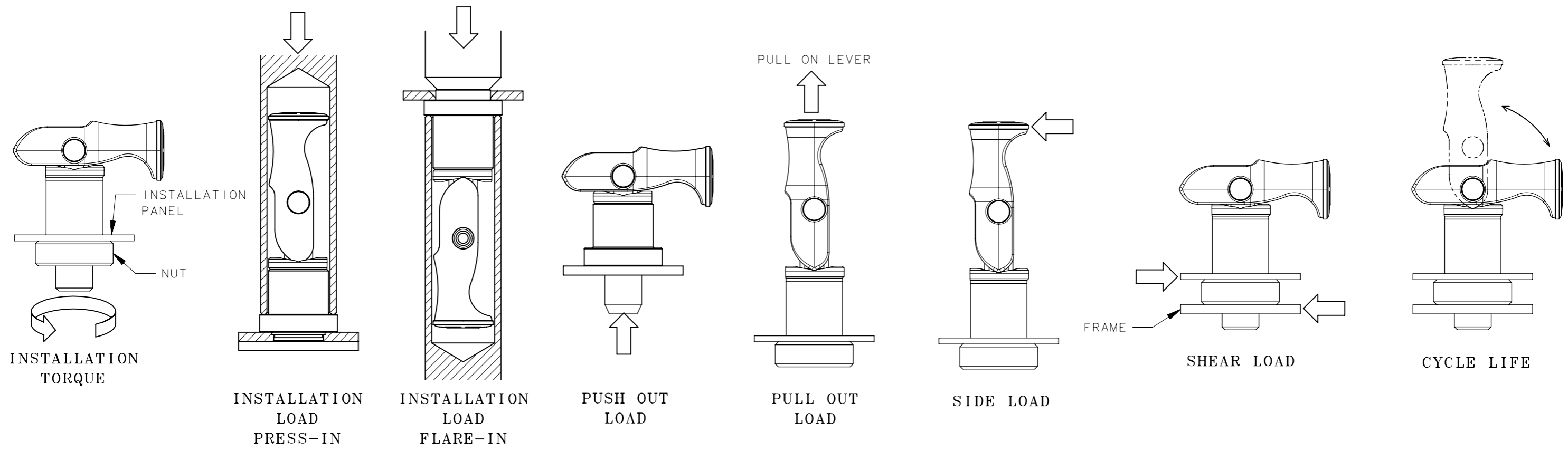


REVISION HISTORY			
REV	DATE	BY	DESCRIPTION
B	19NOV2019	MJS/RES	PRN: P2019-2847

SOUTHCO PERFORMANCE GUIDELINES:

THE PERFORMANCE GUIDELINES SHOWN ON THIS PAGE ARE SUPPLIED AS A GENERAL GUIDE ONLY, AS CONDITIONS VARY WITH EACH APPLICATION AND METHOD OF INSTALLATION, STRENGTH DATA GIVEN IS FOR FAILURE OF THE PRODUCT OR FOR SUFFICIENT DEFORMATION TO MAKE THE PRODUCT INOPERABLE. NO SAFETY FACTOR HAS BEEN APPLIED IT IS RECOMMENDED THAT THE USER REQUEST A PRODUCT SAMPLE FOR TESTING TO DETERMINE THE SUITABILITY OF THE PRODUCT FOR THE PURPOSE INTENDED AND USER'S PARTICULAR APPLICATION.



ASSEMBLY PART NUMBER	INSTALLATION PANEL THICKNESS	OPTIMUM INSTALLATION TORQUE N-cm (in-lbf)	OPTIMUM INSTALLATION LOAD N (lbf)	MAXIMUM ALLOWED PUSH OUT LOAD N (lbf)	MAXIMUM ALLOWED PULL OUT LOAD N (lbf)	MAXIMUM ALLOWED SIDE LOAD N (lbf)	MAXIMUM ALLOWED SHEAR LOAD N (lbf)	CYCLE LIFE
56-401-EEE	1 mm	160 (14)			550 (120)	100 (22)	1000 (225)	2500 OPEN-CLOSE
56-461-EEE	1.56 mm		10000 (2250)	1000 (225)	550 (120)	100 (22)	1000 (225)	2500 OPEN-CLOSE
56-471-1-EEE	1.42 mm		2500 (560)	1000 (225)	550 (120)	100 (22)	1000 (225)	2500 OPEN-CLOSE
56-471-2-EEE	2.84 mm		2500 (560)	1000 (225)	550 (120)	100 (22)	1000 (225)	2500 OPEN-CLOSE
56-481-EEE	1.3 mm	160 (14)		1000 (225)	550 (120)	100 (22)	1000 (225)	2500 OPEN-CLOSE

REF: tr56-38294; tr-56-39138

CPB NUMBER 2018-0595	THIRD ANGLE PROJECTION	southco [®] CONNECT • CREATE • INNOVATE
	MILLIMETERS [IN]	
	TOLERANCES UNLESS OTHERWISE NOTED	DESCRIPTION QUICK ACCESS FASTENER LEVER OPERATED PLUNGER
PROPRIETARY ITEM <small>EXCEPT FOR USES EXPRESSLY GRANTED IN WRITING, INFORMATION DISCLOSED HEREON IS CONFIDENTIAL AND ALL RIGHTS, PATENT AND OTHERWISE, ARE RESERVED BY SOUTHCO, INC.</small>	ALL DIMENSIONS WITHOUT TOLERANCES ARE FOR REFERENCE ONLY.	SIZE A3
	PER ASME Y14.5M-1994	SYSTEM NX
		DWG NO. TD-56-4S-J
		DRAWN BY MJS
		DATE 07AUG2019
		SCALE 2:1
		SHEET 1 OF 1