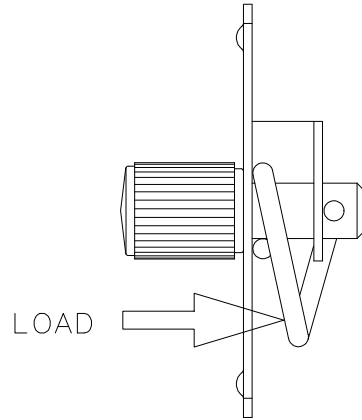


REV B	DATE 09APR2002	DRAWN/CHKD GDM	DESCRIPTION UPDATE FORMAT		SOUTHCO No.57 SPRING LATCH - 10 SERIES	DATE 10 OCT 72	DRAWN PEK	CHKD	SCALE NTS	DRAWING NUMBER TD-57-1
	PROPRIETARY ITEM - EXCEPT FOR USES EXPRESSLY GRANTED IN WRITING, INFORMATION DISCLOSED HEREON IS CONFIDENTIAL AND ALL RIGHTS, PATENT AND OTHERWISE ARE RESERVED BY SOUTHCO, INC.		THIRD ANGLE PROJECTION			PAPER SIZE A				

SOUTHCO PERFORMANCE GUIDELINES  
 THE PERFORMANCE GUIDELINES SHOWN ON THIS PAGE ARE SUPPLIED AS A GENERAL GUIDE ONLY, AS CONDITIONS VARY WITH EACH APPLICATION AND METHOD OF INSTALLATION. STRENGTH DATA GIVEN IS FOR FAILURE OF THE PRODUCT OR FOR SUFFICIENT DEFORMATION TO MAKE PRODUCT INOPERABLE. NO SAFETY FACTOR HAS BEEN APPLIED. IT IS RECOMMENDED THAT THE USER REQUEST A PRODUCT SAMPLE FOR TESTING TO DETERMINE THE SUITABILITY OF THE PRODUCT FOR THE PURPOSE INTENDED AND USER'S PARTICULAR APPLICATION.



No.57 SPRING LATCH - 10 SERIES

"GRIP" OF SPRING (FRAME OR STRIKER THICKNESS)	LOAD APPLIED BY THE SPRING WHEN ENGAGED
1.6 mm (.03 inch)	13.4 N (3 LBS)
3.2 mm (.13 inch)	31.1 N (7 LBS)
4.8 mm (.19 inch)	48.9 N (11 LBS)
6.4 mm (.25 inch)	80.0 N (18 LBS)
8.0 mm (.31 inch)	106.6 N (24 LBS)
9.6 mm (.38 inch)	137.9 N (31 LBS)

SPRING IS FULLY COMPRESSED AT APPROXIMATELY 178 N (40 LBS).  
 ADDITIONAL LOAD WILL CAUSE THE SPRING TO DEFLECT OFF THE  
 FRAME OR BE PERMANENTLY DAMAGED.

VIBRATION : LATCH ASSEMBLY, VIBRATED IN LOCKED POSITIONS AT MINIMUM  
 AND MAXIMUM GRIP AT 1/16 AMPLITUDE AND 20 HERTZ TO 80 HERTZ  
 VARYING FREQUENCY. IT DIDN'T VIBRATE INTO UNLATCHED POSITION  
 AFTER 6 HOURS OF VIBRATION AT EACH GRIP LENGTH.