

southco®REV B
DATE 09APR2002
DRAWN/CHKD GDM

PROPRIETARY ITEM - EXCEPT FOR USES EXPRESSLY GRANTED IN WRITING INFORMATION DISCLOSED HEREON, IS CONFIDENTIAL AND ALL RIGHTS, PATENT AND OTHERWISE ARE RESERVED BY SOUTHCO, INC.

DESCRIPTION
UPDATE FORMAT

SOUTHCO No.57 SPRING LATCH - 40 SERIES

DATE
23 OCT 74

DRAWN PEK

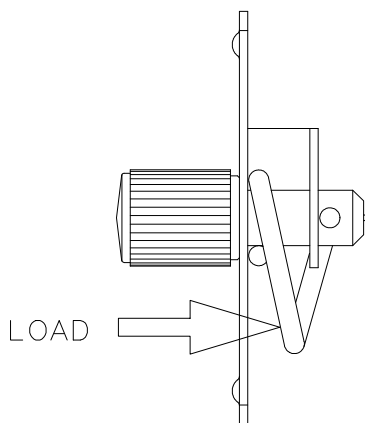
CHKD

SCALE
NTSDRAWING NUMBER
TD-57-4

THIRD ANGLE PROJECTION

A
PAPER
SIZE

SOUTHCO PERFORMANCE GUIDELINES
 THE PERFORMANCE GUIDELINES SHOWN ON THIS PAGE ARE SUPPLIED AS A GENERAL GUIDE ONLY, AS CONDITIONS VARY WITH EACH APPLICATION AND METHOD OF INSTALLATION. STRENGTH DATA GIVEN IS FOR FAILURE OF THE PRODUCT OR FOR SUFFICIENT DEFORMATION TO MAKE PRODUCT INOPERABLE. NO SAFETY FACTOR HAS BEEN APPLIED. IT IS RECOMMENDED THAT THE USER REQUEST A PRODUCT SAMPLE FOR TESTING TO DETERMINE THE SUITABILITY OF THE PRODUCT FOR THE PURPOSE INTENDED AND USER'S PARTICULAR APPLICATION.



No.57 SPRING LATCH - 40 SERIES

"GRIP" OF SPRING (FRAME OR STRIKER THICKNESS)	LOAD APPLIED BY THE SPRING WHEN ENGAGED
2.4 mm (.09 inch)	8.9 N (2.0 LBS)
4.8 mm (.19 inch)	57.8 N (13.0 LBS)
8.0 mm (.31 inch)	115.6 N (26.0 LBS)
11.2 mm (.44 inch)	178.0 N (40.0 LBS)
14.4 mm (.56 inch)	235.7 N (53.0 LBS)