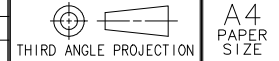


REV	DATE	DRAWN/CHKD	DESCRIPTION
A	7MAY99	GDM	SEE RECORD PRINT
B	09APR2002	GDM	UPDATE FORMAT

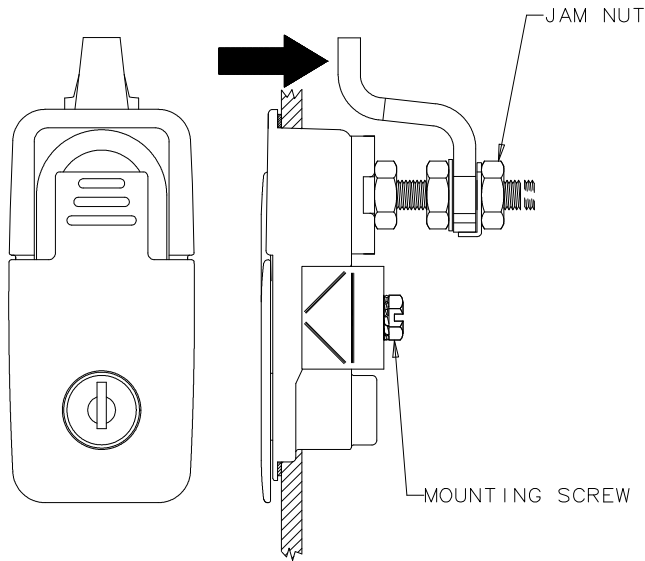


SOUTHCO PERFORMANCE GUIDELINES

THE PERFORMANCE GUIDELINES SHOWN ON THIS PAGE ARE SUPPLIED AS A GENERAL GUIDE ONLY, AS CONDITIONS VARY WITH EACH APPLICATION AND METHOD OF INSTALLATION. STRENGTH DATA GIVEN IS FOR FAILURE OF THE PRODUCT OR FOR SUFFICIENT DEFORMATION TO MAKE PRODUCT INOPERABLE. NO SAFETY FACTOR HAS BEEN APPLIED IT IS RECOMMENDED THAT THE USER REQUEST A PRODUCT SAMPLE FOR TESTING TO DETERMINE THE SUITABILITY OF THE PRODUCT FOR THE PURPOSE INTENDED AND USER'S PARTICULAR APPLICATION.

WORKING LOAD
ULTIMATE LOAD

PART NUMBER: 62-4X-XX1



MAXIMUM RECOMMENDED WORKING LOAD	①	440 N (100 lbf)
AVERAGE ULTIMATE LOAD	②	900 N (205 lbf)
MAXIMUM RECOMMENDED JAM NUT TIGHTENING TORQUE	③	11.3 N·m (100 lbf·in)
MAX. RECOMMENDED MOUNTING SCREW TIGHTENING TORQUE	③	450 N·cm (40 lbf·in)

- ① WORKING LOAD IS THE MAXIMUM FORCE THAT THE PRODUCT WILL WITHSTAND WITHOUT AFFECTING THE OPERATION OR APPEARANCE OF THE PRODUCT.
- ② AVERAGE ULTIMATE LOAD CAUSES FAILURE OF THE PRODUCT OR SUFFICIENT DEFORMATION TO MAKE THE PRODUCT INOPERABLE.
- ③ RECOMMENDED TORQUE IS THE MAXIMUM FORCE THAT THE PRODUCT WILL WITHSTAND WITHOUT AFFECTING THE OPERATION OF THE PRODUCT.