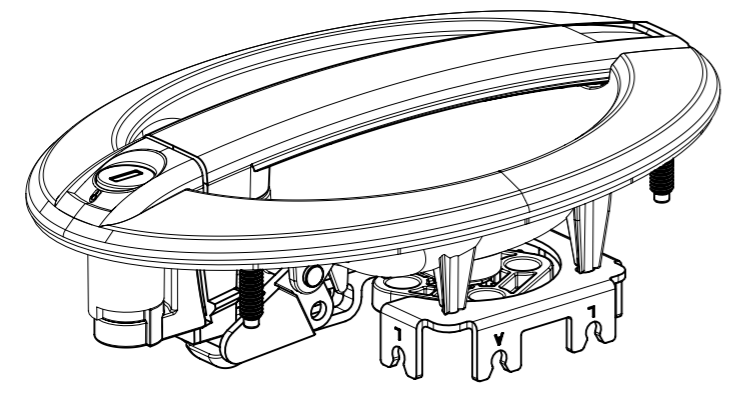


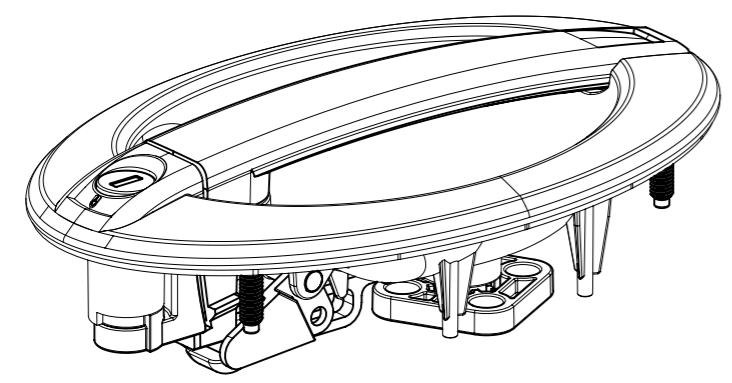
REVISION HISTORY			
REV	DATE	BY	DESCRIPTION
H	29AUG2024	RMD/ASM	PRN: P2024-1264

SOUTHCO PERFORMANCE GUIDELINES

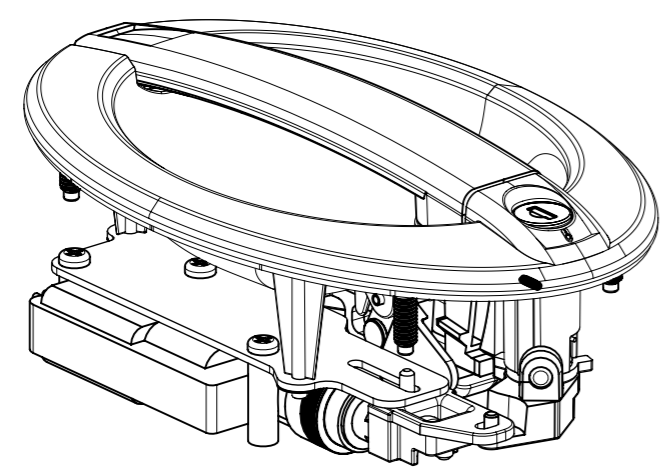
THE PERFORMANCE GUIDELINES SHOWN ON THIS PAGE ARE SUPPLIED AS A GENERAL GUIDE ONLY. AS CONDITIONS VARY WITH EACH APPLICATION AND METHOD OF INSTALLATION, STRENGTH DATA IS GIVEN FOR FAILURE OF THE PRODUCT OR FOR SUFFICIENT DEFORMATION TO MAKE THE PRODUCT INOPERABLE. NO SAFETY FACTOR HAS BEEN APPLIED. IT IS RECOMMENDED THAT THE USER REQUEST A PRODUCT SAMPLE FOR TESTING TO DETERMINE THE SUITABILITY OF THE PRODUCT FOR THE PURPOSE INTENDED AND USER'S PARTICULAR APPLICATION.



AC-11-3Y1-11: MULTIPOINT W/ CABLE BRACKET



AC-11-2Y1-11: MULTIPOINT W/O CABLE BRACKET



AC-11-EM-3Y1-11: MULTI-POINT W/ CABLE BRACKET & LOCK/UNLOCK ELECTRONIC ACTUATOR

	AVERAGE ULTIMATE STRENGTH		INSTALLATION TORQUE	CYCLE LIFE
	LOCKED	UNLOCKED		
AC-11-3Y1-11	1855 N	3110 N	7 N-m MAX	40,000
AC-11-2Y1-11				
AC-11-EM-3Y1-11	1590 N	2810 N		

1. ULTIMATE STRENGTH TESTS WERE PERFORMED WITH PART NUMBER AC-11-341-11 AND AC-11-EM-311-11
2. CONSULT SOUTHCO FOR OTHER TECHNICAL DETAILS
3. CYCLE TEST PERFORMED WITH 35LB ON THE ROTATOR PLATE

NOTE:
SOUTHCO ACTUATOR USED IN A PASSENGER RESTRAINT SYSTEM MUST BE FULLY TESTED IN THE DOOR SYSTEM

trAC-36068, trAC-36069, trAC-40653, trAC-40654,

THIRD ANGLE PROJECTION		southco [®] CONNECT • CREATE • INNOVATE	
MILLIMETERS [IN]			
TOLERANCES UNLESS OTHERWISE NOTED		DESCRIPTION CUPPED HANDLE ACTUATOR FLUSH MOUNT - OVAL	
ALL DIMENSIONS WITHOUT TOLERANCES ARE FOR REFERENCE ONLY.		SIZE A3	SYSTEM NX
PROPRIETARY ITEM EXCEPT FOR USES EXPRESSLY GRANTED IN WRITING, INFORMATION DISCLOSED HEREON IS CONFIDENTIAL AND ALL RIGHTS, PATENT AND OTHERWISE, ARE RESERVED BY SOUTHCO, INC.		DWG NO. TD-AC-11	
PER ASME Y14.5M-2009		DRAWN BY PK/AJT	DATE 20MAR2019
		SCALE 1:2	SHEET 1 OF 1