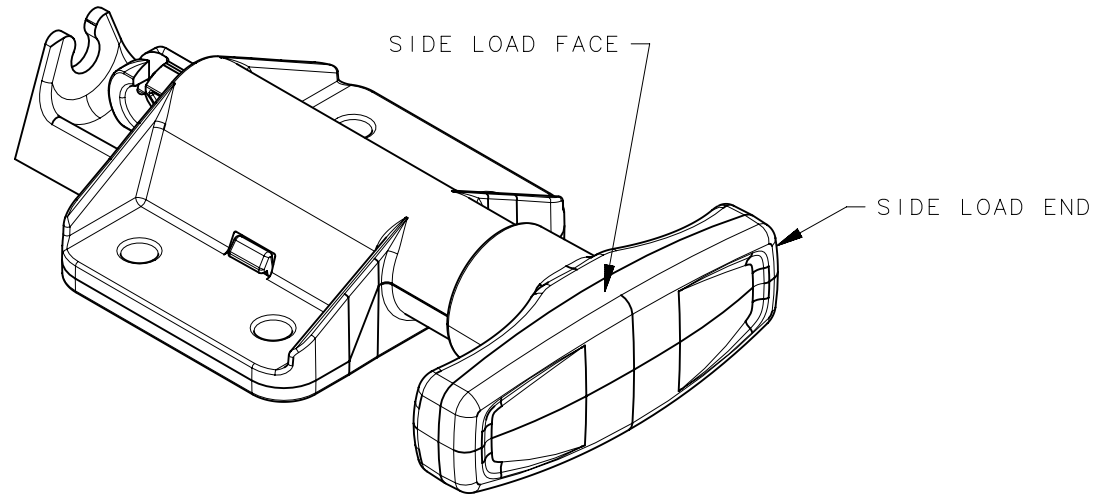


REVISION HISTORY			
REV	DATE	BY	DESCRIPTION
A	30JAN2017	CMS/JW	PRN: P2017-0261

SOUTHCO PERFORMANCE GUIDELINES

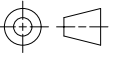

THE PERFORMANCE GUIDELINES SHOWN ON THIS PAGE ARE SUPPLIED AS A GENERAL GUIDE ONLY. AS CONDITIONS VARY WITH EACH APPLICATION AND METHOD OF INSTALLATION, STRENGTH DATA IS GIVEN FOR FAILURE OF THE PRODUCT OR FOR SUFFICIENT DEFORMATION TO MAKE THE PRODUCT INOPERABLE. NO SAFETY FACTOR HAS BEEN APPLIED. IT IS RECOMMENDED THAT THE USER REQUESTS A PRODUCT SAMPLE FOR TESTING TO DETERMINE THE SUITABILITY OF THE PRODUCT FOR THE PURPOSE INTENDED AND USER'S PARTICULAR APPLICATION.



PART NUMBER	EFFORT OPENING FREE STATE	ULTIMATE TENSILE HANDLE STRENGTH	ULTIMATE TORQUE HANDLE		CYCLE	ULTIMATE SIDE LOAD FACE		ULTIMATE SIDE LOAD END	
			CLOSED	OPEN		CLOSED	OPEN	CLOSED	OPEN
AC-60-101-11	9N	380N	800Ncm	300Ncm	25,000	1800N	950N	1160N	300N

NOTES:

1. CYCLE TEST WERE PERFORMED WITH SOUTHCO CABLE HOOKUP WITH A 60N LOAD.
2. ULTIMATE STRENGTH FORCE (FACE LOAD/END LOAD) IS THE FORCE THAT DESTROYS ACTUATOR HANDLE.
3. CONSULT SOUTHCO FOR OTHER TECHNICAL DETAILS.

		THIRD ANGLE PROJECTION				 CONNECT • CREATE • INNOVATE					
		MILLIMETERS [IN]									
		TOLERANCES UNLESS OTHERWISE NOTED		DESCRIPTION		AC-60 ACTUATOR HANDLE					
		UP TO 0.5 ±0.05		OVER 0.5 UP TO 6 ±0.1		OVER 6 UP TO 30 ±0.2		OVER 30 ±0.3		ANGLES ±1°	
<small>PROPRIETARY ITEM EXCEPT FOR USES EXPRESSLY GRANTED IN WRITING, INFORMATION DISCLOSED HEREON IS CONFIDENTIAL AND ALL RIGHTS, PATENT AND OTHERWISE, ARE RESERVED BY SOUTHCO, INC.</small>		PER ASME Y14.5M-1994		SIZE A4	SYSTEM NX	DWG NO. TD-AC-60					
trAC-02				DRAWN BY CMS/JW	DATE 30JAN2017	SCALE 1:1	SHEET 1 OF 1				