

6

5

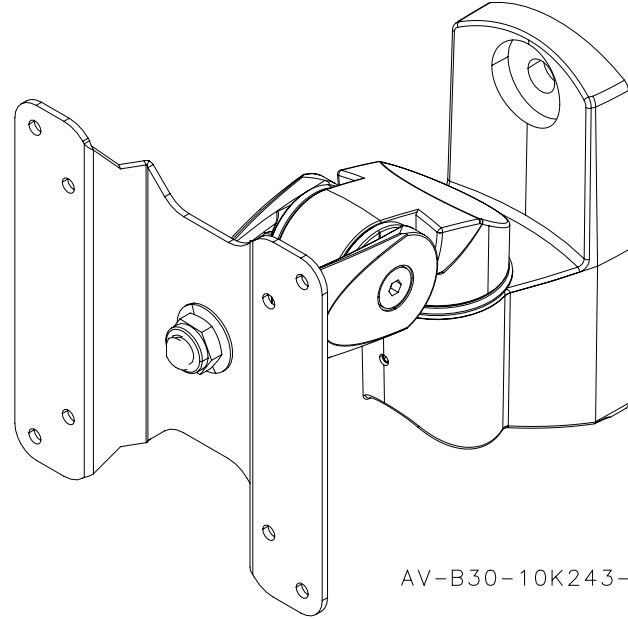
4

3

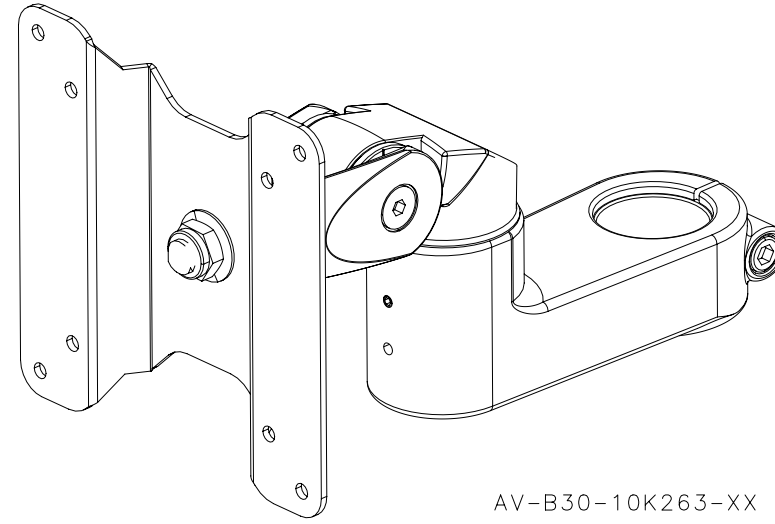
2

1

REVISION HISTORY			
REV	DATE	BY	DESCRIPTION
B	22SEP2020	CRM/DMS	PRN: P2020-1779



AV-B30-10K243-XX



AV-B30-10K263-XX

NOTES:

- TEST DATA FROM SOUTHCO TEST REPORT trAV-40512 AND trAV-43182. LOAD TESTS WERE PRIMARILY CONDUCTED WITH WALL MOUNT VERSIONS. ULTIMATE LOAD TESTING WAS CONDUCTED WITH FORCE APPLIED AT MOUNTING PLATE.

PART NUMBERS	SWIVEL TORQUE Nm (lbf*in)	MAX DISPLAY WEIGHT Kg (lb)	AVERAGE ULTIMATE LOAD N (lbf)
AV-B30-10K243-XX	ADJUSTABLE BY TOOL	14 (31)	920 (206)
AV-B30-10K263-XX			

THIRD ANGLE PROJECTION		southco [®] CONNECT • CREATE • INNOVATE	
MILLIMETERS [IN]			
TOLERANCES UNLESS OTHERWISE NOTED		DESCRIPTION	
UP TO 0.5 ±0.05		HINGE & CONTROLLED MOTION DEVICE	
OVER 0.5 UP TO 6 ±0.1		TILT, SWIVEL	
OVER 6 UP TO 30 ±0.2		SIZE	DWG NO.
OVER 30 ±0.3		B	NX
ANGLES ±1°		TD-AV-B30-10K-J	
PER ASME Y14.5M-1994		DRAWN BY	DATE
		SKB	29JAN2020
		SCALE	SHEET
		1:2	1 OF 1

6

5

4

3

2

1