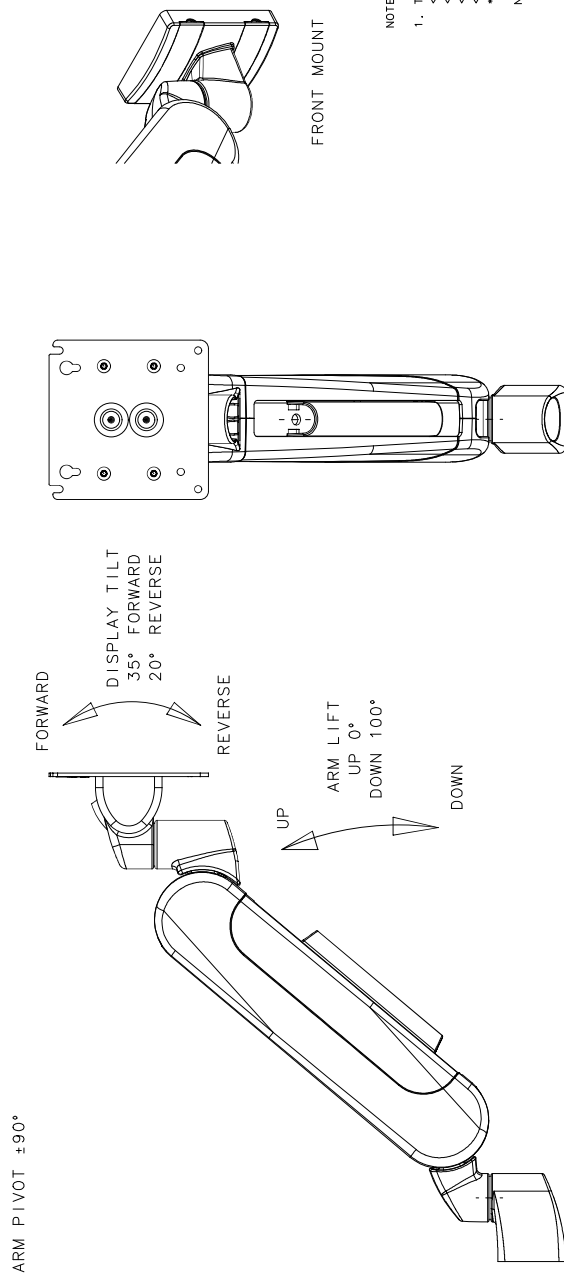
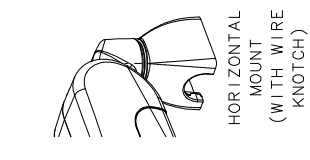
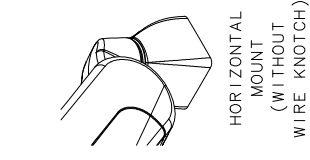
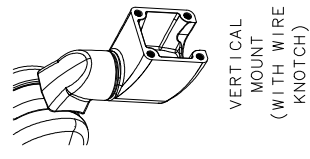
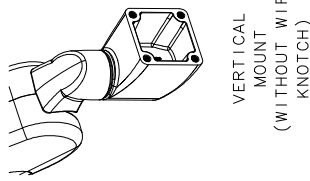


SOUTHCO PERFORMANCE GUIDELINES:
 THE PERFORMANCE GUIDELINES SHOWN ON THIS PAGE ARE SUPPLIED AS A GENERAL GUIDE ONLY, AS CONDITIONS VARY WITH EACH APPLICATION AND METHOD OF INSTALLATION. STRENGTH DATA GIVEN IS FOR FAILURE OF PRODUCT OR FOR SUFFICIENT DEFORMATION TO MAKE THE PRODUCT INOPERABLE, NO SAFETY FACTOR HAS BEEN APPLIED. IT IS RECOMMENDED THAT THE USER REQUEST A PRODUCT SAMPLE FOR TESTING TO DETERMINE THE SUITABILITY OF THE PRODUCT FOR THE PURPOSE INTENDED AND USER'S PARTICULAR APPLICATION.



NOTES:

- TEST DATA FROM THE FOLLOWING SOUTHCO TEST REPORTS:
 <1> TRAV-18175 <5> TRAV-26657
 <2> TRAV-41258 <6> TRAV-38001
 <3> TRAV-41839 <7> TRAV-37486
 <4> TRAV-41840
 *ENGINEERING DERIVED VALUE FROM SUPPORTING TEST DOCUMENTS.
 NOTE: CYCLE AND LOAD TESTS WERE CONDUCTED WITH WALL (VERTICAL PLANE) MOUNT VERSIONS. ULTIMATE LOAD TEST WAS CONDUCTED WITH THE DISPLAY PARALLEL TO THE MOUNTING PLANE AT THE LARGEST LINEAR DISTANCE.

HOUSING STYLE	VERTICAL MOUNT PART NUMBERS (SEE NOTES)	DISPLAY TILT TORQUE N·m (lb·ft·in)	DISPLAY TILT FORWARD TORQUE N·m (lb·ft·in)	SWIVEL TORQUE <5> N·m (lb·ft·in)	ARM PIVOT TORQUE <5> N·m (lb·ft·in)	WORKING LOAD RATING PER UL 1678 N (lbm)	AVERAGE ULTIMATE LOAD N (lbm)	SWIVEL AND PIVOT STOP ULTIMATE TORQUE <1,7>* N·m (lb·ft·in)	CYCLE LIFE <1,2,3,4,5,6>
VERTICAL WITHOUT WIRE NOTCH	AV-D32-30V101-YY	7.9 (70)	2.26 (20)	4.29 N·m (38 lb·ft·in)	6.0 N·m (53.1 lb·ft·in)	70 (15.7)	<5>	<1,2,3,4,5,6>	20,000
	AV-D32-30V102-YY	15.36 (136)	2.26 (20)	3.8 N·m (33 lb·ft·in)	NOMINAL / 4.2 N·m (37.1 lb·ft·in)	100 (22.5)			
	AV-D32-30V103-YY	8.59 (76)	6.01 (53.2)	2.71 N·m (24 lb·ft·in)	MINIMUM	70 (15.7)			
VERTICAL WITH WIRE NOTCH	AV-D32-30V111-YY	7.9 (70)	2.2 (19.5)	4.29 N·m (38 lb·ft·in)	6.0 N·m (53.1 lb·ft·in)	70 (15.7)			20,000
	AV-D32-30V112-YY	15.36 (136)	2.26 (20)	3.8 N·m (33 lb·ft·in)	NOMINAL / 4.2 N·m (37.1 lb·ft·in)	100 (22.5)			
	AV-D32-30V113-YY	8.59 (76)	6.01 (53.2)	2.71 N·m (24 lb·ft·in)	MINIMUM	70 (15.7)			
HORIZONTAL WITHOUT WIRE NOTCH	AV-D32-30V121-YY	7.9 (70)	2.2 (19.5)	4.29 N·m (38 lb·ft·in)	6.0 N·m (53.1 lb·ft·in)	70 (15.7)			20,000
	AV-D32-30V122-YY	15.36 (136)	2.26 (20)	3.8 N·m (33 lb·ft·in)	NOMINAL / 4.2 N·m (37.1 lb·ft·in)	100 (22.5)			
	AV-D32-30V132-YY	8.59 (76)	6.01 (53.2)	2.71 N·m (24 lb·ft·in)	MINIMUM	70 (15.7)			
HORIZONTAL WITH WIRE NOTCH	AV-D32-30V141-YY	7.9 (70)	2.2 (19.5)	4.29 N·m (38 lb·ft·in)	6.0 N·m (53.1 lb·ft·in)	70 (15.7)			20,000
	AV-D32-30V142-YY	15.36 (136)	2.26 (20)	3.8 N·m (33 lb·ft·in)	NOMINAL / 4.2 N·m (37.1 lb·ft·in)	100 (22.5)			
	AV-D32-30V143-YY	8.59 (76)	6.01 (53.2)	2.71 N·m (24 lb·ft·in)	MINIMUM	70 (15.7)			
FRONT MOUNT	AV-D32-30V161-YY	7.9 (70)	2.2 (19.5)	4.29 N·m (38 lb·ft·in)	6.0 N·m (53.1 lb·ft·in)	70 (15.7)			20,000
POLE MOUNT	AV-D32-30V162-YY	15.36 (136)	2.26 (20)	3.8 N·m (33 lb·ft·in)	NOMINAL / 4.2 N·m (37.1 lb·ft·in)	100 (22.5)			
DIN RAIL MOUNT	AV-D32-30V172-YY	8.59 (76)	6.01 (53.2)	2.71 N·m (24 lb·ft·in)	MINIMUM	70 (15.7)			
	AV-D32-30V173-YY	8.59 (76)	6.01 (53.2)	2.71 N·m (24 lb·ft·in)	MINIMUM	70 (15.7)			

REV	DATE	BY	DESCRIPTION
A	12/JAN/2021	CRM/DMS	PRN: P2021-0073

THIRD ANGLE PROJECTION	
MILLIMETERS (IN)	
TOLERANCES UNLESS OTHERWISE NOTED	
ALL DIMENSIONS WITHOUT TOLERANCES ARE FOR REFERENCE ONLY.	
UNLESS OTHERWISE SPECIFIED, ALL DIMENSIONS ARE TO BE PERFORMED TO THE CLOSEST 0.1 MILLIMETER OR 0.005 INCH.	

southco CONNECT-CREATE-INNOVATE
HINGE & CONTROLLED MOTION DEVICE STANDARD ARTICULATING ARM
TYPE: HINGE PART NUMBER: AV-D32-30V1XY-J DRAWN BY: GEA DATE: 03/02/2019 SCALE: 1:1 SHEET 1 OF 1