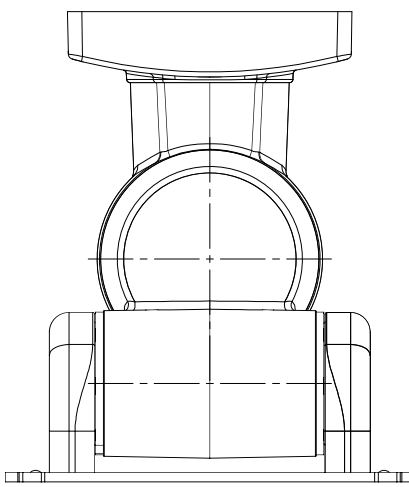
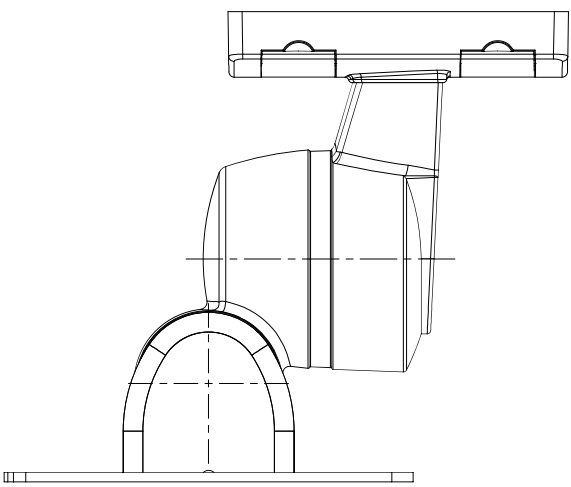
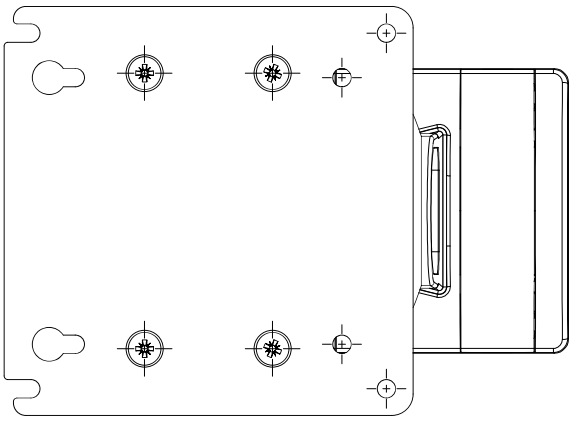
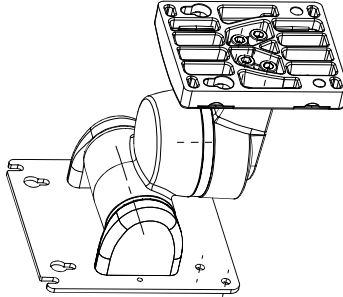


8	7	6	5	4	3	2	1
F		E		D		C	
F		E		D		C	
F		E		D		C	



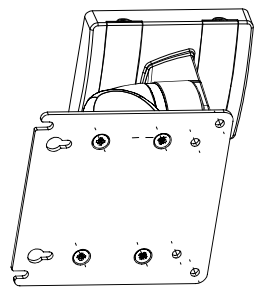
DISPLAY SWIVEL $\pm 90^\circ$



FORWARD (-)

TILT $\pm 20^\circ$

REVERSE (+)



NOTES:

1. TEST DATA FROM SOUTHCO TEST REPORT 1RAV-16829
2. DISPLAY MOUNT ARM WAS CYCLE TESTED FOR SWIVEL AXIS AS COMPLETE ASSEMBLY WITH 23kg TEST DISPLAY PANEL MOUNTED.
3. TILT TORQUE SPECIFICATION AT CYCLE LIFE OF 20,000 CYCLES AT 25% DUTY CYCLE AT SPEEDS LESS THAN 15 RPM.
TILT FORWARD AND TILT REVERSE TORQUE MEASURED WITH THE DISPLAY IN THE VERTICAL, $\pm 5^\circ$, POSITION.
4. ALL LOADINGS TAKEN IN WORST CASE ORIENTATION.
5. APPLIES FOR PART NUMBERS: YY = 50, 60, 61 AND 76

PART NUMBERS	DISPLAY TILT REVERSE TORQUE $\pm 20^\circ$ (Nm)	DISPLAY TILT FORWARD TORQUE (Nm)	SWIVEL TORQUE (Nm)	AVERAGE ULT LOAD (N)	CYCLE LIFE
AV-D40-13K141-YY	7.9	1.13	3.0 NOMINAL 1.5 MINIMUM	ABOVE 2300	20,000
AV-D40-13K142-YY	5.4	1.13			
AV-D40-13K143-YY	5.6	6.26			
AV-D40-13K144-YY	23.1	7.0			

THIRD ANGLE PROJECTION	
MILLIMETERS (IN)	
TOLERANCES - UNLESS OTHERWISE NOTED	
UP TO 0.5	UP TO 0.05
OVER 0.5	UP TO 0.1
OVER 0.5	UP TO 0.3
ANGLES	$\pm 1^\circ$
ASSEMBLY: JTB	
DESIGNED BY: JTB	
CHECKED BY: JTB	
DATE: 07/NOV/2017	
SCALE: 1:1	
SHEET 1 OF 1	

southco
CONNECT-CREATE-INNOVATE

HINGE & CONTROLLED MOTION DEVICE
AV-D40-13KXXX

DATE: 07/NOV/2017
SCALE: 1:1

8	7	6	5	4	3	2	1
F		E		D		C	
F		E		D		C	
F		E		D		C	