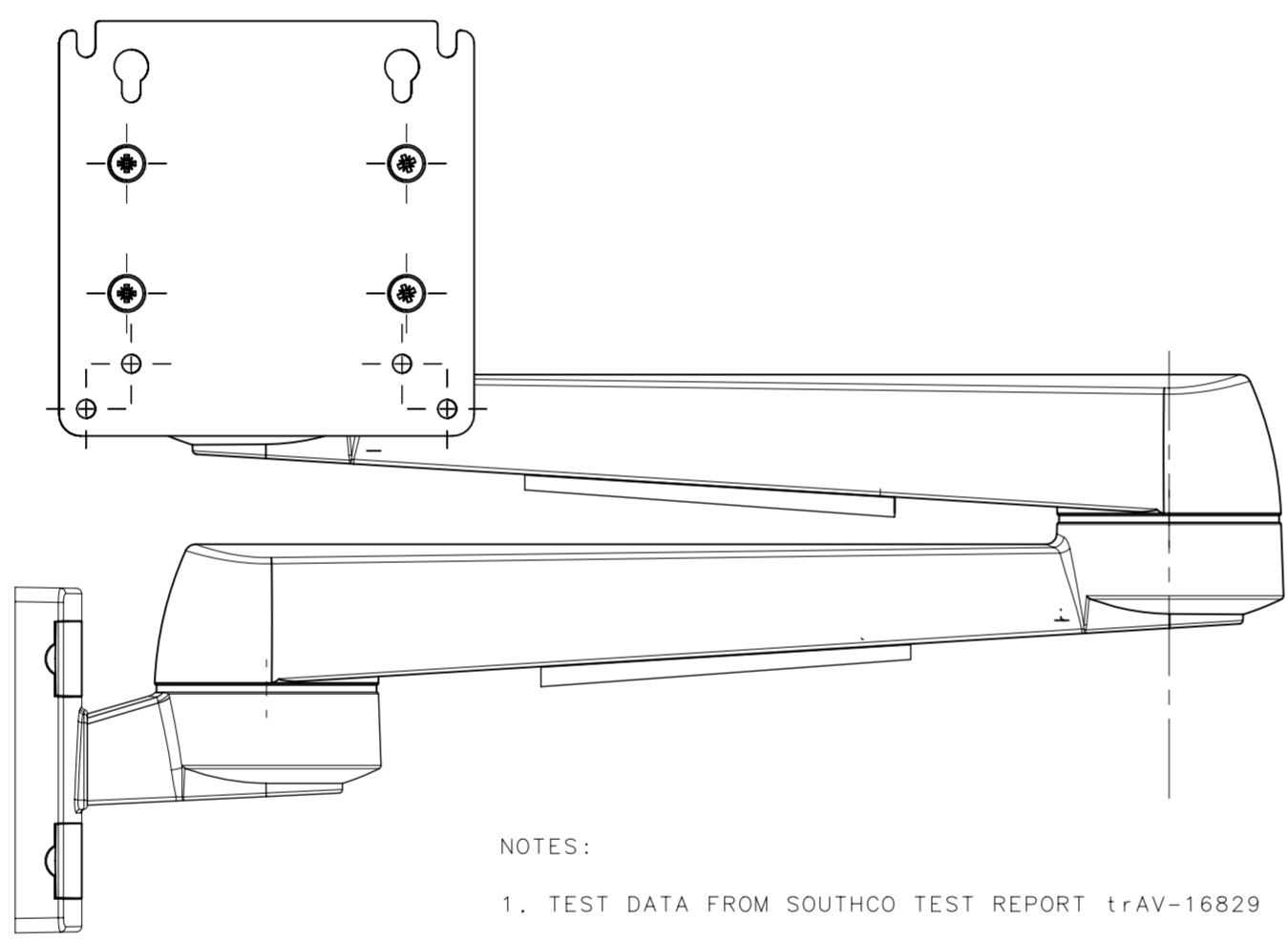
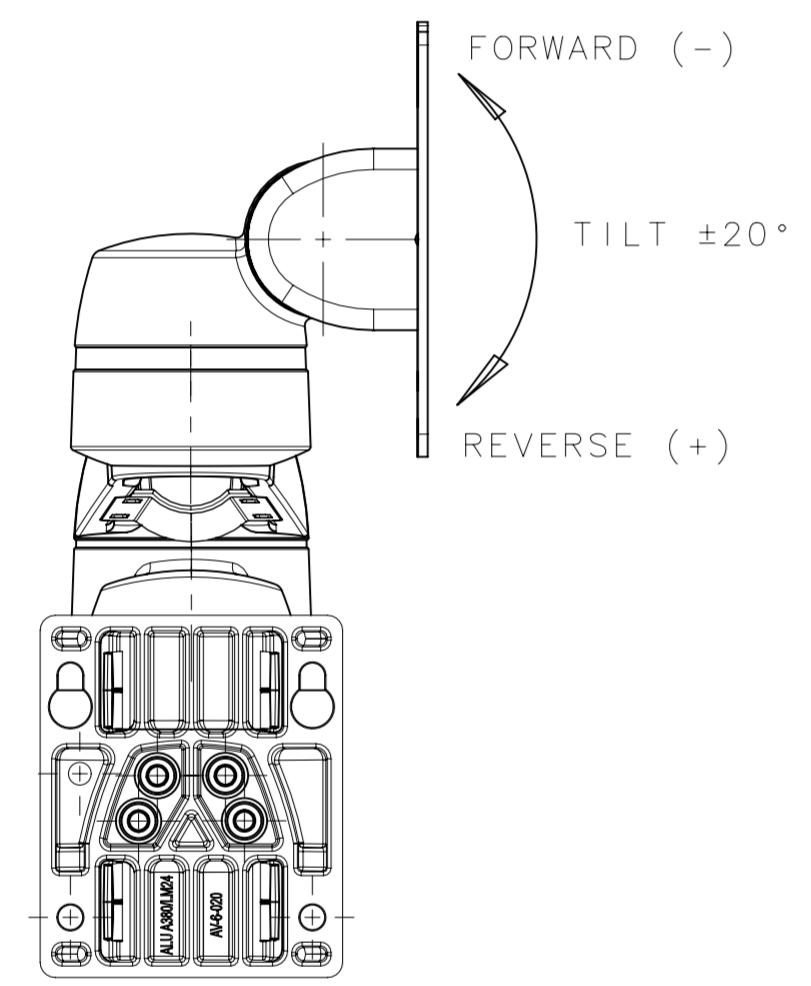
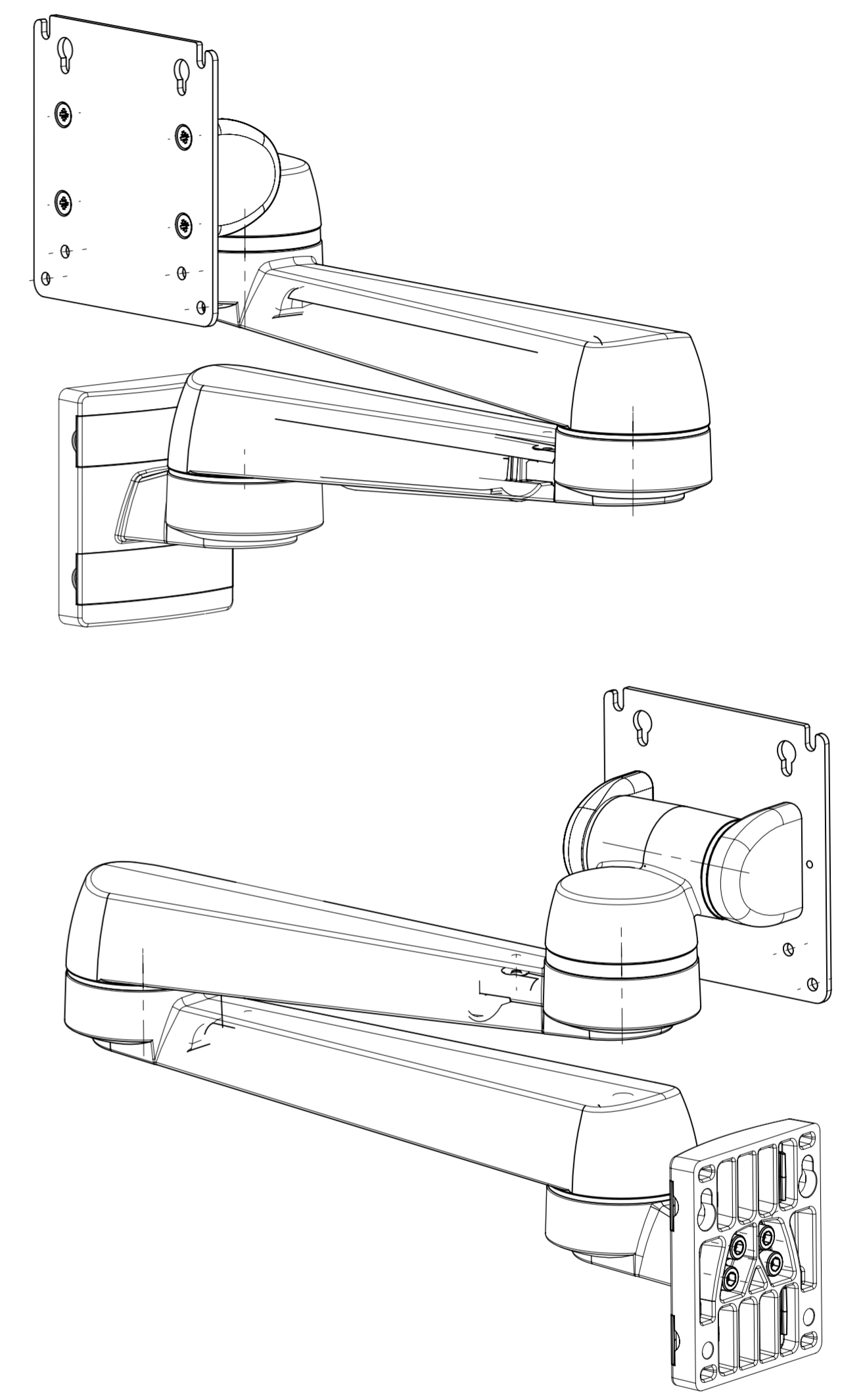
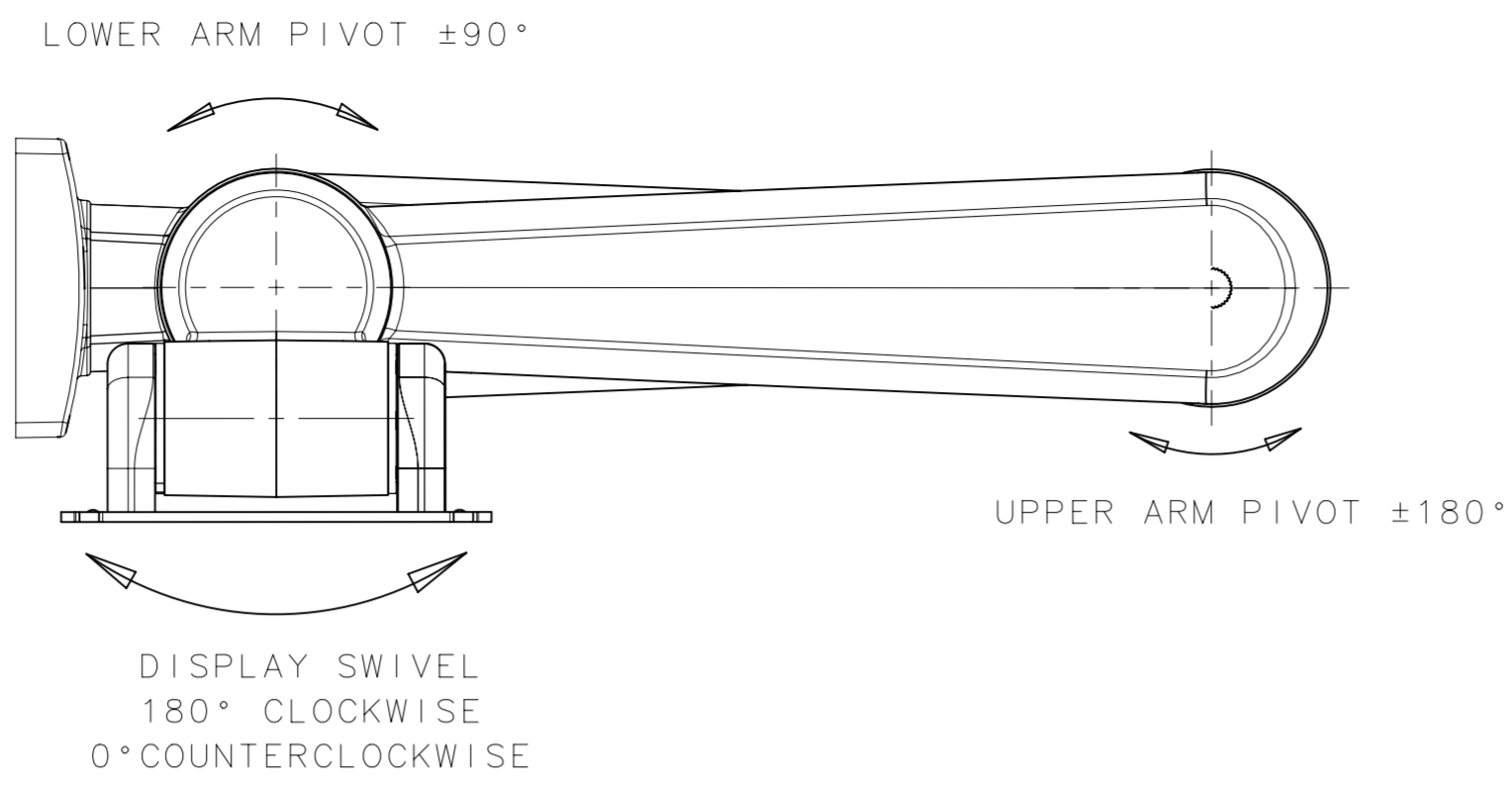


REVISION HISTORY			
REV	DATE	BY	DESCRIPTION
A	17JAN2018	SKB/TS	INITIAL RELEASE



- NOTES:
- TEST DATA FROM SOUTHCO TEST REPORT trAV-16829
  - DISPLAY MOUNT ARM WAS CYCLE TESTED FOR PIVOT AND SWIVEL AXIS AS COMPLETE ASSEMBLY WITH 18Kg TEST DISPLAY PANEL MOUNTED.
  - TILT TORQUE SPECIFICATION AT CYCLE LIFE OF 20,000 CYCLES AT 25% DUTY CYCLE AT SPEEDS LESS THAN 15 RPM.  
  
TILT FORWARD AND TILT REVERSE TORQUE MEASURED WITH THE DISPLAY IN THE VERTICAL,  $\pm 5^\circ$ , POSITION.
  - ALL LOADINGS TAKEN IN WORST CASE ORIENTATION WITH 650mm LONG ARM.
  - APPLIES FOR PART NUMBERS: YY = 50, 60, 61 AND 76

PART NUMBERS	DISPLAY TILT REVERSE TORQUE $\pm 20^\circ$ (Nm)	DISPLAY TILT FORWARD TORQUE (Nm) REFERENCE	SWIVEL TORQUE (Nm)	UPPER ARM PIVOT TORQUE (Nm)	LOWER ARM PIVOT TORQUE (Nm)	AVERAGE LOAD TO GIVE 2° DEFLECTION (N)	AVERAGE ULTIMATE LOAD (N)	CYCLE LIFE
AV-D40-50D141-YY	7.9	1.13	3.0 NOMINAL 1.5 MINIMUM	3.0 NOMINAL 1.5 MINIMUM	6.0 NOMINAL 3.0 MINIMUM	293	1054	20,000
AV-D40-50D142-YY	15.4	2.26						
AV-D40-50D143-YY	8.6	6.0						
AV-D40-50D144-YY	23.1	7.0						

THIRD ANGLE PROJECTION		 CONNECT · CREATE · INNOVATE	
MILLIMETERS [IN]			
TOLERANCES UNLESS OTHERWISE NOTED		DESCRIPTION	
UP TO 0.5	$\pm 0.05$	HINGE & CONTROLLED MOTION DEVICE AV-D40-50DXXX	
OVER 0.5 UP TO 6	$\pm 0.1$		
OVER 6 UP TO 30	$\pm 0.2$		
OVER 30	$\pm 0.3$		
ANGLES		$\pm 1^\circ$	
PROPRIETARY ITEM EXCEPT FOR USES EXPRESSLY GRANTED IN WRITING, INFORMATION DISCLOSED HEREIN IS CONFIDENTIAL AND ALL RIGHTS, PATENT AND OTHERWISE, ARE RESERVED BY SOUTHCO, INC.		SIZE SYSTEM A2 NX	DWG NO. TD-AV-D40-50D1XX-J
PER ASME Y14.5M-1994		DRAWN BY SKB	DATE 08NOV2017
		SCALE 1:1	SHEET 1 OF 1