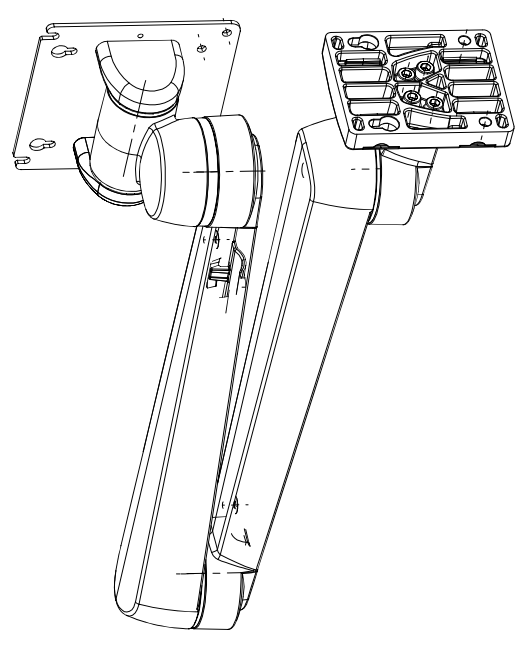
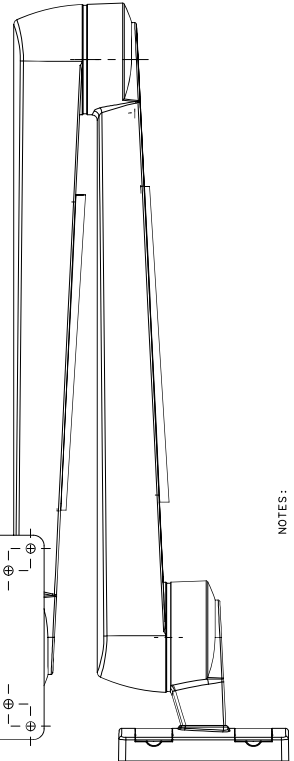
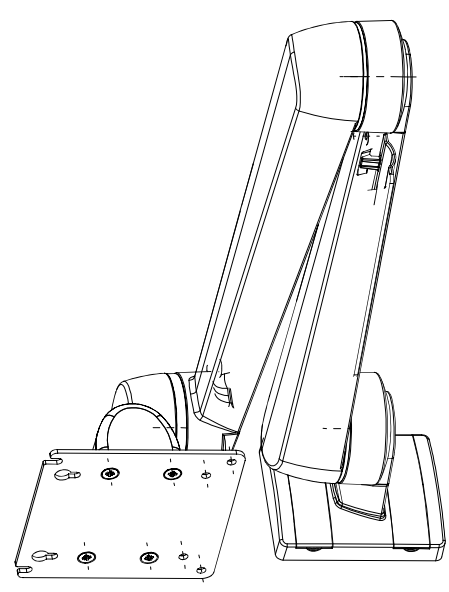
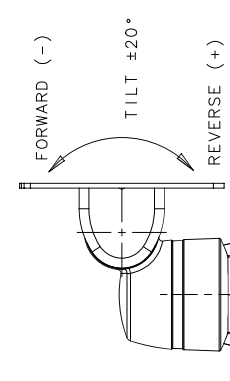
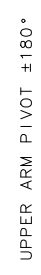
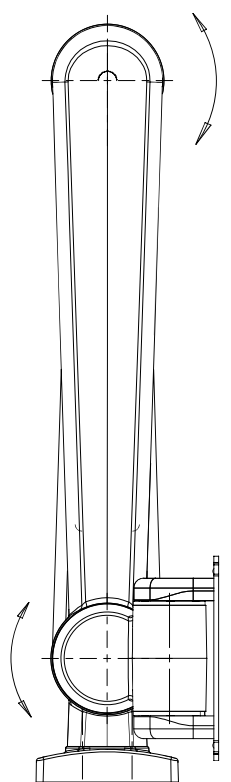


REVISION HISTORY	
REV	DATE
A	18 JAN 2018
SKB/TJS	
INITIAL RELEASE	



- NOTES:
1. TEST DATA FROM SOUTHCOC TEST REPORT TRA-16829
 2. DISPLAY MOUNT ARM WAS CYCLE TESTED FOR PIVOT AND SWIVEL AXIS AS COMPLETE ASSEMBLY WITH 18kg TEST DISPLAY PANEL MOUNTED.
 3. TILT TORQUE SPECIFICATION AT CYCLE LIFE OF 20,000 CYCLES AT 25% DUTY CYCLE AT SPEEDS LESS THAN 15 RPM.
 4. ALL LOADINGS TAKEN IN WORST CASE ORIENTATION WITH 650mm LONG ARM.
 5. APPLIES FOR PART NUMBERS: YY = 50, 60, 61 AND 76

PART NUMBERS	DISPLAY TILT TORQUE ±20° (Nm)	DISPLAY TILT FORWARD TORQUE (Nm) REFERENCE	SWIVEL TORQUE (Nm)	UPPER ARM TORQUE (Nm)	LOWER ARM TORQUE (Nm)	AVERAGE LOAD TO GIVE 2° DEFLECTION (N)	AVERAGE ULTIMATE LOAD (N)	CYCLE LIFE
AV-D40-65D141-YY	7.9	1.13	3.0 NOMINAL 1.5 MINIMUM	3.0 NOMINAL 1.5 MINIMUM	6.0 NOMINAL 3.0 MINIMUM	272	1054	20,000
AV-D40-65D142-YY	57.4	6.26						
AV-D40-65D144-YY	23.1	7.0						

THIRD ANGLE PROJECTION	
MILLIMETERS (IN)	
TOLERANCES UNLESS OTHERWISE NOTED	
UP TO 0.5	±0.05
OVER 0.5 UP TO 6	±0.1
OVER 6 UP TO 30	±0.3
OVER 30	±1*
ANGLES	±1°
PER ASME Y14.5M-1994	

southco
CONNECT-CREATE-INNOVATE

HINGE & CONTROLLED MOTION DEVICE
AV-D40-65DXXX

DATE: 18 JAN 2018
DRAWN BY: SKB
CHECKED BY: TJS
DATE: 09 NOV 2017
SCALE: 1:1
SHEET 1 OF 1