

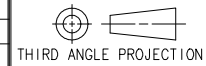


PROPRIETARY ITEM - EXCEPT FOR USES EXPRESSLY GRANTED IN WRITING INFORMATION DISCLOSED HEREON IS CONFIDENTIAL AND ALL RIGHTS PATENT AND OTHERWISE ARE RESERVED BY SOUTHCO, INC.

C5 SEALED LEVER LATCH

DATE	DRAWN	CHKD	SCALE	DRAWING NUMBER
31 JAN 95	AJ	RMP	NTS	TD-C5-01-J

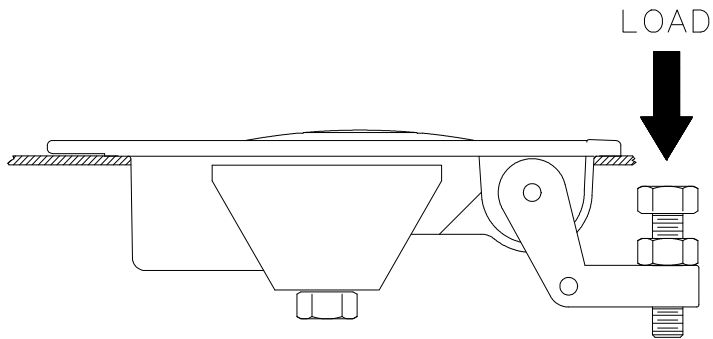
REV	DATE	DRAWN/CHKD	DESCRIPTION
A	19 JUL 00	GDM	SEE RECORD PRINT
B	09 APR 2002	GDM	UPDATE FORMAT
C	19 JUN 2015	CMS/DMS	PRN: P2015-1164



A4 PAPER SIZE

SOUTHCO PERFORMANCE GUIDELINES
 THE PERFORMANCE GUIDELINES SHOWN ON THIS PAGE ARE SUPPLIED AS A GENERAL GUIDE ONLY, AS CONDITIONS VARY WITH EACH APPLICATION AND METHOD OF INSTALLATION. STRENGTH DATA GIVEN IS FOR FAILURE OF THE PRODUCT OR FOR SUFFICIENT DEFORMATION TO MAKE PRODUCT INOPERABLE. NO SAFETY FACTOR HAS BEEN APPLIED IT IS RECOMMENDED THAT THE USER REQUEST A PRODUCT SAMPLE FOR TESTING TO DETERMINE THE SUITABILITY OF THE PRODUCT FOR THE PURPOSE INTENDED AND USER'S PARTICULAR APPLICATION.

PART NUMBER : C5-XX-XX



AVERAGE ULTIMATE LOAD	①	1100 N (250 LBS)
MAXIMUM RECOMMENDED WORKING LOAD	②	445 N (100 LBS)
MAXIMUM RECOMMENDED MOUNTING TORQUE	③	170 N cm (15 LBS-IN) all bracket sizes

- ① AVERAGE ULTIMATE LOAD causes failure of the product or sufficient deformation to make the product inoperable
- ② WORKING LOAD is the maximum force that the product will withstand without affecting the operation or appearance of the product.
- ③ RECOMMENDED TORQUE is the maximum force that the product will withstand without affecting the operation of the product