



PROPRIETARY ITEM - EXCEPT FOR USES EXPRESSLY GRANTED IN WRITING INFORMATION DISCLOSED HEREON IS CONFIDENTIAL AND ALL RIGHTS PATENT AND OTHERWISE ARE RESERVED BY SOUTHCO, INC.

C5 SMALL SEALED LEVER LATCH

| DATE | DRAWN | CHKD | SCALE | DRAWING NUMBER |
|-----------|-------|------|-------|----------------|
| 12SEP2005 | MDY | | | TD-C5-M-01-J |

| REV | DATE | DRAWN/CHKD | DESCRIPTION | | | | | | |
|-----|------|------------|-------------|--|--|--|--|--|--|
| | | | | | | | | | |



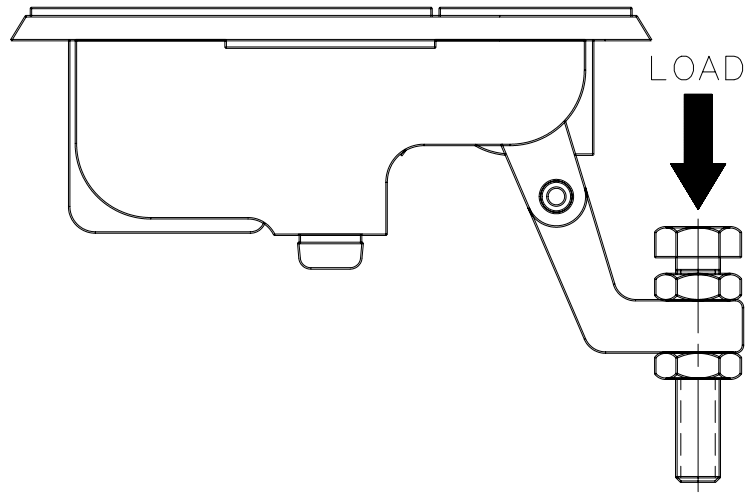
A4 PAPER SIZE

SOUTHCO PERFORMANCE GUIDELINES
 THE PERFORMANCE GUIDELINES SHOWN ON THIS PAGE ARE SUPPLIED AS A GENERAL GUIDE ONLY, AS CONDITIONS VARY WITH EACH APPLICATION AND METHOD OF INSTALLATION. STRENGTH DATA GIVEN IS FOR FAILURE OF THE PRODUCT OR FOR SUFFICIENT DEFORMATION TO MAKE PRODUCT INOPERABLE. NO SAFETY FACTOR HAS BEEN APPLIED IT IS RECOMMENDED THAT THE USER REQUEST A PRODUCT SAMPLE FOR TESTING TO DETERMINE THE SUITABILITY OF THE PRODUCT FOR THE PURPOSE INTENDED AND USER'S PARTICULAR APPLICATION.

PART NUMBERS:
 C5-M-X1-XX
 C5-M-X1-XXX

GRIP RANGE:
 1-25mm

GRIP RANGE:
 15-30mm



| | | | |
|-------------------------------------|---|----------------------|--------------------|
| | ① | 640 N (140 LBS) | 580 N (130 LBS) |
| AVERAGE ULTIMATE LOAD | | | |
| | ② | 290 N (65 LBS) | 170 N (40 LBS) |
| MAXIMUM RECOMMENDED WORKING LOAD | | | |
| | ③ | 285 N-cm (25 LBS-IN) | |
| MAXIMUM RECOMMENDED MOUNTING TORQUE | | | |

- ① AVERAGE ULTIMATE LOAD causes failure of the product or sufficient deformation to make the product inoperable.
- ② WORKING LOAD is the maximum force that the product will withstand without affecting the operation or appearance of the product.
- ③ RECOMMENDED TORQUE is the maximum force that the product will withstand without affecting the operation of the product.