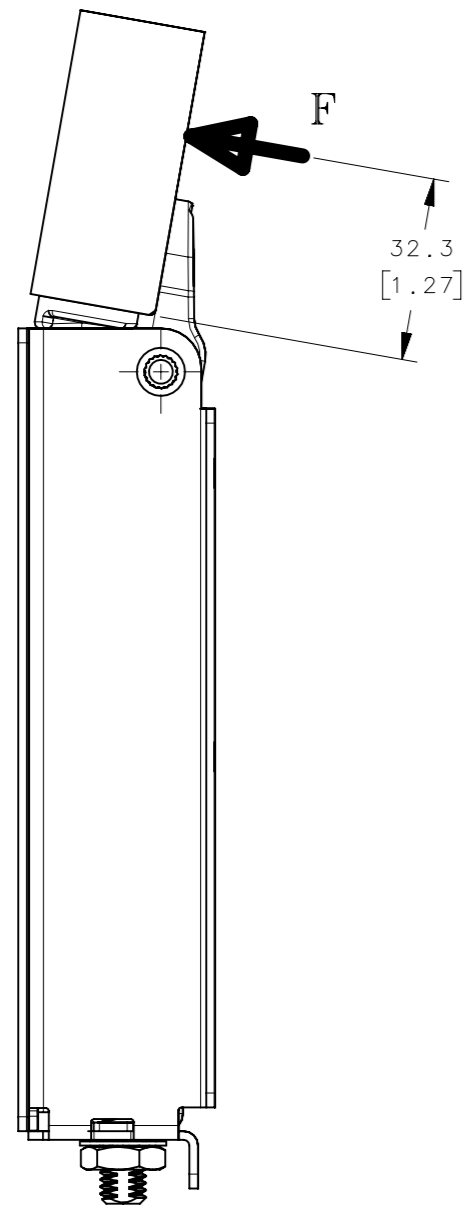
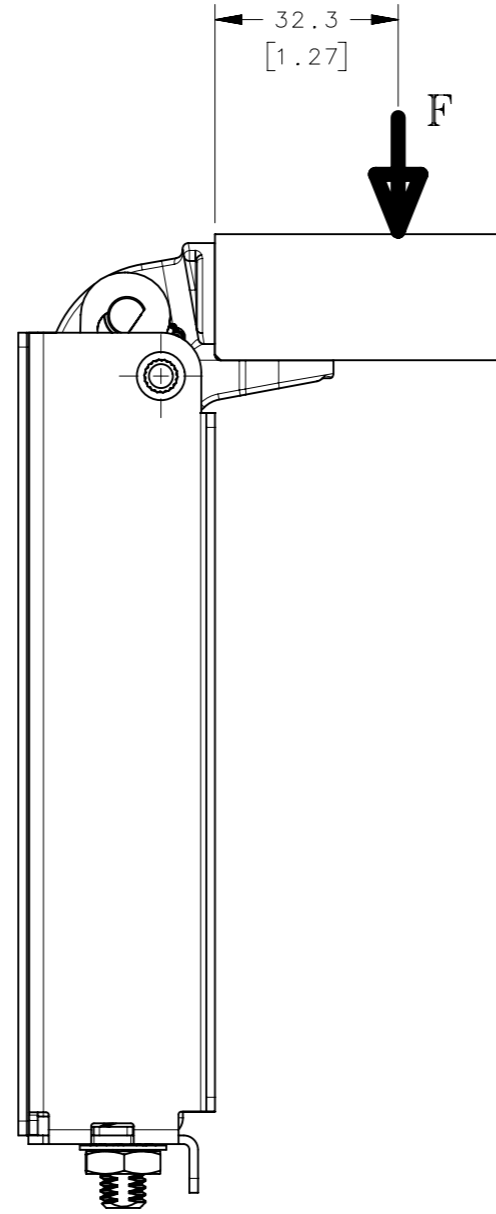


| REVISION HISTORY | | | |
|------------------|-----------|---------|-----------------|
| REV | DATE | BY | DESCRIPTION |
| B | 31MAR2017 | CMS/LCR | PRN: P2017-0755 |

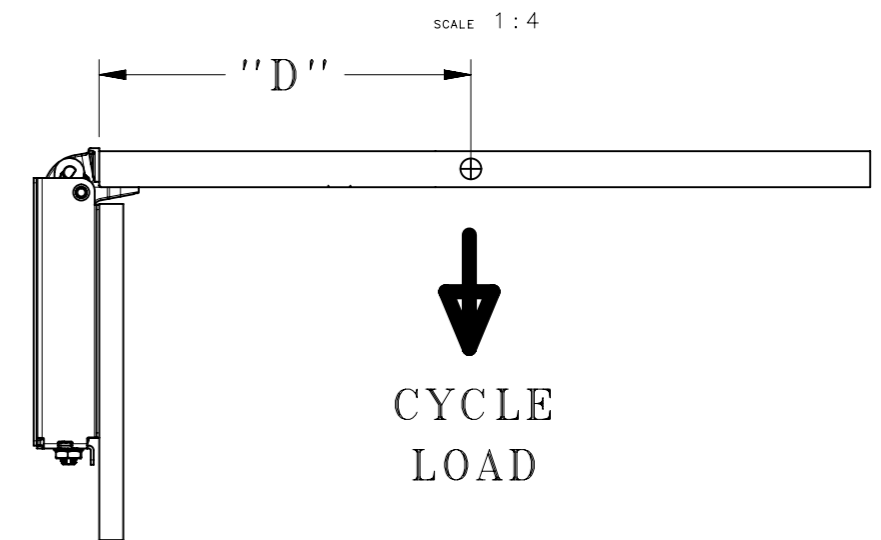
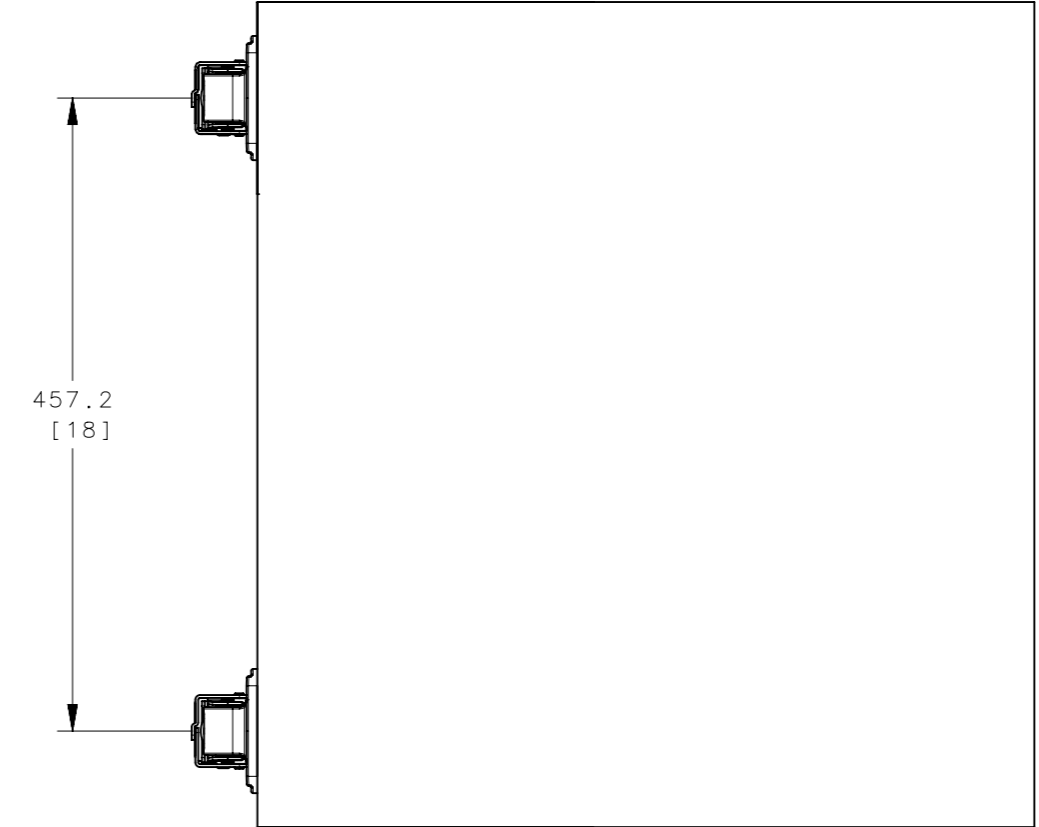
RADIAL LOAD
OPEN DIRECTION



RADIAL LOAD
CLOSED DIRECTION



CYCLE TEST SET-UP



SOUTHCO PERFORMANCE GUIDELINES:
THE PERFORMANCE GUIDELINES SHOWN ON THIS PAGE ARE SUPPLIED AS A GENERAL GUIDE ONLY, AS CONDITIONS VARY WITH EACH APPLICATION AND METHOD OF INSTALLATION. STRENGTH DATA GIVEN IS FOR FAILURE OF THE PRODUCT OR FOR SUFFICIENT DEFORMATION TO MAKE THE PRODUCT INOPERABLE. NO SAFETY FACTOR HAS BEEN APPLIED. IT IS RECOMMENDED THAT THE USER REQUEST A PRODUCT SAMPLE FOR TESTING TO DETERMINE THE SUITABILITY OF THE PRODUCT FOR THE PURPOSE INTENDED AND USER'S PARTICULAR APPLICATION.

NOTES:
A. HINGE INTENDED FOR USE IN THE ORIENTATION SHOWN ABOVE WHERE THE CLOSED POSITION 0° IS HORIZONTAL AND THE OPEN POSITION IS 80° MAXIMUM FROM HORIZONTAL.

REF: trCA-23350
trCA-26040

| PART NUMBERS | "D" mm[in] LID MOUNTING SURFACE TO CG DISTANCE | AVERAGE ULTIMATE RADIAL LOAD OPEN DIRECTION N[1b] | AVERAGE ULTIMATE RADIAL LOAD CLOSED DIRECTION N[1b] | CYCLE LIFE AT MAXIMUM WORKING TORQUE | THIRD ANGLE PROJECTION | DESCRIPTION | | |
|--------------|---|---|---|--------------------------------------|---|--|----------------------|--------------------|
| | | | | | MILLIMETERS [IN] | | COUNTERBALANCE HINGE | |
| CA-50-101-50 | 225.4 [8.88] | 4400 [989] | 1325 [298] | 40,000 | ALL DIMENSIONS WITHOUT TOLERANCES ARE FOR REFERENCE ONLY. PER ASME Y14.5M-1994 | SIZE A3 | SYSTEM NX | DWG NO. TD-CA-50-J |
| CA-50-102-50 | 309.6 [12.19] | | | 40,000 | | PROPRIETARY ITEM EXCEPT FOR USES EXPRESSLY GRANTED IN WRITING, INFORMATION DISCLOSED HEREON IS CONFIDENTIAL AND ALL RIGHTS, PATENT AND OTHERWISE, ARE RESERVED BY SOUTHCO, INC. | DRAWN BY LCR | DATE 14APR2016 |