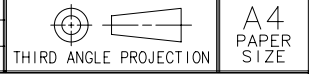
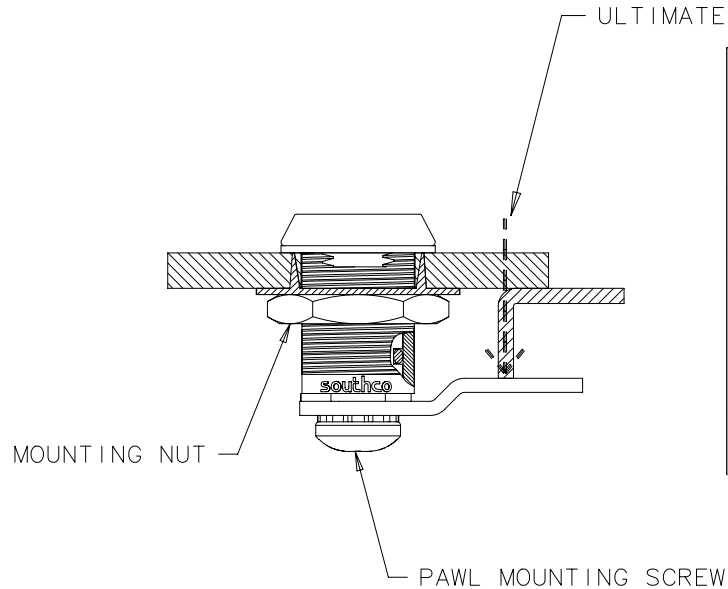


REV	DATE	DRAWN/CHKD	DESCRIPTION							
A	26MAR2004	MJS	ADDED NOTE 4							
B	30JUN2006	MJS	UPDATED TORQUE, TABLE AND GRAPHICS							



SOUTHCO PERFORMANCE GUIDELINES
 THE PERFORMANCE GUIDELINES SHOWN ON THIS PAGE ARE SUPPLIED AS A GENERAL GUIDE ONLY, AS CONDITIONS VARY WITH EACH APPLICATION AND METHOD OF INSTALLATION. STRENGTH DATA GIVEN IS FOR FAILURE OF THE PRODUCT OR FOR SUFFICIENT DEFORMATION TO MAKE PRODUCT INOPERABLE. NO SAFETY FACTOR HAS BEEN APPLIED IT IS RECOMMENDED THAT THE USER REQUEST A PRODUCT SAMPLE FOR TESTING TO DETERMINE THE SUITABILITY OF THE PRODUCT FOR THE PURPOSE INTENDED AND USER'S PARTICULAR APPLICATION.



TEST DESCRIPTION		CM-1-XXXXX-XX CM-2-XXXXX-XXX CM-3-XXXXX-XXX CM-5-XXXXX-XXX CM-6-XXXXX-XXX
AVERAGE ULTIMATE LOAD	①	180 N
MAXIMUM RECOMMENDED MOUNTING NUT TIGHTENING TORQUE	②	5 N•m
MAXIMUM RECOMMENDED PAWL SCREW TIGHTENING TORQUE	③	4 N•m
CYCLE LIFE	④	25,000 AT NO LOAD

- ① AVERAGE ULTIMATE LOAD CAUSES FAILURE OF THE PRODUCT OR SUFFICIENT DEFORMATION TO MAKE THE PRODUCT INOPERABLE.
- ② FAILURE OCCURED WHEN THE THREADS ON THE HOUSING STRIPPED.
- ③ FAILURE OCCURED WHEN THE PHILLIPS RECESS STRIPPED.
- ④ PRODUCT TESTED DID NOT CONTAIN A DUST SHUTTER.