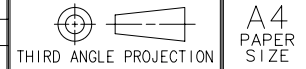
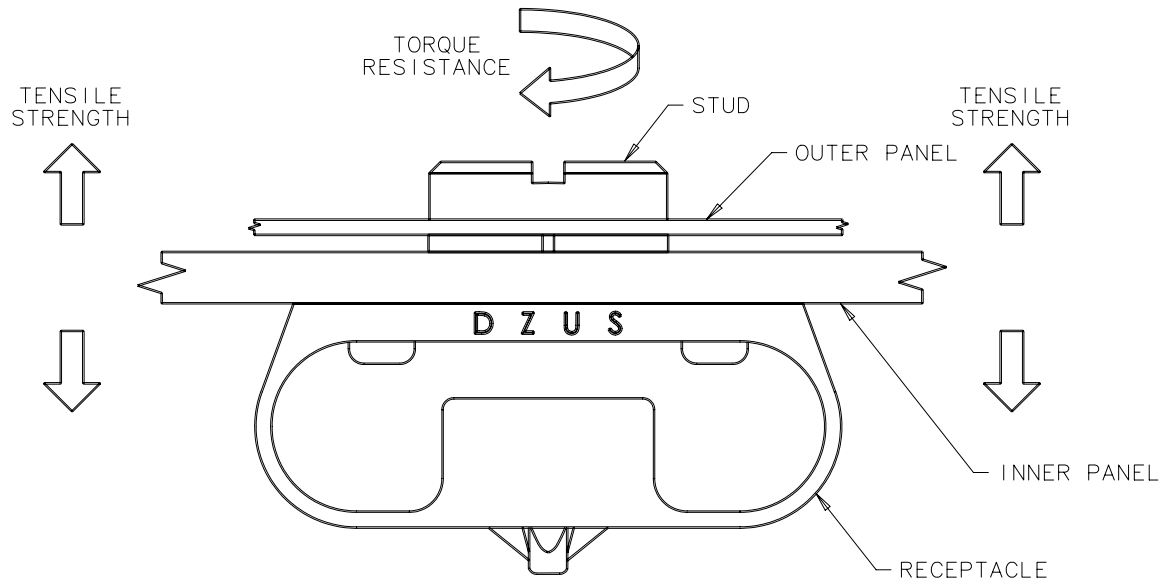


REV	DATE	DRAWN/CHKD	DESCRIPTION



SOUTHCO PERFORMANCE GUIDELINES
 THE PERFORMANCE GUIDELINES SHOWN ON THIS PAGE ARE SUPPLIED AS A GENERAL GUIDE ONLY, AS CONDITIONS VARY WITH EACH APPLICATION AND METHOD OF INSTALLATION. STRENGTH DATA GIVEN IS FOR FAILURE OF THE PRODUCT OR FOR SUFFICIENT DEFORMATION TO MAKE PRODUCT INOPERABLE. NO SAFETY FACTOR HAS BEEN APPLIED. IT IS RECOMMENDED THAT THE USER REQUEST A PRODUCT SAMPLE FOR TESTING TO DETERMINE THE SUITABILITY OF THE PRODUCT FOR THE PURPOSE INTENDED AND USER'S PARTICULAR APPLICATION.



A D1-004-XXX-030 STUD WAS USED IN TESTING.

RECEPTACLE PART NUMBER	AVERAGE ULTIMATE TENSILE STRENGTH ^①	MAXIMUM TORQUE RESISTANCE ^②	MINIMUM CYCLE LIFE ^③
D1-004-001-010	1250 N (281 LBS.)	2.9 Nm (25.7 IN-LBS.)	5000 CYCLES

- ① Average ULTIMATE LOAD causes failure of the product or sufficient deformation to make the product inoperable.
- ② MAXIMUM TORQUE RESISTANCE is the torque that causes the failure of the stud or causes the stud to override the receptacle stop.
- ③ CYCLE LIFE: A cycle is one fastening and one unfastening of the quarter-turn assembly. Parts were tested using nominal panel thickness and total material thickness.