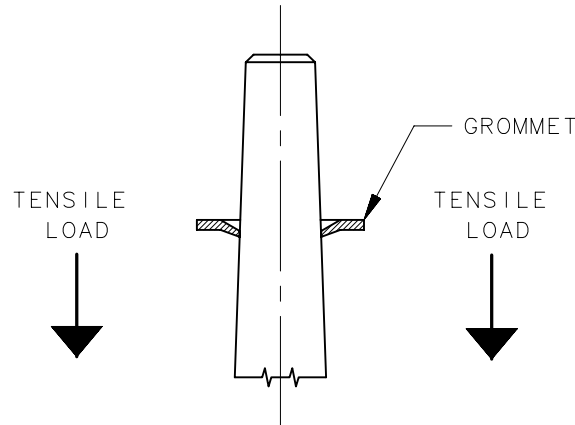


REVISION HISTORY			
REV	DATE	BY	DESCRIPTION
A	27NOV2013	DMS/SP	PRN: P2013-2378

SOUTCO PERFORMANCE GUIDELINES

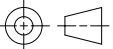

THE PERFORMANCE GUIDELINES SHOWN ON THIS PAGE ARE SUPPLIED AS A GENERAL GUIDE ONLY, AS CONDITIONS VARY WITH EACH APPLICATION AND METHOD OF INSTALLATION. STRENGTH DATA GIVEN IS FOR FAILURE OF THE PRODUCT OR FOR SUFFICIENT DEFORMATION TO MAKE PRODUCT INOPERABLE. NO SAFETY FACTOR HAS BEEN APPLIED IT IS RECOMMENDED THAT THE USER REQUEST A PRODUCT SAMPLE FOR TESTING TO DETERMINE THE SUITABILITY OF THE PRODUCT FOR THE PURPOSE INTENDED AND USER'S PARTICULAR APPLICATION.



PART NUMBER TESTED	AVERAGE DIAMETER OF SHAFT MEASURED AT FAILURE POINT OF GROMMET	
	HIGH DENSITY POLYETHYLENE	POLYPROPYLENE
D4-GP5B	Ø 7.58	Ø 12.66

- ① PRODUCT TO BE FORCED OVER TAPERED SHAFT UNTIL CAUSES FAILURE, OR SUFFICIENT DEFORMATION TO MAKE THE PRODUCT INOPERABLE.

REF.: TR D4-14800

	THIRD ANGLE PROJECTION 	 CONNECT • CREATE • INNOVATE			
	MILLIMETERS [IN]				
SURFACE AREA	TOLERANCES UNLESS OTHERWISE NOTED	DESCRIPTION PLASTIC HALF GROMMET TYPE GP5			
VOLUME	ALL DIMENSIONS WITHOUT TOLERANCES ARE FOR REFERENCE ONLY.	SIZE A4	SYSTEM NX	DWG NO. TD-D4-GP5-J	
PROPRIETARY ITEM <small>EXCEPT FOR USES EXPRESSLY GRANTED IN WRITING, INFORMATION DISCLOSED HEREON IS CONFIDENTIAL AND ALL RIGHTS, PATENT AND OTHERWISE, ARE RESERVED BY SOUTHCO, INC.</small>	PER ASME Y14.5M-1994	DRAWN BY DMS/SP	DATE 27NOV2013	SCALE 2:1	SHEET 1 OF 1