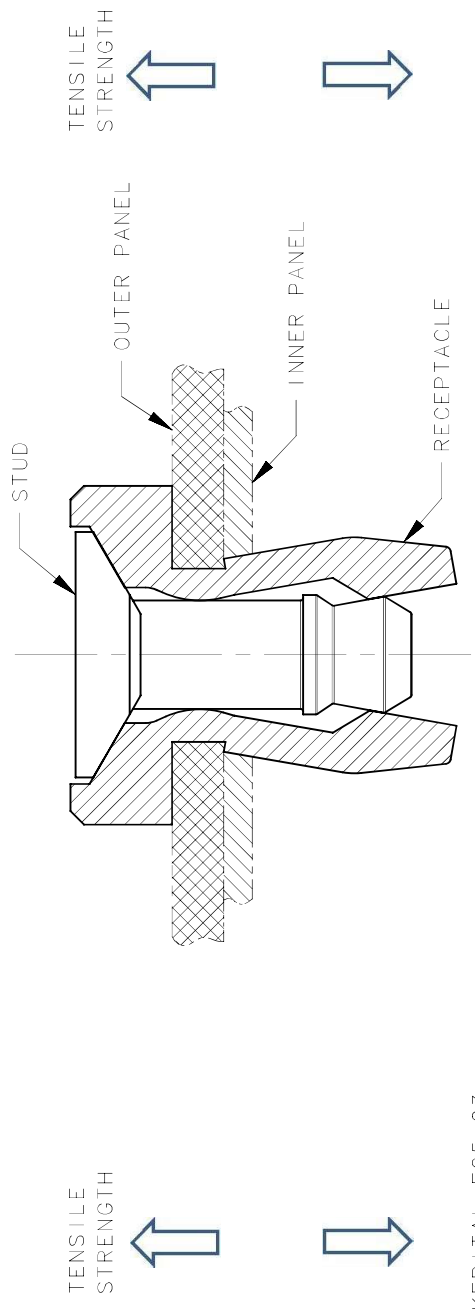


REVISION HISTORY			
REV	DATE	BY	DESCRIPTION
A	04JUL2012	DMS/MP	NEW RELEASE

SOUTCO PERFORMANCE GUIDELINES

THE PERFORMANCE GUIDELINES SHOWN ON THIS PAGE ARE SUPPLIED AS A GENERAL GUIDE ONLY. AS CONDITIONS VARY WITH EACH APPLICATION AND METHOD OF INSTALLATION, STRENGTH DATA GIVEN IS FOR FAILURE OF THE PRODUCT OR FOR SUFFICIENT DEFORMATION TO MAKE PRODUCT INOPERABLE. NO SAFETY FACTOR HAS BEEN APPLIED IT IS RECOMMENDED THAT THE USER REQUEST A PRODUCT SAMPLE FOR TESTING TO DETERMINE THE SUITABILITY OF THE PRODUCT FOR THE PURPOSE INTENDED AND USER'S PARTICULAR APPLICATION.



*NEW RESIN MATERIAL - KEPITAL F25-03.
 **OLD RESIN MATERIAL - CELCON TX90.

PARTS NUMBERS TESTED AS ASSEMBLY	AVERAGE ULTIMATE ^① TENSILE STRENGTH	
	D7-200-7XX-010 (STUD)	NEW KEPITAL F25-03 *
D7-200-802-010 (RECEPTACLE)	1500 N (337 lbs)	1030 N (231 lbs)

① AVERAGE ULTIMATE LOAD CAUSES FAILURE OF THE PRODUCT OR SUFFICIENT DEFORMATION TO MAKE THE PRODUCT INOPERABLE.

REF.: TR D7-11067,
 TR D7-10091.

THIRD ANGLE PROJECTION		MILLIMETERS [IN]	
SURFACE AREA		TOLERANCES UNLESS OTHERWISE NOTED	
VOLUME		ALL DIMENSIONS WITHOUT TOLERANCES ARE FOR REFERENCE ONLY.	
PROPRIETARY ITEM EXCEPT FOR USES EXPRESSLY GRANTED IN WRITING, INFORMATION DISCLOSED HEREIN IS UNCLASSIFIED. ALL RIGHTS, PATENT AND OTHERWISE, ARE RESERVED BY SOUTHCO, INC.		PER ASME Y14.5M-1994	
		NO. D7 ARROW QUARTER TURN FASTENER	
CONNECT • CREATE • INNOVATE		DWG NO. TD-D7-1-J SYSTEM NX	DATE 04JUL2012 SCALE 3:1
DRAWN BY DMS/MP		SHEET 1 OF 1	